

MODERN CM

Architectural Post-top Luminaire Modern Center Mount

INSTALLATION MANUAL

PRODUCT PARAMETER

INPUT VOLTAGE	120 - 277Vac, 277-480Vac
DISTRIBUTION	Type V
WORKING TEMP.	-40°F~122°F



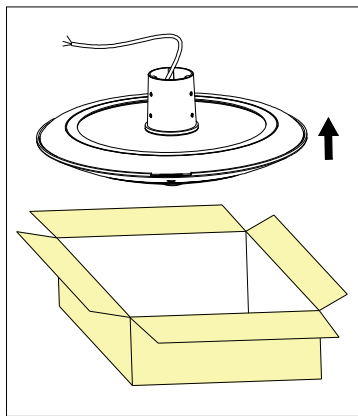
SAFETY INFORMATION

BE SURE THE POWER IS OFF! RISK OF ELECTRICAL SHOCK: Always use the switch to power off. Do not perform any operations while this unit is powered on. The electrical system you want to connect the device to must be grounded. Read the instructions before using or powering this device. The safety instructions must remain with the unit in case of transfer. Any damage to the device linked to an inappropriate use is excluded from support by the warranty. Before connecting, make sure that the current and voltage are compatible with this device. We highly recommend that all installations are made by QUALIFIED ELECTRICIAN. We are NOT responsible by any means for the use or misuse of the following information. We are NOT responsible in whole or part for any harm or damage that may or may not be caused. We reserve the right to revise the components of any product, due to part availability or change ETL, CUL, UL standards without assuming any obligation or liability to modify any products previously manufactured and without notice. These instructions do not cover all details of variations in equipment, nor do they provide every possible contingency to be met. Turn off / unplug power when installing or service device.

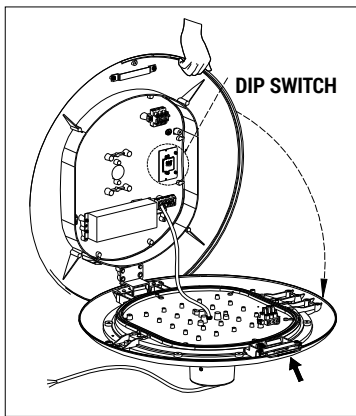
PRE - INSTALLATION

- Read carefully before installing fixture. Retain for future reference.
- Failure to follow instructions may result in serious injury or death
- Upon receipt the fixture, thoroughly inspect for any freight damage which should be brought to the attention of the delivery carrier. Compare the catalog description listed on the package slip with the fixture label on the housing to assure you have received material.
- This fixture must be wired in accordance with the international electrical code and applicable local codes and ordinances. Proper grounding is required to insure personal safety. Carefully observe the correct grounding procedure under installation section.

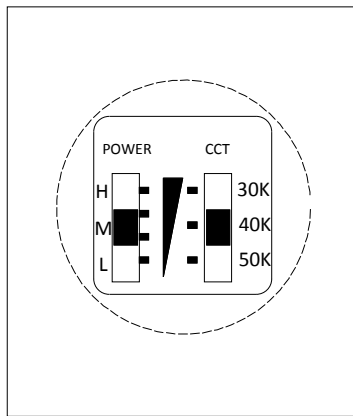
POST TOP CENTER MOUNT INSTALLATION (Caution: Before beginning installation turn off the circuit breaker and light switch)



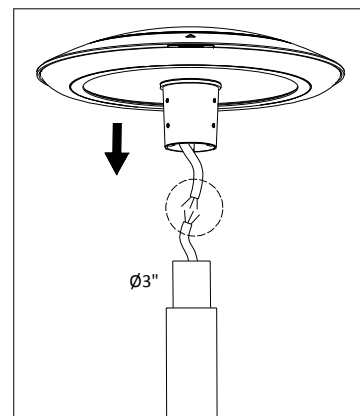
Step 1: Inspect the package and take out the luminaire.



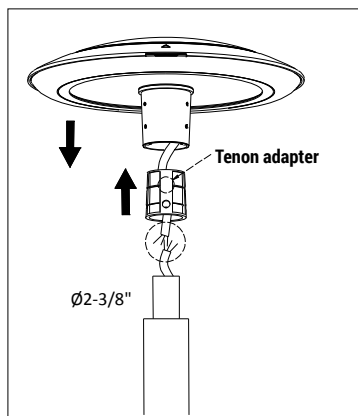
Step 2: Press the latch to open the luminaire and change to desired output.



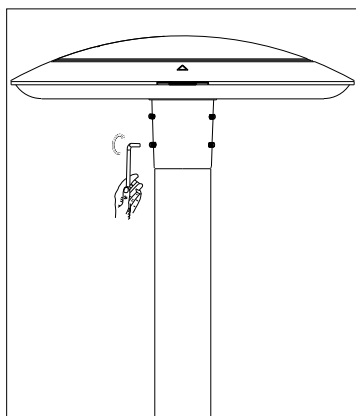
Step 3: DIP switch to pick desired lumen (left) and color temperature (right).



Step 4a: Connect the L/N/G wire to power lead (refer to wiring diagram), install the luminaire to the pole with 3inch tenon.



Step 4b: When install to a 2-3/8" tenon, slip fit with the provided tenon adapter.



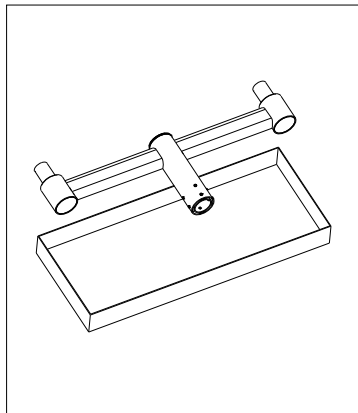
Step 5: Fasten the luminaire with the provided bolts.

MODERN CM

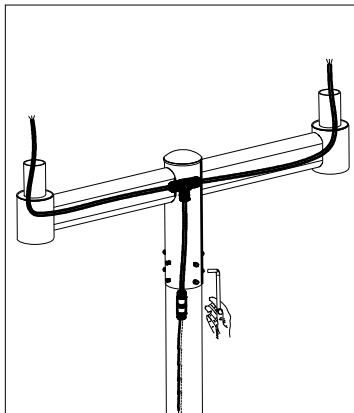
Architectural Post-top Luminaire Modern Center Mount

INSTALLATION MANUAL

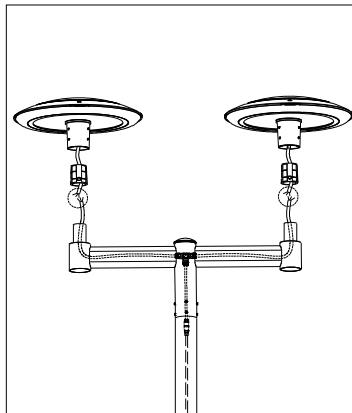
POST TOP DUAL MOUNT INSTALLATION (Caution: Before beginning installation turn off the circuit breaker and light switch)



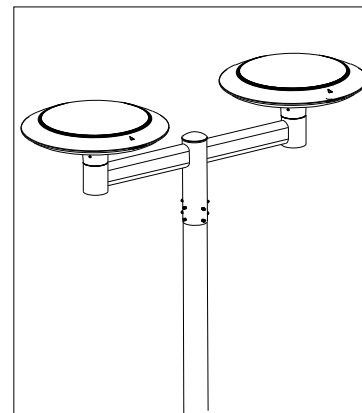
Step 1: The dual mount bracket is sold separately coming with power cables.(P/N:PT-DM)



Step 2: Install dual bracket: Wire the L/ N/G to the power leads, and fasten the bracket to the pole with provided bolts.

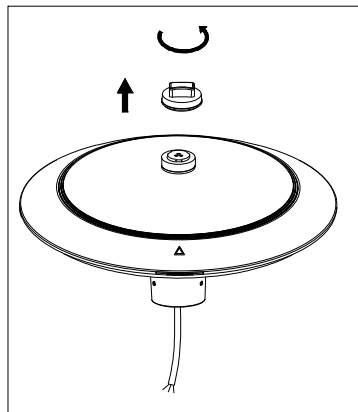


Step 3: Install luminaires to dual bracket: Wire the L/N/G to the power leads, and fasten to the bracket with provided bolts.

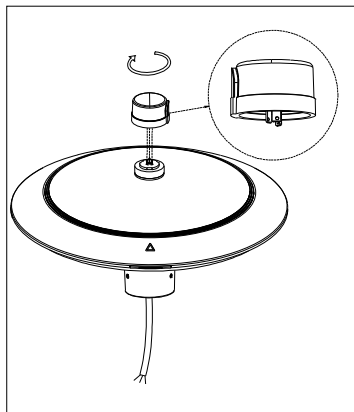


Step 4: Make sure every bolt is fasten evenly and tightly.

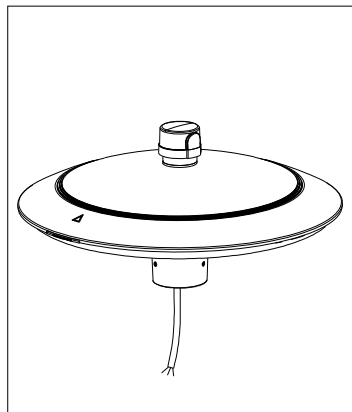
POST TOP PHOTOCELL INSTALLATION (Caution: Before beginning installation turn off the circuit breaker and light switch)



Step 1: Remove the shorting cap.

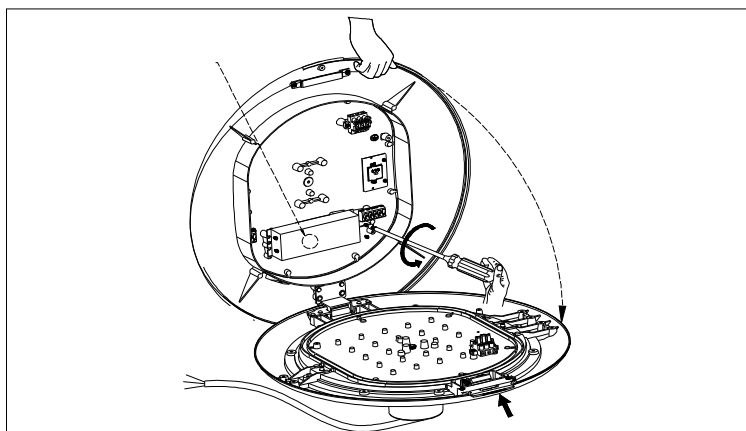


Step 2: Plug and Twist to install photocell.



Step 3: Completed.

MAINTENANCE-DRIVER REPLACEMENT (Caution: Before beginning installation turn off the circuit breaker and light switch)



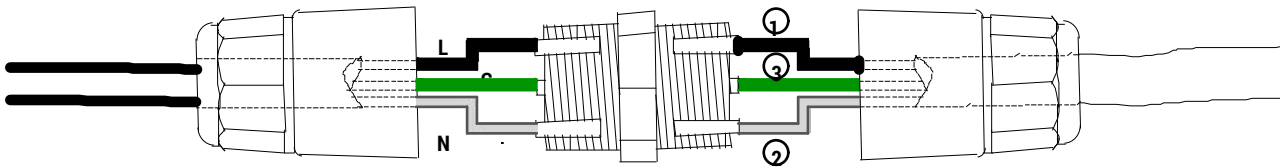
Step 1: Press the latch to open luminaire.
Step 2: Remove the fault driver.
Step 3: Replace with the new driver.

MODERN CM

Architectural Post-top Luminaire Modern Center Mount

INSTALLATION MANUAL

WIRING DIAGRAM (Caution: Before beginning installation turn off the circuit breaker and light switch)



Standard 3-wire Wiring

- No. ① connects to Black LINE
- No. ② connects to White NEUTRAL
- No. ③ connects to Green GROUND