

# INSTALLATION MANUAL

## PRODUCT PARAMETER

INPUT VOLTAGE	120 - 277V
DISTRIBUTION	TS(360 degree);TA(180 degree)
WORKING TEMP.	-40°F~122°F



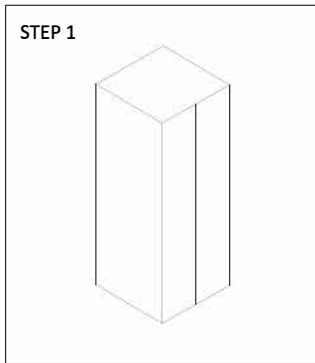
## SAFETY INFORMATION

**BE SURE THE POWER IS OFF! RISK OF ELECTRICAL SHOCK:** Always use the switch to power off. Do not perform any operations while this unit is powered on. The electrical system you want to connect the device to must be grounded. Read the instructions before using or powering this device. The safety instructions must remain with the unit in case of transfer. Any damage to the device linked to an inappropriate use is excluded from support by the warranty. Before connecting, make sure that the current and voltage are compatible with this device. We highly recommend that all installations are made by QUALIFIED ELECTRICIAN. We are NOT responsible by any means for the use or misuse of the following information. We are NOT responsible in whole or part for any harm or damage that may or may not be caused. We reserve the right to revise the components of any product, due to part availability or change ETL, CUL, UL standards without assuming any obligation or liability to modify any products previously manufactured and without notice. These instructions do not cover all details of variations in equipment, nor do they provide every possible contingency to be met. Turn off / unplug power when installing or service device.

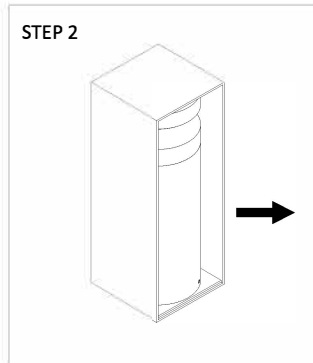
## PPRE - INSTALLATION

- Read carefully before installing fixture. Retain for future reference.
- Failure to follow instructions may result in serious injury or death
- Upon receipt the fixture, thoroughly inspect for any freight damage which should be brought to the attention of the delivery carrier. Compare the catalog description listed on the package slip with the fixture label on the housing to assure you have received material.
- This fixture must be wired in accordance with the international electrical code and applicable local codes and ordinances. Proper grounding is required to insure personal safety. Carefully observe the correct grounding procedure under installation section.

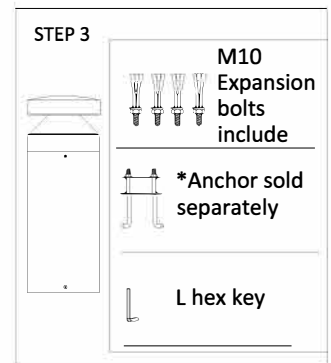
## PACKAGING INFORMATION



Inspect the packaging.

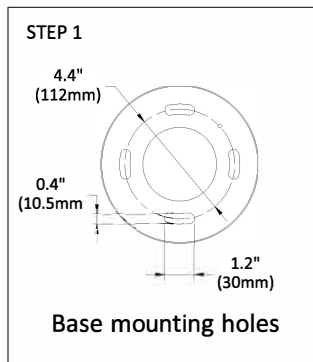


Open the package & check included accessories.

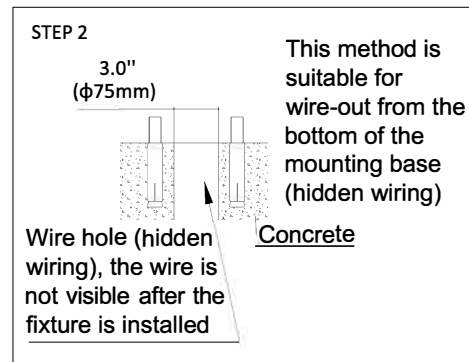


Carefully Take out fixture and accessory "L" hex key.

## EXPANSION BOLTS INSTALLATION (Caution: Before beginning installation turn off the circuit breaker and light switch)



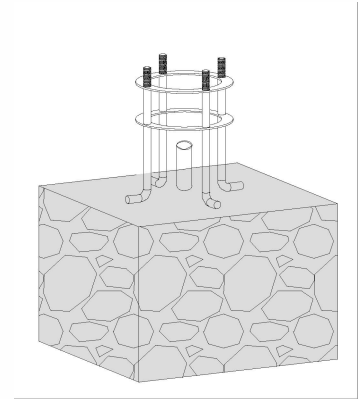
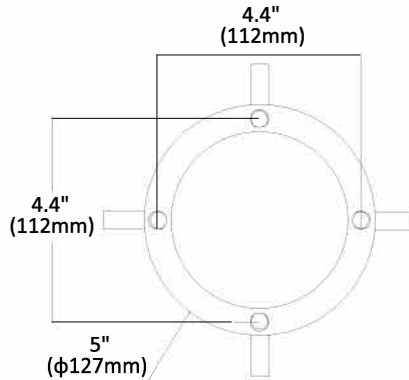
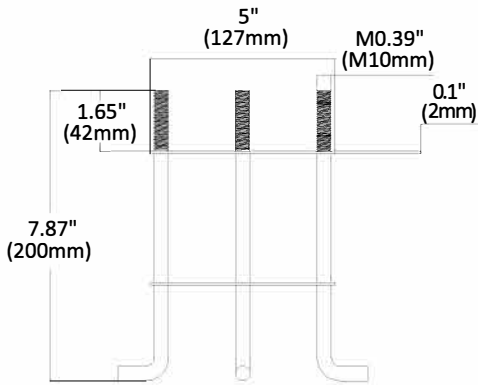
Mark the drilling position on the cement floor with the Bollard base, and drill the four screw positions.



Install Expansion bolts on the fixed surface.

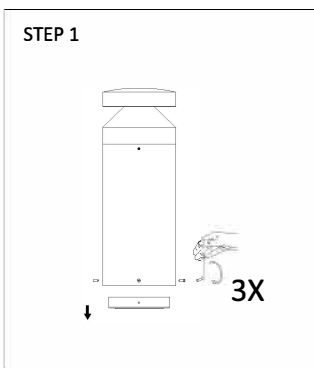
INSTALLATION MANUAL

ANCHOR BASE INSTALLATION (Caution: Before beginning installation turn off the circuit breaker and light switch)

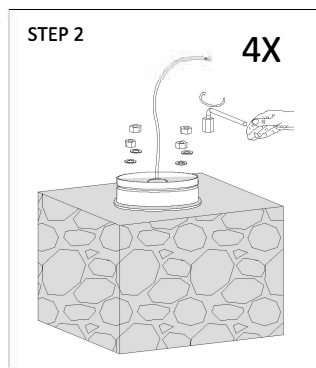


Building the anchor into concrete foundation using the removed base as template. And run conduit up to the anchor center.

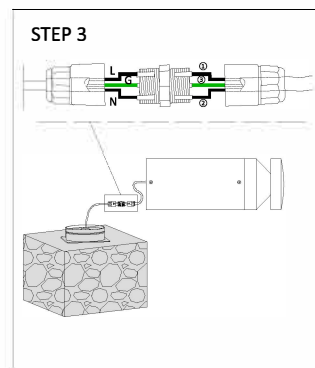
BOLLARDS INSTALLATION (Caution: Before beginning installation turn off the circuit breaker and light switch)



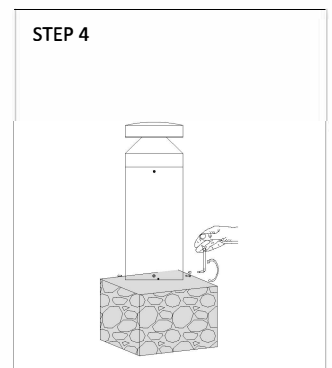
Unfasten the grub screws of housing bottom and remove the bollard base.



Level the base and fasten with provided washers and nuts



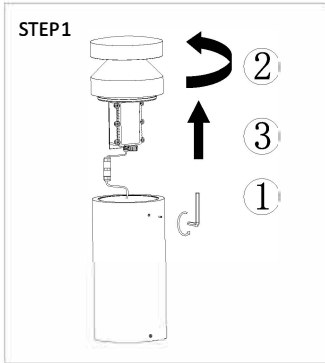
Connect the incoming power leads to the fixture power cords. Check the wiring diagram on page 3. (The wiring position needs to be waterproof, can choose waterproof connector or waterproof junction box, etc.)



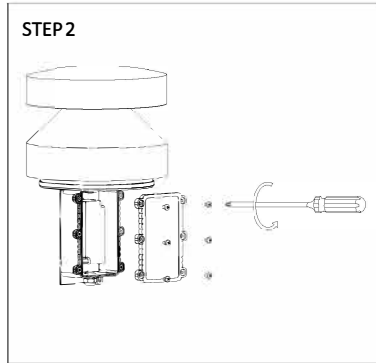
Fasten the housing to the base. Orients correctly for TYPE III fixtures as per arrow mark points

# INSTALLATION MANUAL

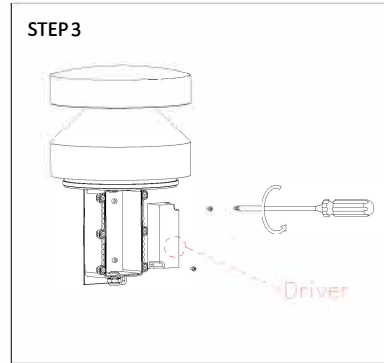
**MAINTENANCE-REPLACE DRIVER**(Caution: Before beginning replacement turn off the circuit breaker and light switch)



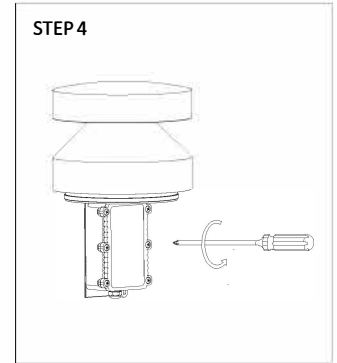
Unfasten the setting screw,remove the bollard head



Unscrew the four screws of waterproof junction box



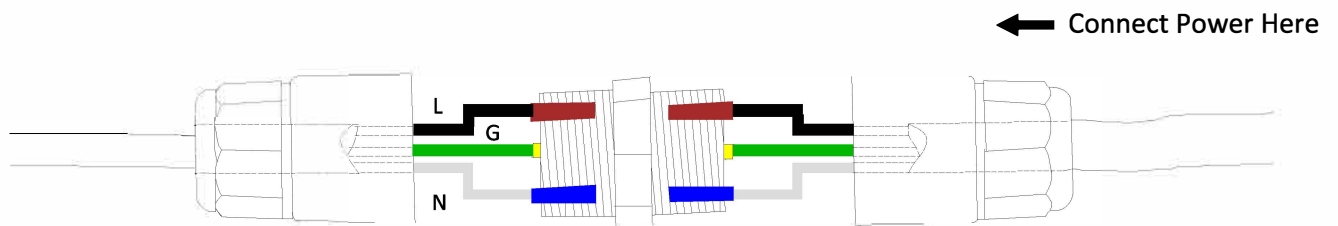
Unscrew the fixed metal strip and replace with new driver following the same wiring



Reinstall according to the disassembly steps

**WIRING DIAGRAM** (Caution: Before beginning installation turn off the circuit breaker and light switch)

NOTE: Standard 3 wires connection.



Standard 3-wire Wiring

Black LINE connects to Brown-L  
White Neutral connects to Blue-N  
Green Ground connects to Yellow-G