

# DFLV WALL&MULLION MOUNT

LINEAR VANDAL RESISTANT DEFENDER

## INSTALLATION MANUAL

PRODUCT PARAMETER	
INPUT VOLTAGE	120 - 277V
DISTRIBUTION	FULL CUTOFF
WORKING TEMP.	-40°F ~ 131°F / 32°F ~ 122°F EM -13°F ~ 122°F Cold weather EM



### SAFETY INFORMATION

**BE SURE THE POWER IS OFF! RISK OF ELECTRICAL SHOCK:** Always use the switch to power off. Do not perform any operations while this unit is powered on. The electrical system you want to connect the device to must be grounded. Read the instructions before using or powering this device. The safety instructions must remain with the unit in case of transfer. Any damage to the device linked to an inappropriate use is excluded from support by the warranty. Before connecting, make sure that the current and voltage are compatible with this device. We highly recommend that all installations are made by QUALIFIED ELECTRICIAN. We are NOT responsible by any means for the use or misuse of the following information. We are NOT responsible in whole or part for any harm or damage that may or may not be caused. We reserve the right to revise the components of any product, due to part availability or change ETL, CUL, UL standards without assuming any obligation or liability to modify any products previously manufactured and without notice. These instructions do not cover all details of variations in equipment, nor do they provide every possible contingency to be met. Turn off / unplug power when installing or service device.

### WARNING

**WARNING:** Read all safety precautions and installation instructions carefully before installing or servicing this fixture. Failure to comply with these instructions could result in a potentially fatal electric shock, fire, and/or property damage.

- Risk of fire or electric shock. Basic safety precautions should always be followed when using electrical equipment. · This product must be installed in accordance with the applicable installation code by a person familiar with the construction and operation of the product and the hazards involved.
- Disconnect power to all circuits before wiring fixture.
- Install in accordance with all national, state, and local codes.
- Do not connect to an ungrounded supply.
- Read all fixture markings and labels to ensure correct installation of fixture.

DO NOT apply power to the fixture until the LED Board assembly is connected to the driver. If a power is applied to the fixture prior to connecting the LED Board assembly to the driver, this will cause the LED Board to fail and void the warranty.

### FCC COMPLIANCE STATEMENT

This device complies with part 15 of the FCC Rules. Operation is subject to the following two conditions: (1) this device may not cause harmful interference, and (2) this device must accept any interference received, including interference that may cause undesired operation.

This equipment has been tested and found to comply with the limits for a Class A digital device, pursuant to part 15 of the FCC Rules. These limits are designed to provide reasonable protection against harmful interference when the equipment is operated in a commercial environment. This equipment generates, uses, and can radiate radio frequency energy and, if not installed and used in accordance with the instruction manual, may cause harmful interference to radio communications. Operation of this equipment in a residential area is likely to cause harmful interference in which case the user will be required to correct the interference at his own expense.

### TROUBLE SHOOTING

PROBLEM	POSSIBLE CAUSE	SOLUTION
Light will not come on	A. Light switch is turned off. B. Fuse is blown or circuit breaker is turned off. C. Incorrect circuit wiring	A. Turn light switch on B. Replace fuse or turn circuit breaker on C. Verify that fixture is wired properly

### CARE AND MAINTENANCE

**CAUTION:** Before attempting to clean the fixture, disconnect the power to the fixture by turning the breaker off or removing the fuse from the fuse box. This LED light fixture is made from quality materials that will last many years with minimum care and maintenance. You may want to clean the fixture with a soft cloth periodically. To maintain the best appearance of the fixture, do not use cleaners with chemicals, solvents or harsh abrasives. Do not use liquid cleaner on the LEDs, LED driver, or wiring inside the light fixture.

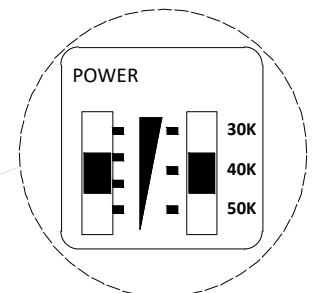
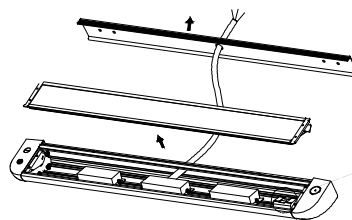
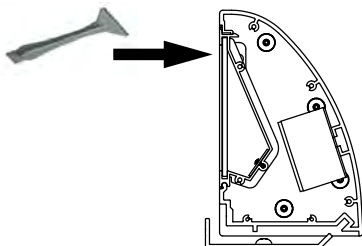
### ISED CANADA STATEMENT

This class A lighting equipment complies with Innovation, Science and Economic Development (ISED) Canada Standard for radio interference-causing equipment ICES- 005, 5th edition.

### PRIOR TO INSTALLATION

DFLV3/4 Fixtures ships with default setting of 40W, and 4000K. To change settings prior to installing unit, use instructions below:

### Changing Wattage / Color Temp:



2. Select the desired CCT and power

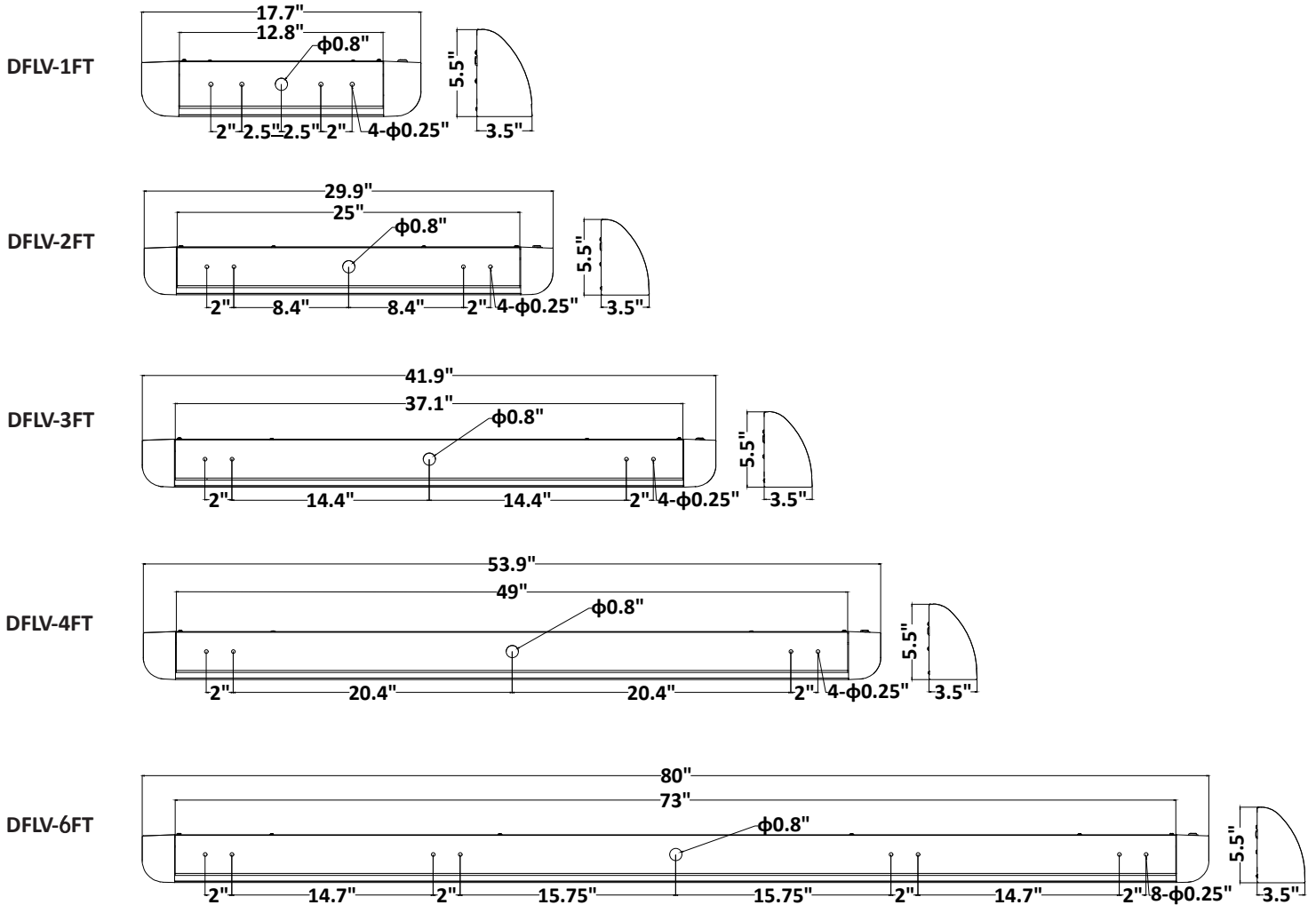
# DFLV WALL&MULLION MOUNT

LINEAR VANDAL RESISTANT DEFENDER

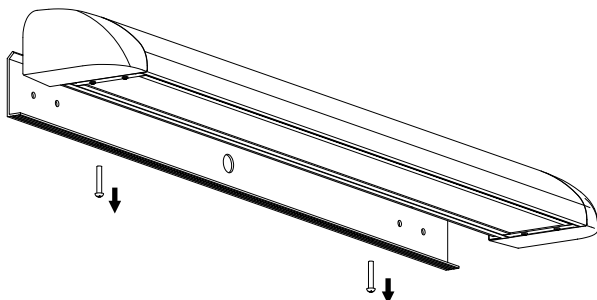
## INSTALLATION MANUAL

WALL MOUNT INSTALLATION (Caution: Before beginning installation turn off the circuit breaker and light switch)

### WALL MOUNT DRILLING PATTERN

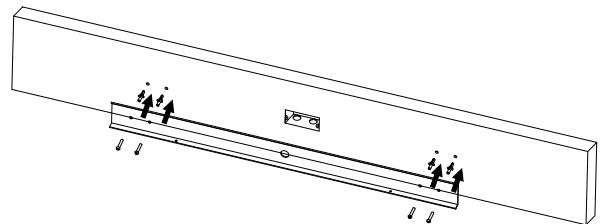


#### STEP 1



Remove the two bottom screws, and take out the mount plate.

#### STEP 2



Drilling and installing anchors according to the DRILLING PATTERN. Connect the circuit power leads to the fixture power leads

# DFLV WALL&MULLION MOUNT

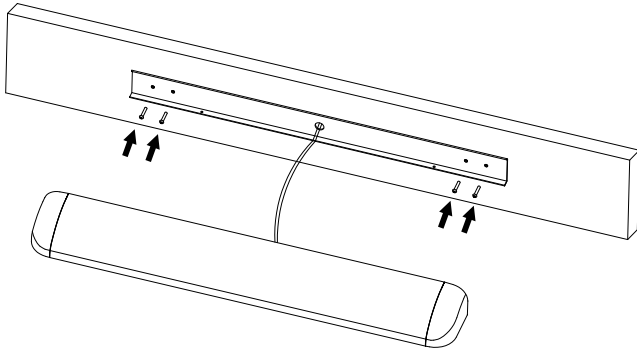
LINEAR VANDAL RESISTANT DEFENDER

**Spitzer**  
LIGHTING

## INSTALLATION MANUAL

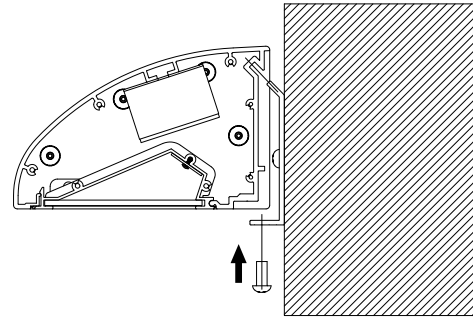
**WALL MOUNT INSTALLATION** (Caution: Before beginning installation turn off the circuit breaker and light switch)

STEP 3



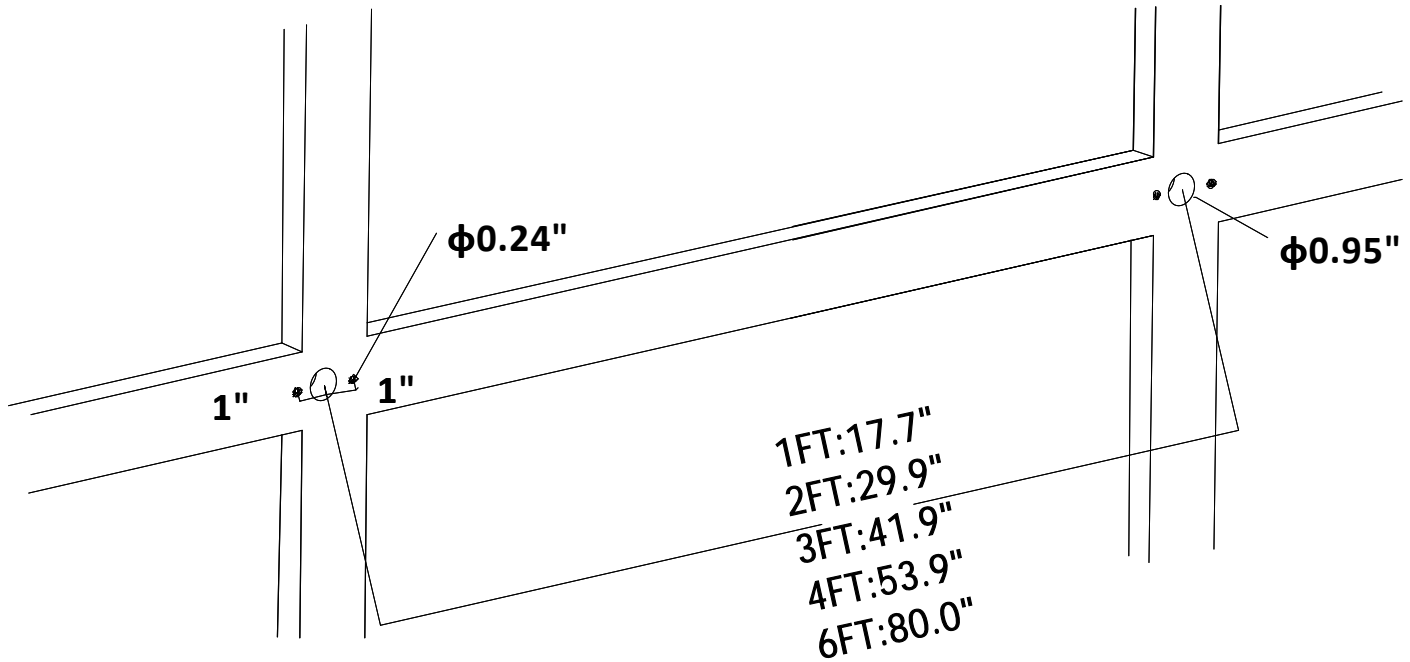
Fasten the mount plate with the provided screws.

STEP 4



Install the provided screws from the bottom and fasten the fixture securely

**MULLION MOUNT INSTALLATION** (Caution: Before beginning installation turn off the circuit breaker and light switch)



**Step 1: Position drilling holes as per above dimensions. Drilling 4 \*  $\phi 0.24''$  and 2  $\phi 0.95''$  holes**

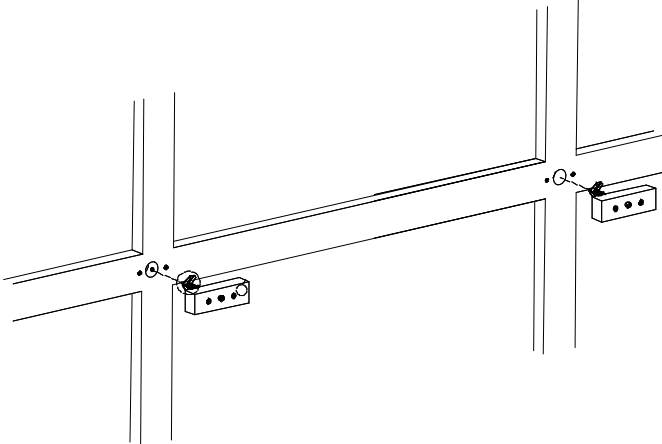
# DFLV WALL&MULLION MOUNT

LINEAR VANDAL RESISTANT DEFENDER

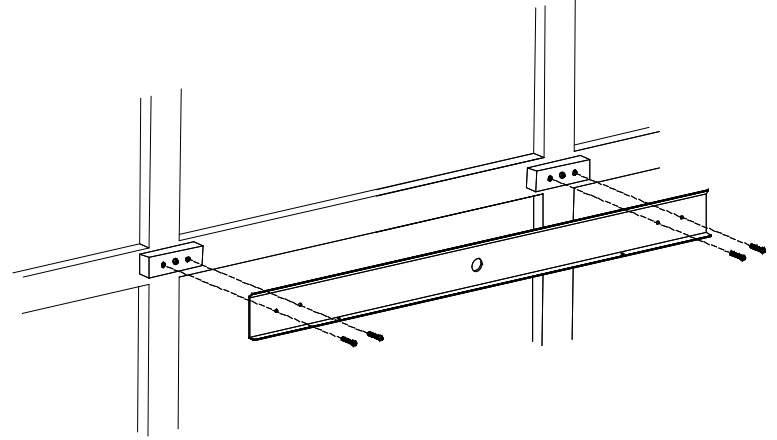
**Spitzer**  
LIGHTING

## INSTALLATION MANUAL

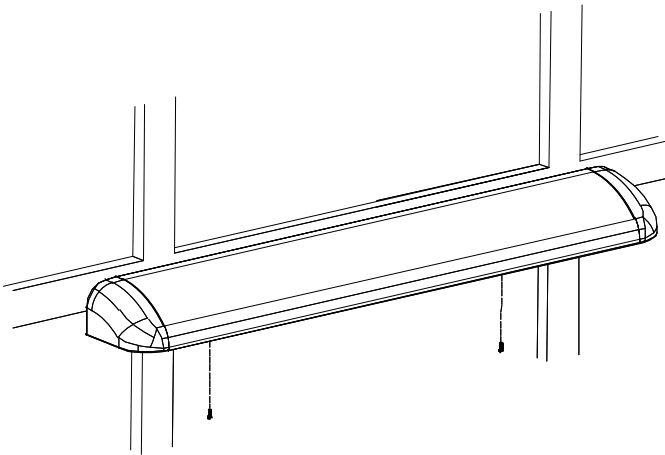
**MULLION MOUNT INSTALLATION** (Caution: Before beginning installation turn off the circuit breaker and light switch)



**Step 2: Using toggle bolts to fasten two mullion brackets**

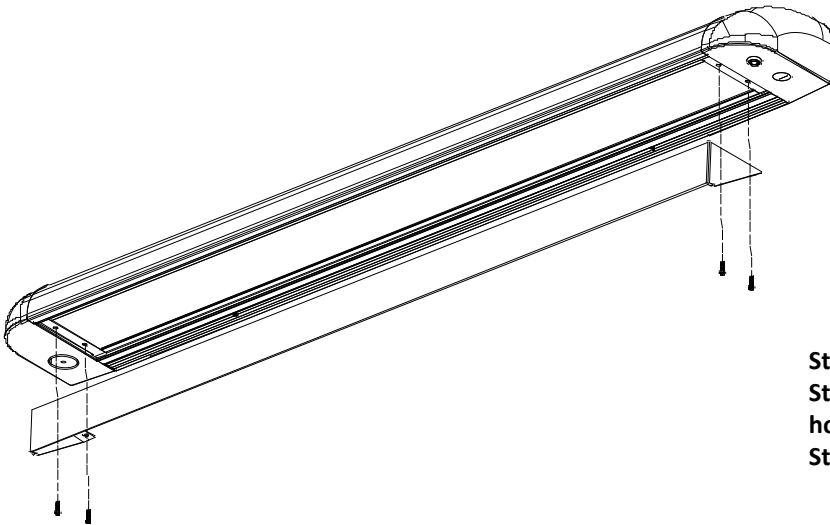


**Step 3: Fasten the fixture mounting bracket to mullion bracket**



**Step 4: Wiring the fixture to power leads.**  
Then mount the fixture to the brackets and fasten the fixture to the brackets from the bottom with provided screws

**FRONT SHIELD INSTALLATION** (Caution: Before beginning installation turn off the circuit breaker and light switch)



**Step 1: Remove the four Torx screws from fixture.**  
**Step 2: Align the screws holes on the shield to the fixture holes.**  
**Step 3: Fasten the four screws again.**

# DFLV WALL&MULLION MOUNT

LINEAR VANDAL RESISTANT DEFENDER

**Spitzer**  
LIGHTING

## INSTALLATION MANUAL

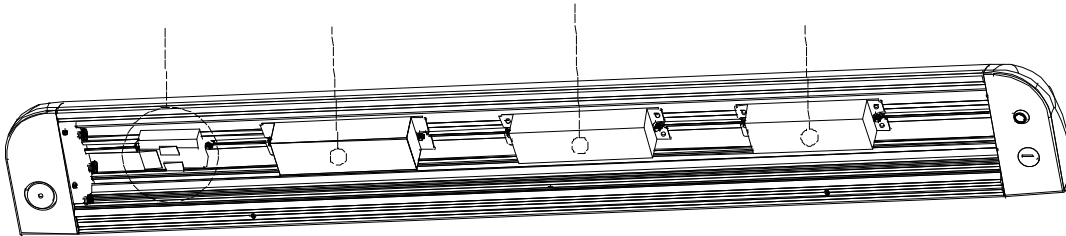
**MAINTENANCE-REPLACEMENT** (Caution: Before beginning installation turn off the circuit breaker and light switch)

**A.**  
DIP SWITCH

**B.**  
BATTERY

**B.**  
EMERGENCY DRIVER

**C.**  
Driver



**D.** LED ENGINE MODULE

Step 1: Remove the four Torx screws, and use pry tool to open the LED engine module.

### **A- DIP SWITCH**

Field select color temperature and lumen output as per the marks on the device (30K/40K/50K;H/M/L)

### **MAINTENANCE B- EMERGENCY BATTERY**

Step 2B: Remove the T-bolts of battery and emergency, then replace with the new.

### **MAINTENANCE C - DRIVER**

STEP 2C: Remove the T-bolts of driver and replace with the new.

### **MAINTENANCE D - LED ENGINE MODULE**

Step 2D: Disconnect the wire of engine module and connect with the new.

Step 3: Fasten the four screws again.

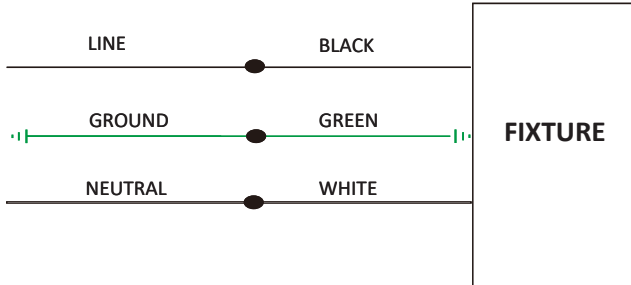
# DFLV WALL&MULLION MOUNT

LINEAR VANDAL RESISTANT DEFENDER

## INSTALLATION MANUAL

**WIRING DIAGRAM** (Caution: Before beginning installation turn off the circuit breaker and light switch)

### Standard 3-wire Wiring



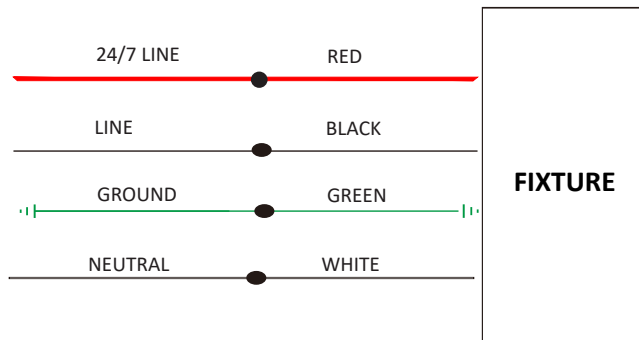
Refer to the wire diagram for power connections.

**Step1:** Connect the black fixture lead to the (+)LINE supply lead.

**Step2:** Connect the white fixture lead to the (-)NEUTRAL supply lead.

**Step3:** Connect the green wire from fixture to GROUND supply lead.

### EM 4-wire Wiring



Refer to the wire diagram for power connections.

**Step1:** Connect the black fixture lead to the (+)LINE supply lead.

**Step2:** Connect the white fixture lead to the (-)NEUTRAL supply lead.

**Step3:** Connect the green wire from fixture to GROUND supply lead.

**Step4:** Connect the red wire from fixture to 24/7 LINE lead