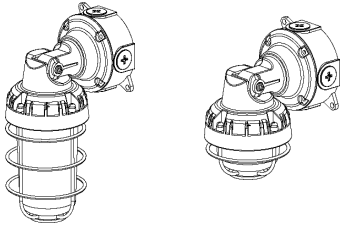


INSTALLATION MANUAL

PRODUCT PARAMETER	
INPUT VOLTAGE	120-277V
VALIDATION	UL WEL LOCATION, IP65, IK10
SURGE PROTECTION	6Kv SPU INCLUDED



SAFETY INFORMATION

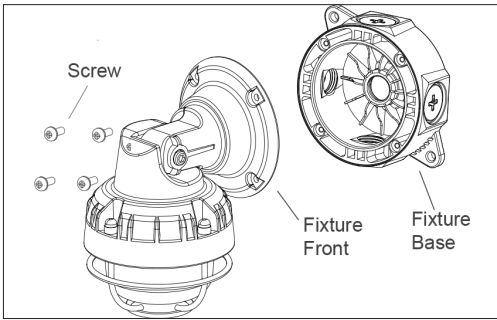
BE SURE THE POWER IS OFF! RISK OF ELECTRICAL SHOCK: Always use the switch to power off. Do not perform any operations while this unit is powered on. The electrical system you want to connect the device to must be grounded. Read the instructions before using or powering this device. The safety instructions must remain with the unit in case of transfer. Any damage to the device linked to an inappropriate use is excluded from support by the warranty. Before connecting, make sure that the current and voltage are compatible with this device. We highly recommend that all installations are made by QUALIFIED ELECTRICIAN. We are NOT responsible by any means for the use or misuse of the following information. We are NOT responsible in whole or part for any harm or damage that may or may not be caused. We reserve the right to revise the components of any product, due to part availability or change ETL, CUL, UL standards without assuming any obligation or liability to modify any products previously manufactured and without notice. These instructions do not cover all details of variations in equipment, nor do they provide every possible contingency to be met. Turn off / unplug power when installing or service device.

PRE - INSTALLATION

- Carefully remove the fixture from the carton.
- Before beginning assembly, installation, or operation of product, make sure all parts are present. Compare parts with package contents list and diagram on previous page. If any part is missing or damaged, do not attempt to assemble, install or operate the product. Contact customer service for replacement parts.
- Tools required for assembly (Not Included): screwdriver, phillips screwdriver, pliers, electrical tape, wire cutters, safety glasses, ladder, wire stripper.

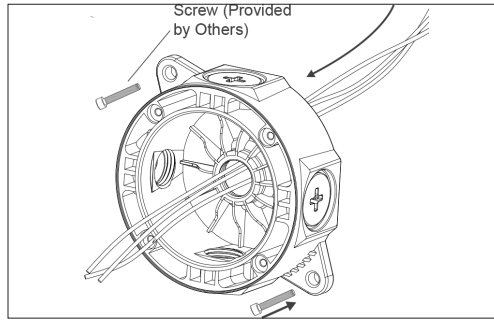
THROUGH WALL WIRING INSTALLATION (Caution: Before beginning installation turn off the circuit breaker and light switch)

FIG. 1



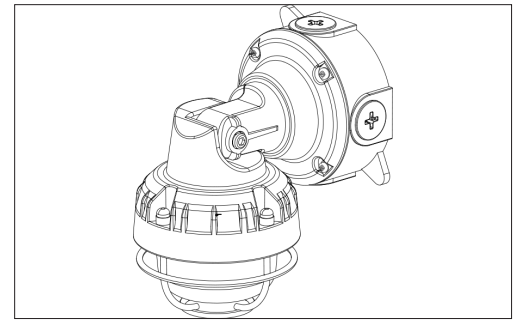
1. Separate the fixture front from the fixture base by loosening the (4) screws. (Fig. 1)
2. Remove the conduit plug in the back of the fixture base.

FIG. 2



3. Feed wires from wall through the hole in the back of the fixture base. (Fig. 2)
4. Securely fasten the fixture base to the wall using appropriate hardware supplied by others.

FIG. 3



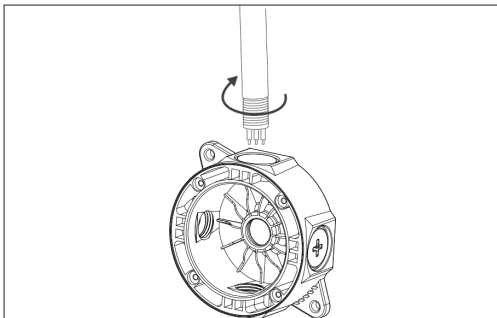
5. Make electrical connections; see Electrical Connections section.
6. Reattach the fixture front to the fixture base. Alternate screws and push on the fixture front while tightening the screws to ensure that the fixture front is fully seated against the fixture base. Ensure wiring remains in the fixture base and does not get pinched. (Fig. 3)

Note: Be careful not to over tighten the screws.

IMPORTANT: Weatherproof your outdoor installation. Be sure to seal all holes in the enclosure, such as the mounting, conduit, plugs, sensors, and photo controls with silicone sealant.

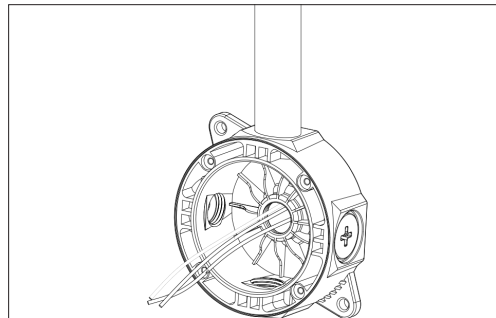
THROUGH CONDUIT WIRING

FIG. 4



1. Separate the fixture front from the fixture base by loosening the (4) screws. (Fig. 1)
2. Securely fasten the fixture base to the wall using appropriate hardware supplied by others.
3. Secure conduit to the fixture base in the desired hole(s). (Fig. 4)
4. Feed wires through the conduit into the fixture base. (Fig. 5)

FIG. 5



5. Make electrical connections; see Electrical Connections section.
6. Reattach the fixture front to the fixture base. Alternate screws and push on the fixture front while tightening the screws to ensure that the fixture front is fully seated against the fixture base. Ensure wiring remains within the fixture base and does not get pinched. (Fig. 3)

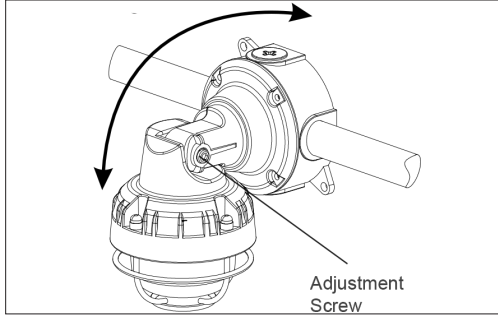
Note: Be careful not to over tighten the screws.

IMPORTANT: Weatherproof your outdoor installation. Be sure to seal all holes in the enclosure, such as the mounting, conduit, plugs, sensors, and photo controls with silicone sealant.

INSTALLATION MANUAL

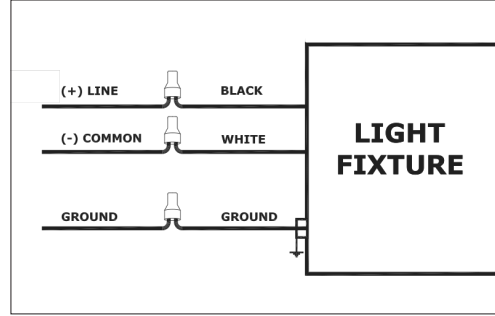
ANGLE ADJUSTMENT (Caution: Before beginning installation turn off the circuit breaker and light switch)

FIG. 6



If the lamp angle needs to be adjusted, loosen the adjustment screw and rotate the fixture to the desired angle. Tighten the screw once the desired angle is achieved. (Fig. 6)

FIG. 7



Electrical Connections

Universal voltage driver permits operation at 120V - 277V, 50 or 60 Hz. For 0-10V Dimming, follow the wiring directions

1. Connect the black fixture lead to the LINE supply lead.
2. Connect the white fixture lead to the COMMON supply lead.
3. Connect the GROUND wire from fixture to supply ground

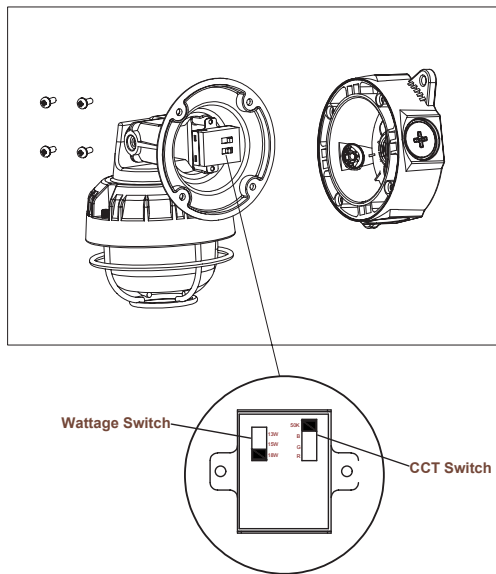
Troubleshooting

If the fixture does not turn ON:

1. Check incoming voltage to the LED driver. The voltage must be a minimum of 120VAC and no greater than 277VAC.
2. Are all LEDs on the light engine OFF? If so, the LED driver may be defective. Using a voltmeter, check to see if voltage is present at the output of the power supply. If low or no voltage
3. If any individual LEDs are OFF, the LED light engine may be defective. Please have the serial number of the light engine available when you contact technical support is found, replace the power supply.

FIELD ADJUSTABLE WATTAGE & CCT

FIG. 8



The end users may adjust the color temperature and lumen output respectively by the two DIP switch buttons. Each DIP switch is accommodated with 3 options (left, middle and right), corresponding to 3 color temperatures and 3 powers respectively, which can perform the desired color temperature and lumen output combination.

Factory Settings: Generally set to maximum power and middle color temperature.

1. Separate the fixture front from the fixture base by loosening the (4) screws
2. Select a wattage and color temperature by sliding switch left or right respectively to the desired value. (Fig. 8)

CARE AND MAINTENANCE

PROBLEM	POSSIBLE CAUSE	SOLUTION	CAUTION: Before attempting to clean the fixture, disconnect the power to the fixture by turning the breaker off or removing the fuse from the fuse box. This LED light fixture is made from quality materials that will last many years with minimum care and maintenance. You may want to clean the fixture with a soft cloth periodically. To maintain the best appearance of the fixture, do not use cleaners with chemicals, solvents or harsh abrasives. Do not use liquid cleaner on the LEDs, LED driver, or wiring inside the light fixture.
Light will not come on	A. Light switch is turned off. B. Fuse is blown or circuit breaker is turned off. C. Incorrect circuit wiring	A. Turn light switch on B. Replace fuse or turn circuit breaker on C. Verify that fixture is wired properly	