

ELR SERIES

EDGE-LIT ROUND PENDANT MOUNT

INSTALLATION MANUAL

PRODUCT PARAMETER

INPUT VOLTAGE	120-277V
DIMMING	TRIAC @ 120V ONLY
LISTINGS	DAMP LOCATION



PRE - INSTALLATION

- Carefully remove the fixture from the carton.
- Before beginning assembly, installation, or operation of product, make sure all parts are present. Compare parts with package contents list and diagram on previous page. If any part is missing or damaged, do not attempt to assemble, install or operate the product. Contact customer service for replacement parts.
- Tools required for assembly (Not Included): screwdriver, phillips screwdriver, pliers, electrical tape, wire cutters, safety glasses, ladder, wire stripper.

SAFETY INFORMATION

BE SURE THE POWER IS OFF! RISK OF ELECTRICAL SHOCK: Always use the switch to power off. Do not perform any operations while this unit is powered on. The electrical system you want to connect the device to must be grounded. Read the instructions before using or powering this device. The safety instructions must remain with the unit in case of transfer. Any damage to the device linked to an inappropriate use is excluded from support by the warranty. Before connecting, make sure that the current and voltage are compatible with this device. We highly recommend that all installations are made by QUALIFIED ELECTRICIAN. We are NOT responsible by any means for the use or misuse of the following information. We are NOT responsible in whole or part for any harm or damage that may or may not be caused. We reserve the right to revise the components of any product, due to part availability or change ETL, CUL, UL standards without assuming any obligation or liability to modify any products previously manufactured and without notice. These instructions do not cover all details of variations in equipment, nor do they provide every possible contingency to be met. Turn off / unplug power when installing or service device.

WARNING

WARNING: Read all safety precautions and installation instructions carefully before installing or servicing this fixture. Failure to comply with these instructions could result in a potentially fatal electric shock, fire, and/or property damage.

FCC WARNING

WARNING: Changes or modifications to this unit not expressly approved by the party responsible for compliance could void the user authority to operate the equipment.

NOTES: This equipment has been tested and found to comply with the limits for a Class B digital device, pursuant to Part 15 of the FCC Rules. These limits are designed to provide reasonable protection against harmful interference in a residential installation. This equipment generates, uses and can radiate radio frequency energy and, if not installed and used in accordance with the instructions, may cause harmful interference to radio communications.

However, there is no guarantee that interference will not occur in a particular installation. If this equipment does cause harmful interference to radio or television reception, which can be determined by turning the equipment off and on, the user is encouraged to try to correct the interference by one or more of the following measures:

- Reorient or relocate the receiving antenna.
- Increase the separation between the equipment and receiver.
- Connect the equipment into an outlet on a circuit different from that to which the receiver is connected.
- Consult the dealer or an experienced radio/TV technician for help.

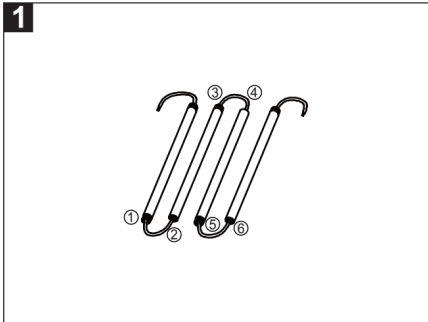
Wattage (W)	Voltage (V)	Rated Input Frequency (Hz)	Beam Angle (°)	Dimensions (DxH)
15W	AC120-277V	50/60HZ	120°	12 X 0.95 INCH
25W				16 X 0.95 INCH
40W				24 X 0.95 INCH

ELR QUALIFIED TRIAC DIMMERS

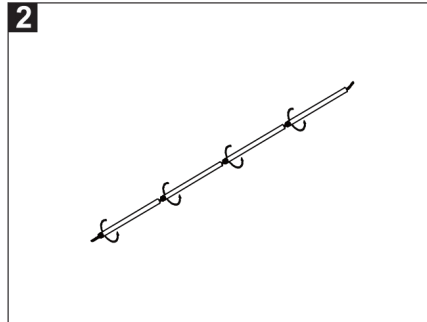
Lutron	MACL-153MR
Lutron	SCL-153P
Lutron	PD-6WCL
Lutron	CTCL-153P
Lutron	MSCL-OP153M
Lutron	DVCL-153P
Levitron	6672-1L

INSTALLATION MANUAL

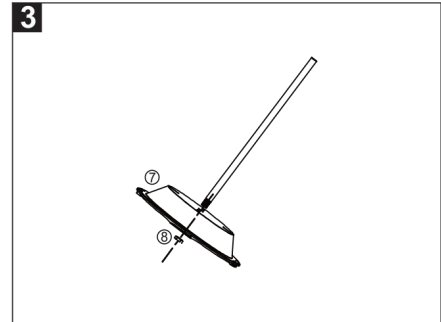
SUSPENDING INSTALLATION (FITS 12" & 16")



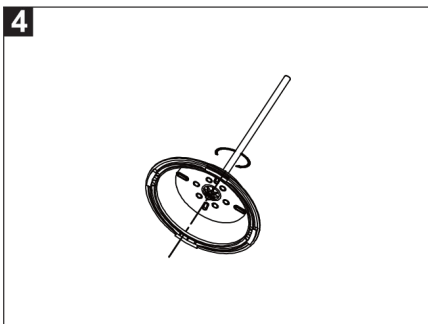
1. Do not operate with power on before installation, connect the stems in serial number 1,2,3.....6.



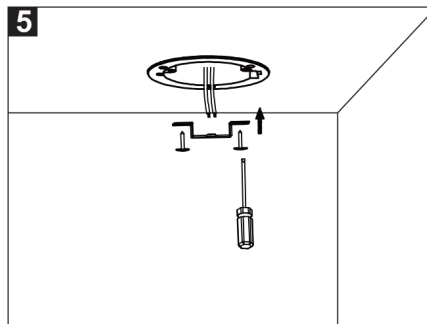
2. Twist each round stem firmly.



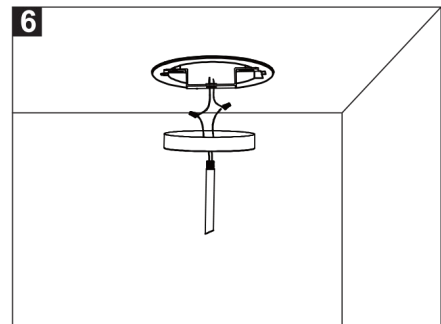
3. Attach the mounting bracket (7) to the bottom of the stem.



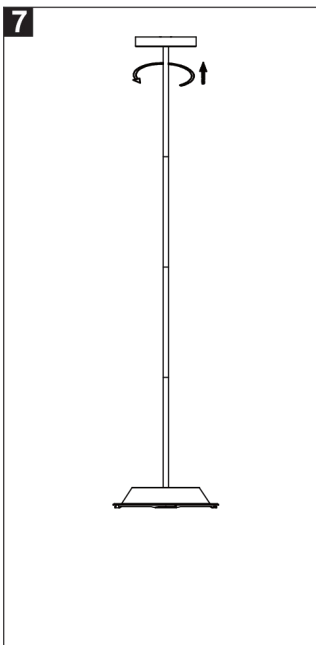
4. Use M10 nuts thread assembled stems to canopy and mounting bracket.



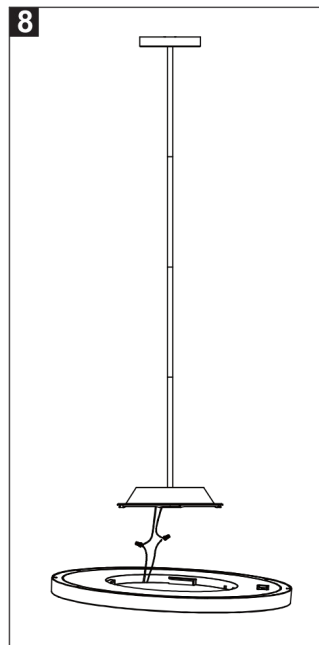
5. Turn off the input power to the luminaire and fix the concave bracket to the junction box with screws.



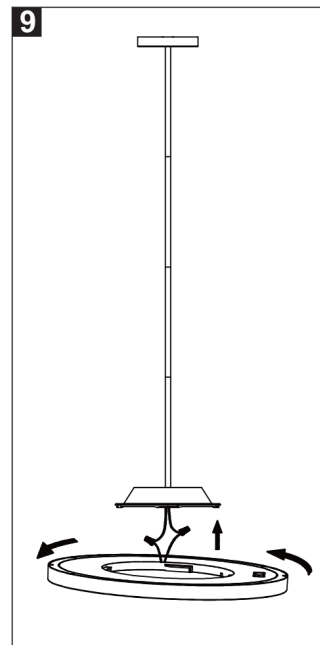
6. Connect power cord to supply wires from the canopy.



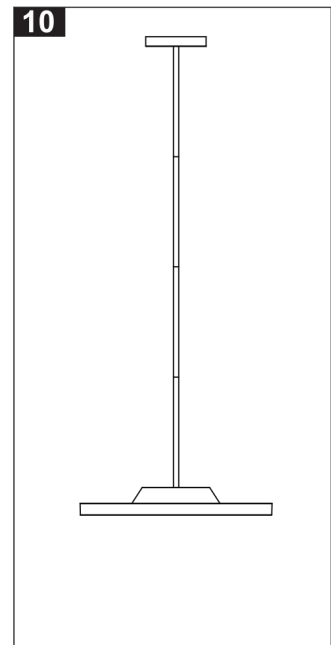
7. Mount the stem to the top bracket and rotate it clockwise to secure.



8. Connect supply wires from the mounting bracket to the supply wires of the luminaire.



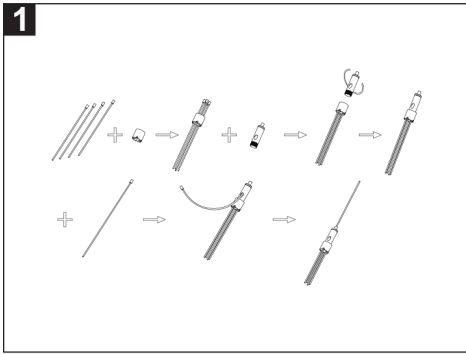
9. Secure the luminaire to the mounting bracket by rotating the luminaire clockwise.



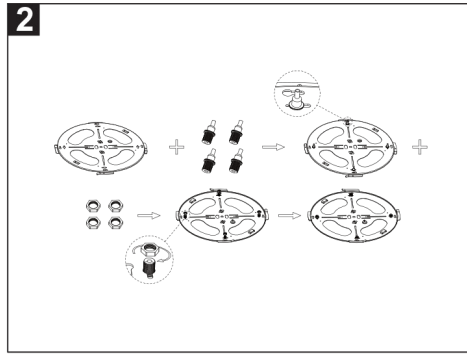
10. Shake the lamp body to test the reliability of the installation, and turn the power on. Installation complete.

INSTALLATION MANUAL

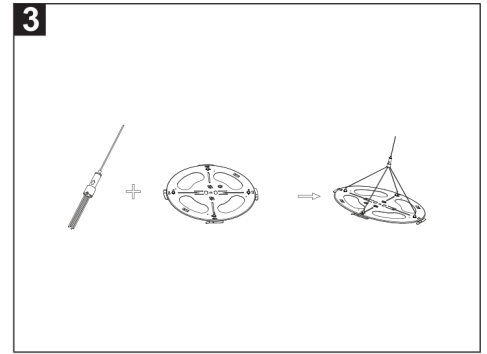
STEEL CORD SUSPENDING INSTALLATION (FITS 24")



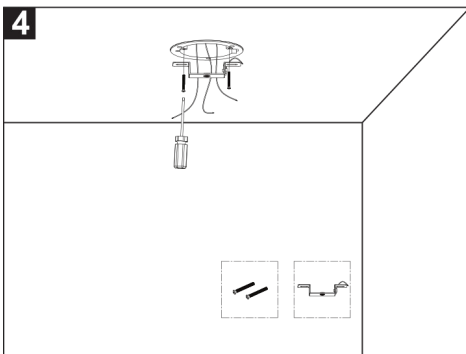
1. Accessories pre-installed (as shown).



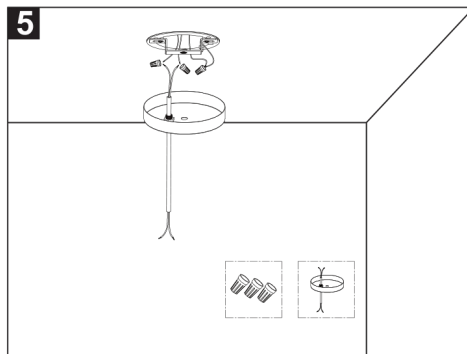
2. Accessories pre-installed (as shown).



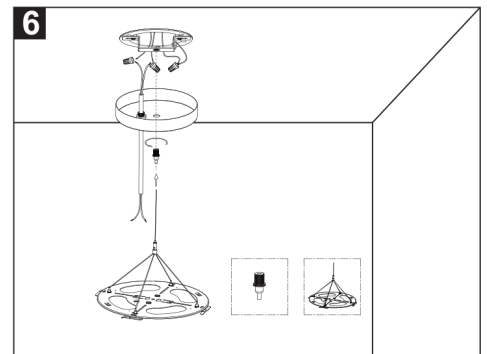
3. Accessories pre-installed (as shown).



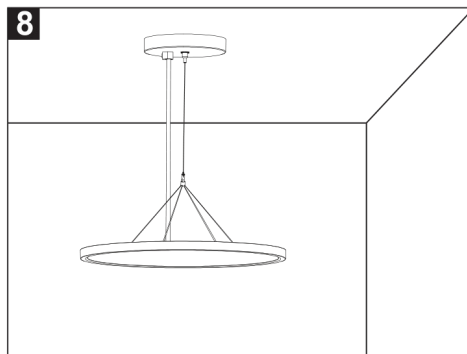
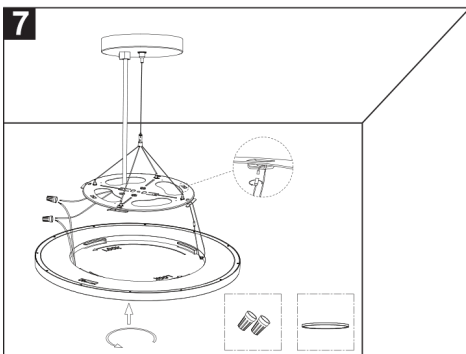
4. Turn off power firstly, mount the U-shaped bracket to the pre-built junction box with screws.



5. Connect the LN wires from the pendant to the external input LN wires, and U-shaped bracket ground wire to the external input ground wire.



6. Assembled the steel wire strain relief into the canopy central hole and tighten it into the thread hole in the middle of the U-shaped bracket, then adjust the steel wire length to make it well balance with the mounting bracket. Secure the wire once the length is verified.



ELR SERIES

EDGE-LIT ROUND SURFACE MOUNT



INSTALLATION MANUAL

PRODUCT PARAMETER	
INPUT VOLTAGE	120-277V
DIMMING	TRIAC @ 120V ONLY
LISTINGS	DAMP LOCATION



SAFETY INFORMATION

BE SURE THE POWER IS OFF! RISK OF ELECTRICAL SHOCK: Always use the switch to power off. Do not perform any operations while this unit is powered on. The electrical system you want to connect the device to must be grounded. Read the instructions before using or powering this device. The safety instructions must remain with the unit in case of transfer. Any damage to the device linked to an inappropriate use is excluded from support by the warranty. Before connecting, make sure that the current and voltage are compatible with this device. We highly recommend that all installations are made by QUALIFIED ELECTRICIAN. We are NOT responsible by any means for the use or misuse of the following information. We are NOT responsible in whole or part for any harm or damage that may or may not be caused. We reserve the right to revise the components of any product, due to part availability or change ETL, CUL, UL standards without assuming any obligation or liability to modify any products previously manufactured and without notice. These instructions do not cover all details of variations in equipment, nor do they provide every possible contingency to be met. Turn off / unplug power when installing or service device.

WARNING

WARNING: Read all safety precautions and installation instructions carefully before installing or servicing this fixture. Failure to comply with these instructions could result in a potentially fatal electric shock, fire, and/or property damage.

FCC WARNING

WARNING: Changes or modifications to this unit not expressly approved by the party responsible for compliance could void the user authority to operate the equipment.

NOTES: This equipment has been tested and found to comply with the limits for a Class B digital device, pursuant to Part 15 of the FCC Rules. These limits are designed to provide reasonable protection against harmful interference in a residential installation. This equipment generates, uses and can radiate radio frequency energy and, if not installed and used in accordance with the instructions, may cause harmful interference to radio communications. However, there is no guarantee that interference will not occur in a particular installation. If this equipment does cause harmful interference to radio or television reception, which can be determined by turning the equipment off and on, the user is encouraged to try to correct the interference by one or more of the following measures:

- Reorient or relocate the receiving antenna.
- Increase the separation between the equipment and receiver.
- Connect the equipment into an outlet on a circuit different from that to which the receiver is connected.
- Consult the dealer or an experienced radio/TV technician for help.

PRE - INSTALLATION

- Carefully remove the fixture from the carton.
- Before beginning assembly, installation, or operation of product, make sure all parts are present. Compare parts with package contents list and diagram on previous page. If any part is missing or damaged, do not attempt to assemble, install or operate the product. Contact customer service for replacement parts.
- Tools required for assembly (Not Included): screwdriver, phillips screwdriver, pliers, electrical tape, wire cutters, safety glasses, ladder, wire stripper.

Wattage (W)	Voltage (V)	Rated Input Frequency (Hz)	Beam Angle (°)	Dimensions (DxH)
15W	AC120-277V	50/60HZ	120°	12 X 0.95 INCH
25W				16 X 0.95 INCH
40W				24 X 0.95 INCH

ELR QUALIFIED TRIAC DIMMERS

Lutron	MACL-153MR
Lutron	SCL-153P
Lutron	PD-6WCL
Lutron	CTCL-153P
Lutron	MSCL-OP153M
Lutron	DVCL-153P
Levitron	6672-1L

ELR SERIES

EDGE-LIT ROUND SURFACE MOUNT



INSTALLATION MANUAL

SURFACE MOUNTED INSTALLATION

