

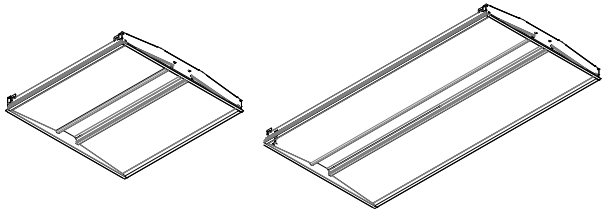
ENCHANT

Architectural Dual Edge-Lit Troffer

INSTALLATION MANUAL

PRODUCT PARAMETER

INPUT VOLTAGE	120 - 277V
DIMENSION	2X2 /2X4
WORKING TEMP.	-5°F~104°F/32°F~104°F (For EM)



SAFETY INFORMATION

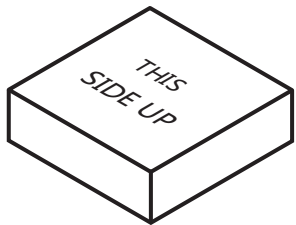
BE SURE THE POWER IS OFF! RISK OF ELECTRICAL SHOCK: Always use the switch to power off. Do not perform any operations while this unit is powered on. The electrical system you want to connect the device to must be grounded. Read the instructions before using or powering this device. The safety instructions must remain with the unit in case of transfer. Any damage to the device linked to an inappropriate use is excluded from support by the warranty. Before connecting, make sure that the current and voltage are compatible with this device. We highly recommend that all installations are made by QUALIFIED ELECTRICIAN. We are NOT responsible by any means for the use or misuse of the following information. We are NOT responsible in whole or part for any harm or damage that may or may not be caused. We reserve the right to revise the components of any product, due to part availability or change ETL, CUL, UL standards without assuming any obligation or liability to modify any products previously manufactured and without notice. These instructions do not cover all details of variations in equipment, nor do they provide every possible contingency to be met. Turn off / unplug power when installing or service device.

PRE - INSTALLATION

- Read carefully before installing fixture. Retain for future reference.
- Failure to follow instructions may result in serious injury or death
- Upon receipt the fixture, thoroughly inspect for any freight damage which should be brought to the attention of the delivery carrier. Compare the catalog description listed on the package slip with the fixture label on the housing to assure you have received material.
- This fixture must be wired in accordance with the international electrical code and applicable local codes and ordinances. Proper grounding is required to insure personal safety. Carefully observe the correct grounding procedure under installation section.

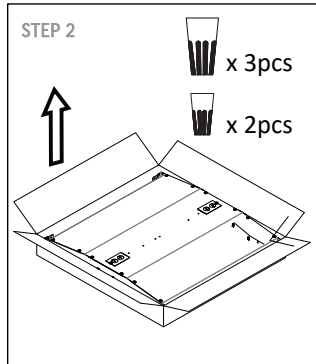
INSTALLATION (Caution: Before beginning installation turn off the circuit breaker and light switch)

STEP 1



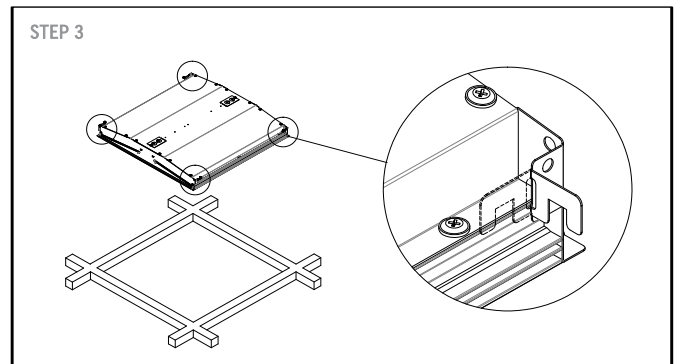
Inspect the packaging.

STEP 2



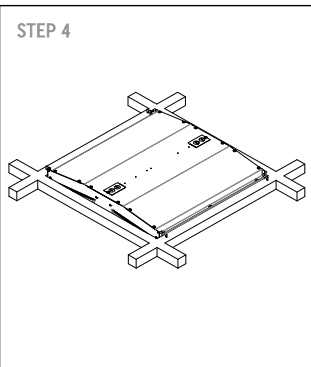
Open the package & check included accessories.

STEP 3



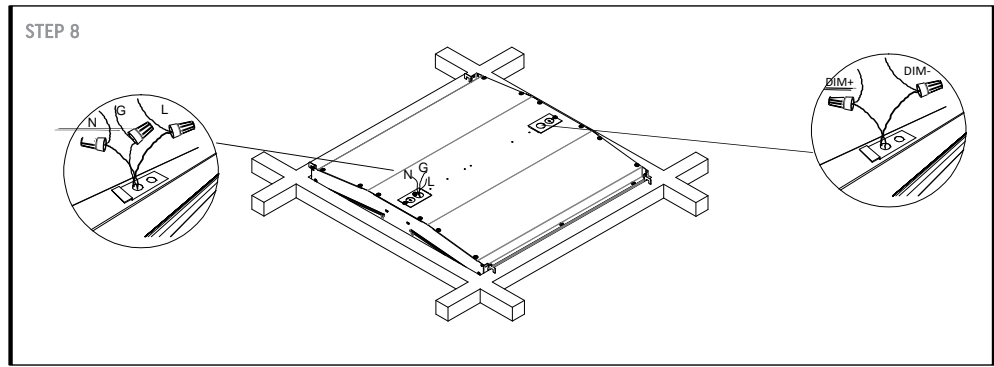
Gently rotate fixture housing and angle into the ceiling grid. Bend tabs as shown in detail.

STEP 4



Fold two tabs to 90 degree and align with two sides of grid. Ensure all fixtures are oriented in the the same direction

STEP 8



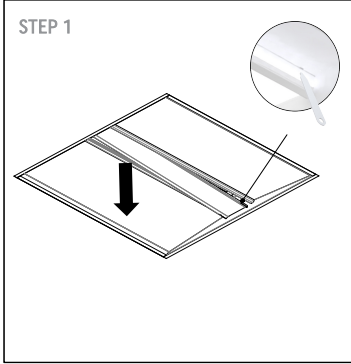
Remove knock-out of wire access plate. Connect power feed to the leads provided in accordance with national and local building and electrical codes (DETAIL). Checking the wiring diagram

ENCHANT

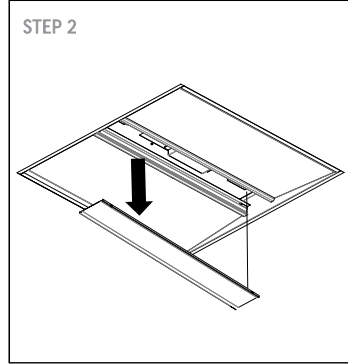
Architectural Dual Edge-Lit Troffer

INSTALLATION MANUAL

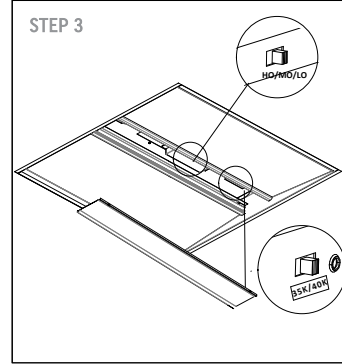
CCT and Power selecting (Caution: Before beginning installation turn off the circuit breaker and light switch)



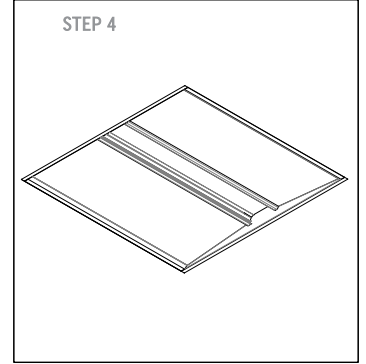
1. Insert the troffer into the ceiling grid.



2. Open the package & check included accessories



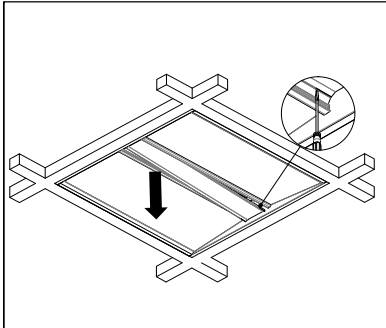
3. Remove the set of (2) screws and detach the mounting plate



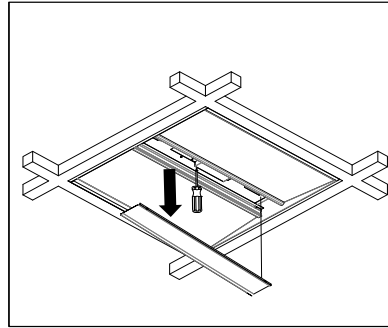
4. Install the mounting plate to a 4" octagon or square J-box

MAINTENANCE-REPLACE DRIVER(Caution: Before beginning replacement turn off the circuit breaker and light switch)

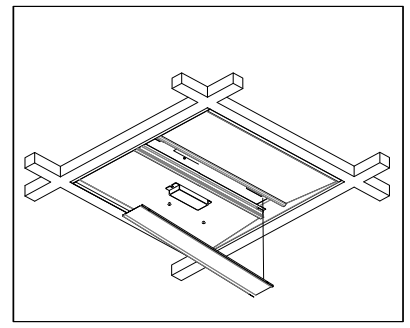
Method A: Replacing driver from the aperture side of fixture



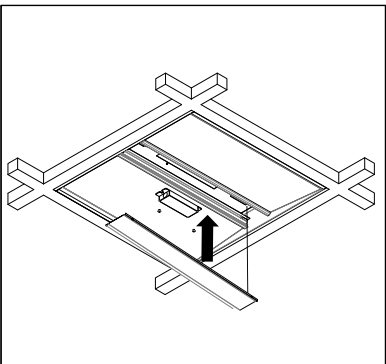
1. Insert the troffer into the ceiling grid.



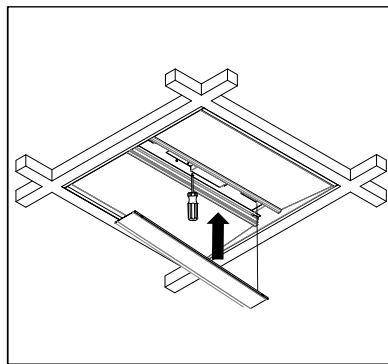
2. Push the troffer into the ceiling grid.



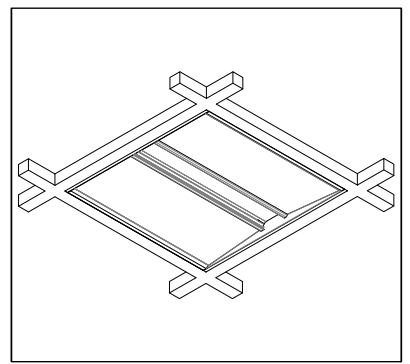
3. Push the troffer into the ceiling grid.



4. Install the new driver and connect the wires



5. Fasten the driver with original screws



6. Install back the cover plate.

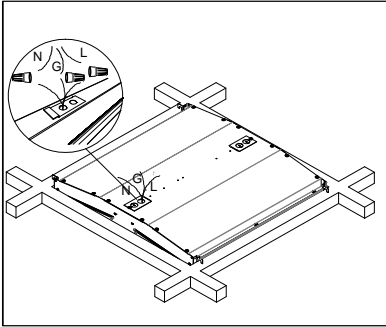
ENCHANT

Architectural Dual Edge-Lit Troffer

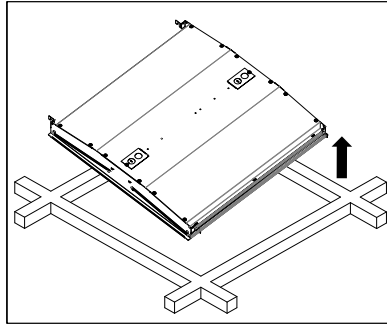
INSTALLATION MANUAL

MAINTENANCE-REPLACE DRIVER (Caution: Before beginning installation turn off the circuit breaker and light switch)

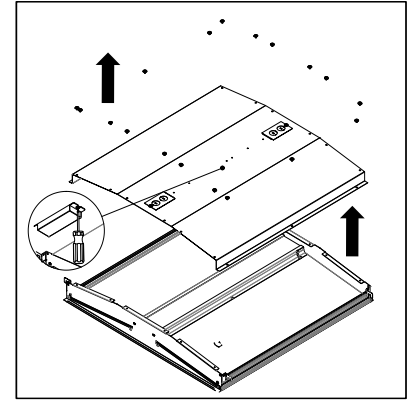
Method B: Replacing driver from the backside of fixture



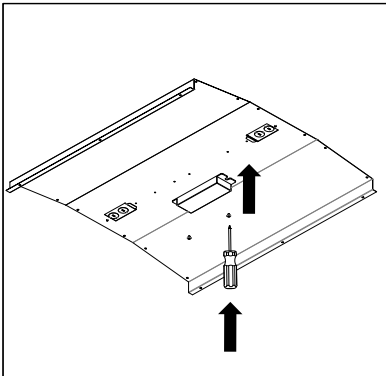
Disconnect the power feed



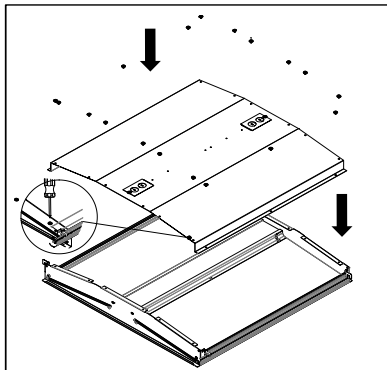
Take down the fixture from ceiling grid



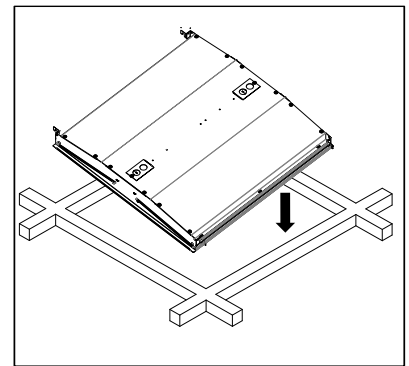
Unfasten the screws of backside, and remove the driver



Install the new driver and connect the wires



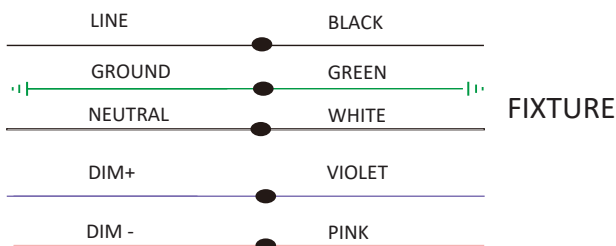
Fasten the backside housing with screws



Install back the fixture to ceiling grid

WIRING DIAGRAM (Caution: Before beginning installation turn off the circuit breaker and light switch)

A. REGULAR FIXTURE WIRING



B. WITH EMERGENCY FIXTURE WIRING

