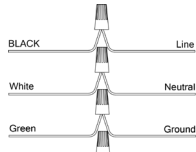


# INSTALLATION MANUAL

PRODUCT PARAMETER	
<b>INPUT VOLTAGE</b>	120 - 277V, 347-480V
<b>CONTROL</b>	BI- LEVEL MOTION SENSOR WITH DAYLIGHT HARVESTING
<b>BEAM ANGLE</b>	120° GENERAL DISTRIBUTION / 90° MEDIUM DISTRIBUTION / 60° NARROW DISTRIBUTION



### SAFETY INFORMATION

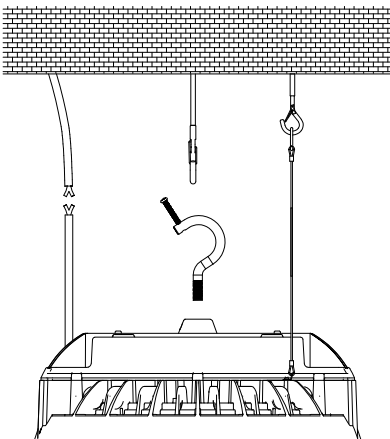
**BE SURE THE POWER IS OFF! RISK OF ELECTRICAL SHOCK:** Always use the switch to power off. Do not perform any operations while this unit is powered on. The electrical system you want to connect the device to must be grounded. Read the instructions before using or powering this device. The safety instructions must remain with the unit in case of transfer. Any damage to the device linked to an inappropriate use is excluded from support by the warranty. Before connecting, make sure that the current and voltage are compatible with this device. We highly recommend that all installations are made by QUALIFIED ELECTRICIAN. We are NOT responsible by any means for the use or misuse of the following information. We are NOT responsible in whole or part for any harm or damage that may or may not be caused. We reserve the right to revise the components of any product, due to part availability or change ETL, CUL, UL standards without assuming any obligation or liability to modify any products previously manufactured and without notice. These instructions do not cover all details of variations in equipment, nor do they provide every possible contingency to be met. Turn off / unplug power when installing or service device.

### PRE - INSTALLATION

- Carefully remove the fixture from the carton.
- Before beginning assembly, installation, or operation of product, make sure all parts are present. Compare parts with package contents list and diagram on previous page. If any part is missing or damaged, do not attempt to assemble, install or operate the product. Contact customer service for replacement parts.
- Tools required for assembly (Not Included): screwdriver, phillips screwdriver, pliers, electrical tape, wire cutters, safety glasses, ladder, wire stripper.

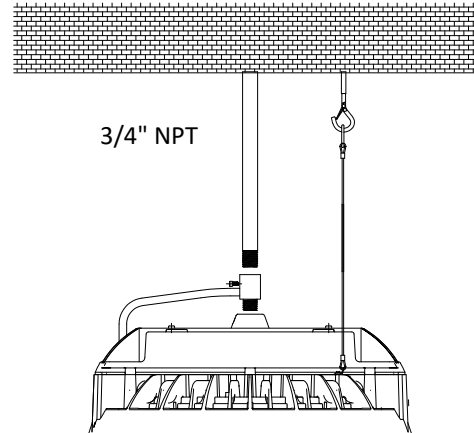
### DIRECT MOUNT INSTALLATION (Caution: Before beginning installation turn off the circuit breaker and light switch)

#### Direct Hook mount



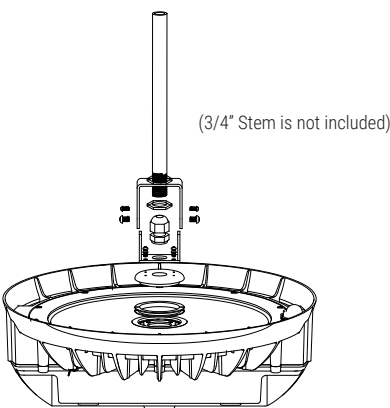
1. Hook the safety cable
2. Fasten hook and hang to ceiling
3. Connect the Black (Live), White (neutral), and Green (Ground) wires to the corresponding building wires. Refer to Diagram.

#### Direct 3/4" NPT mount

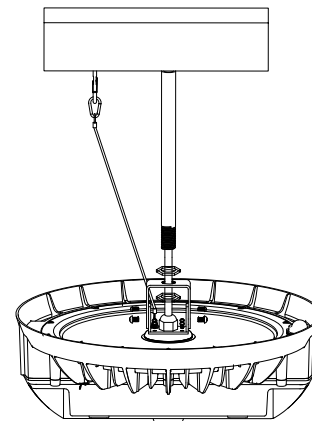


1. Hook the safety rope
2. Connect the Black (Live), White (neutral), and Green (Ground) wires to the corresponding building wires. Refer to Diagram.
3. Fasten the adapter
4. Fasten the 3/4 NPT stem then screw

### INDIRECT 3/4" STEM PENDANT INSTALLATION (Caution: Before beginning installation turn off the circuit breaker and light switch)



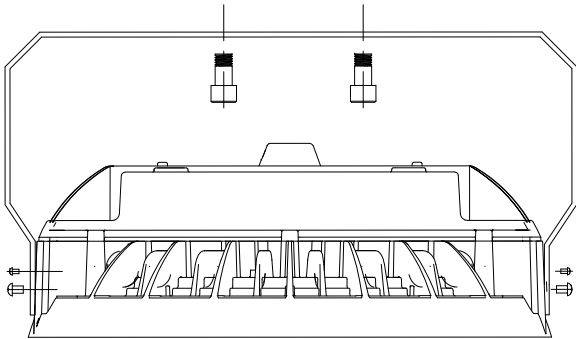
1. Fasten stem with hex nuts on both side of upper bracket
2. Fixture cable goes through the lower & upper brackets and all the way through the stem
3. Fasten the lower bracket to the fixture and the upper in place with the provided screws.



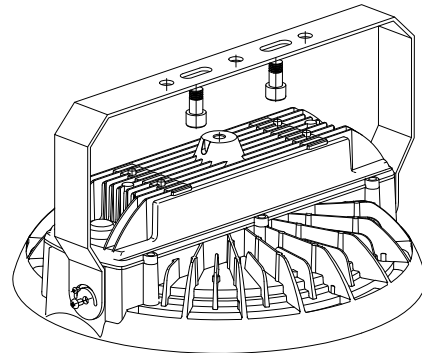
4. Hook the safety rope
5. Connect the Black (Live), White (neutral), and Green (Ground) wires to the corresponding building wires. Refer to Diagram.

### INSTALLATION MANUAL

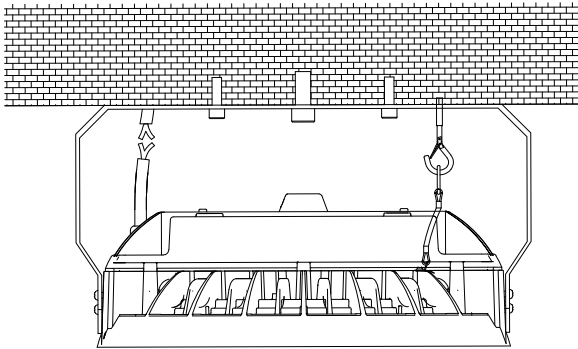
#### TRUNNION SURFACE MOUNT INSTALLATION (Caution: Before beginning installation turn off the circuit breaker and light switch)



**1. Fasten both of the bracket sides to the fixture with the four provided screws**

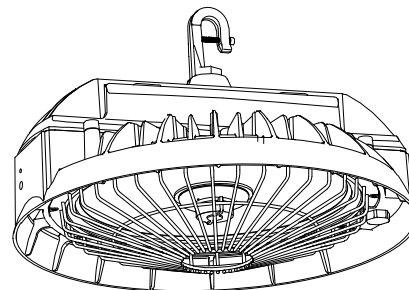
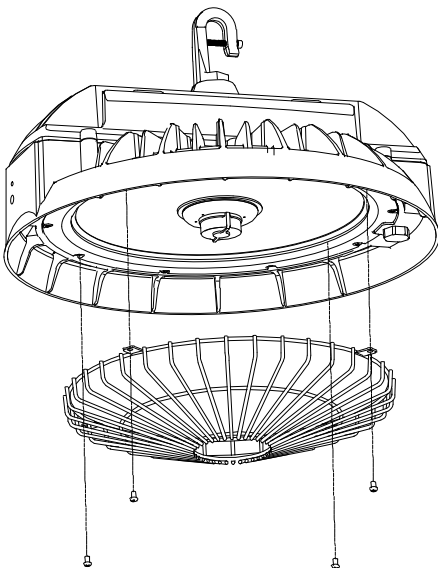


**2. Fasten the trunnion brackets to the ceiling with provided screws**



**3. Hook the safety rope**  
**4. Connect the Black (Live), White (neutral), and Green (Ground) wires to the corresponding building wires. Refer to Diagram.**

#### WIREGUARD INSTALLATION (Caution: Before beginning installation turn off the circuit breaker and light switch)



**1. Position the wire guard on the fixture and remove the four screws**  
**2. Attach the wire guard again and fasten with the removed 4 screws**