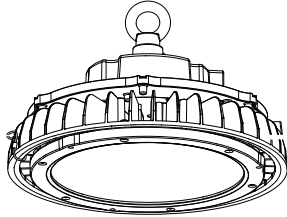


INSTALLATION MANUAL

PRODUCT PARAMETER

INPUT VOLTAGE	120 - 277V
DISTRIBUTION	DIRECT&INDIRECT
WORKING TEMP.	-20°F~122°F/32°F~140°F (For EM)



SAFETY INFORMATION

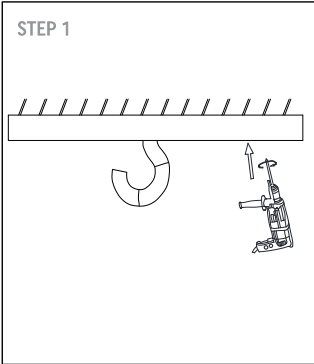
BE SURE THE POWER IS OFF! RISK OF ELECTRICAL SHOCK: Always use the switch to power off. Do not perform any operations while this unit is powered on. The electrical system you want to connect the device to must be grounded. Read the instructions before using or powering this device. The safety instructions must remain with the unit in case of transfer. Any damage to the device linked to an inappropriate use is excluded from support by the warranty. Before connecting, make sure that the current and voltage are compatible with this device. We highly recommend that all installations are made by QUALIFIED ELECTRICIAN. We are NOT responsible by any means for the use or misuse of the following information. We are NOT responsible in whole or part for any harm or damage that may or may not be caused. We reserve the right to revise the components of any product, due to part availability or change ETL, CUL, UL standards without assuming any obligation or liability to modify any products previously manufactured and without notice. These instructions do not cover all details of variations in equipment, nor do they provide every possible contingency to be met. Turn off / unplug power when installing or service device.

PRE - INSTALLATION

- Read carefully before installing fixture. Retain for future reference.
- Failure to follow instructions may result in serious injury or death
- Upon receipt the fixture, thoroughly inspect for any freight damage which should be brought to the attention of the delivery carrier. Compare the catalog description listed on the package slip with the fixture label on the housing to assure you have received material.
- This fixture must be wired in accordance with the international electrical code and applicable local codes and ordinances. Proper grounding is required to insure personal safety. Carefully observe the correct grounding procedure under installation section.

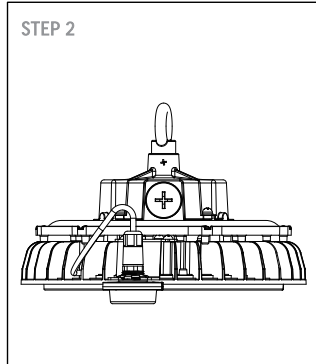
HOOK MOUNT INSTALLATION (Caution: Before beginning installation turn off the circuit breaker and light switch)

STEP 1



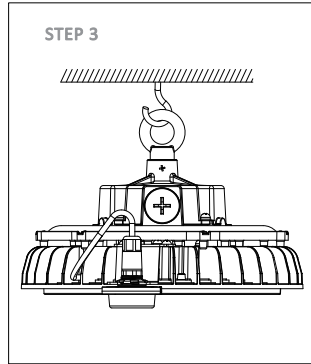
Drilling holes in the ceiling, and install the expansion hook.

STEP 2



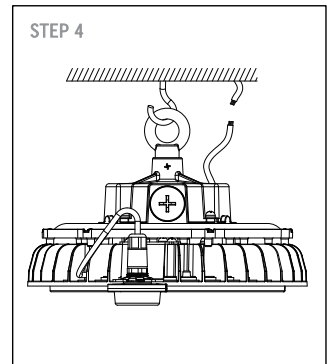
Twist and fasten the ring from accessories bag to the fixture.

STEP 3



Install the fixture to the hook. And fasten the safety cable.

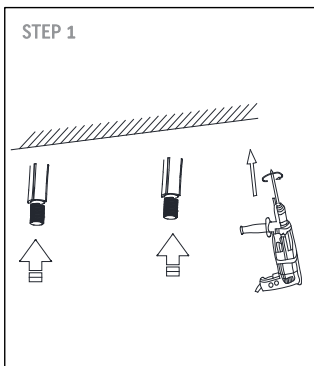
STEP 4



Wiring to power leads as per provided wiring diagram.

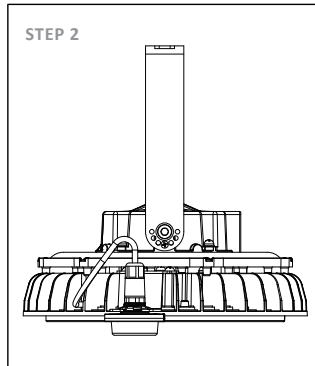
TRUNNION SURFACE INSTALLATION (Caution: Before beginning installation turn off the circuit breaker and light switch)

STEP 1



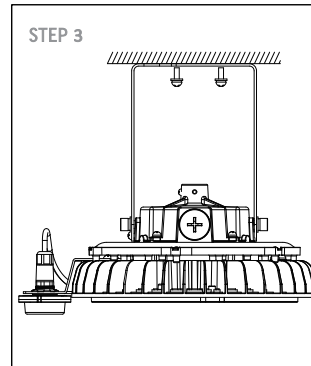
Drilling holes in the ceiling and install the expansion screws

STEP 2



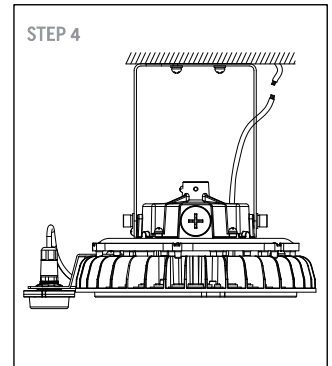
Install the trunnion bracket to fixture. Adjust to desired angle before fastening

STEP 3



Fix the trunnion and fixture to the ceiling.

STEP 4

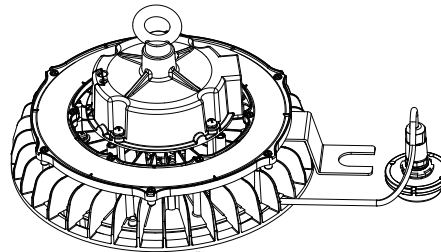
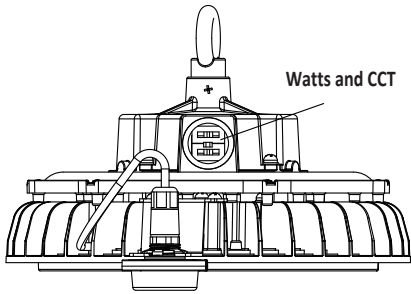


Wiring to power leads as per provided wiring diagram.

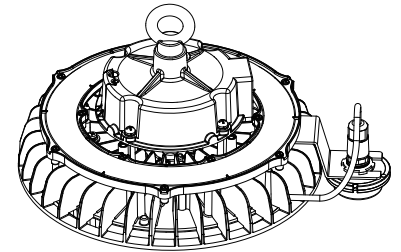
INSTALLATION MANUAL

CCT AND LUMEN OUTPUT SELECTABLE

SENSOR INSTALLATION

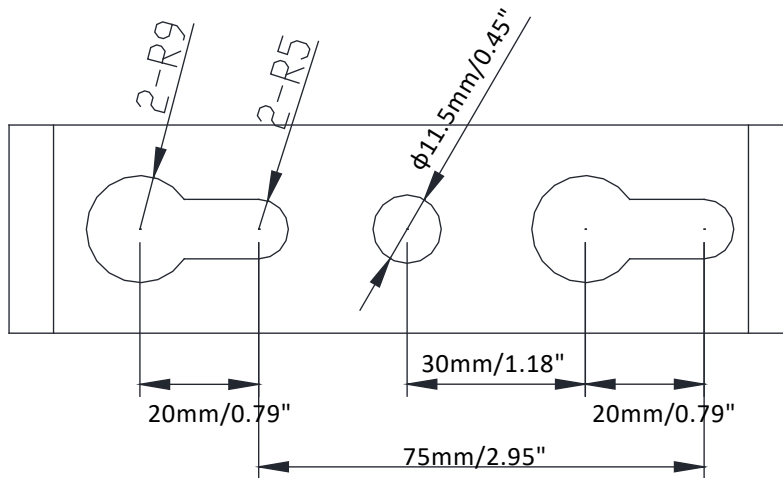


Step 1: Turn off the sensor nut and install the sensor in the bracket card slot.



Step 2: Tighten sensor nut to complete installation

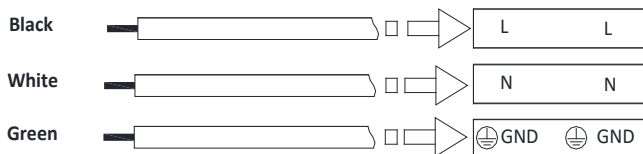
DRILLING PATTERN FOR TRUNNION SURFACE MOUNT



Anchor Bolts M8x80

WIRING DIAGRAM (Caution: Before beginning installation turn off the circuit breaker and light switch)

AC cord



0-10V dimmable

