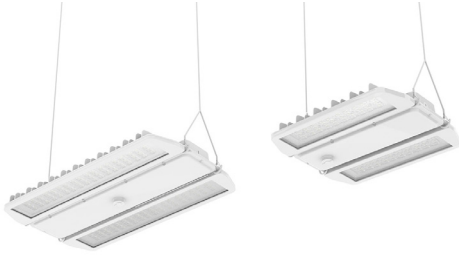


INSTALLATION MANUAL

PRODUCT PARAMETER	
INPUT VOLTAGE	120-277, 347 -480V Optional
DISTRIBUTION	120°/90°/Aisle
WORKING TEMP	-20°F~122°F/32°F~122°F (For EM)



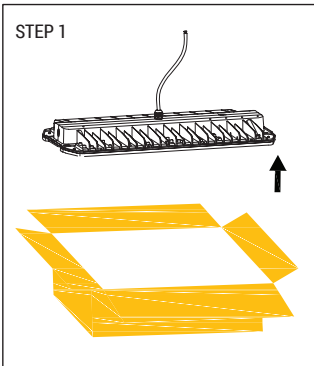
SAFETY INFORMATION

BE SURE THE POWER IS OFF! RISK OF ELECTRICAL SHOCK: Always use the switch to power off. Do not perform any operations while this unit is powered on. The electrical system you want to connect the device to must be grounded. Read the instructions before using or powering this device. The safety instructions must remain with the unit in case of transfer. Any damage to the device linked to an inappropriate use is excluded from support by the warranty. Before connecting, make sure that the current and voltage are compatible with this device. We highly recommend that all installations are made by QUALIFIED ELECTRICIAN. We are NOT responsible by any means for the use or misuse of the following information. We are NOT responsible in whole or part for any harm or damage that may or may not be caused. We reserve the right to revise the components of any product, due to part availability or change ETL, CUL, UL standards without assuming any obligation or liability to modify any products previously manufactured and without notice. These instructions do not cover all details of variations in equipment, nor do they provide every possible contingency to be met. Turn off / unplug power when installing or service device.

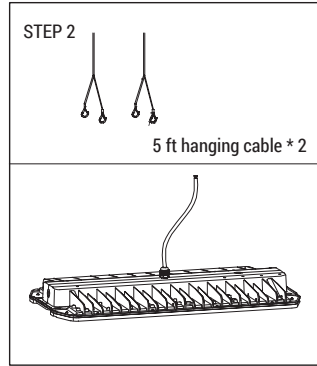
PRE - INSTALLATION

- Carefully remove the fixture from the carton.
- Before beginning assembly, installation, or operation of product, make sure all parts are present. Compare parts with package contents list and diagram on previous page. If any part is missing or damaged, do not attempt to assemble, install or operate the product. Contact customer service for replacement parts.
- Tools required for assembly (Not Included): screwdriver, phillips screwdriver, pliers, electrical tape, wire cutters, safety glasses, ladder, wire stripper.

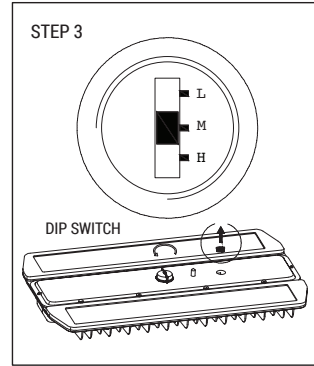
DIRECT AND INDIRECT CABLE INSTALLATION LHA-L (Caution: Before beginning installation turn off the circuit breaker and light switch)



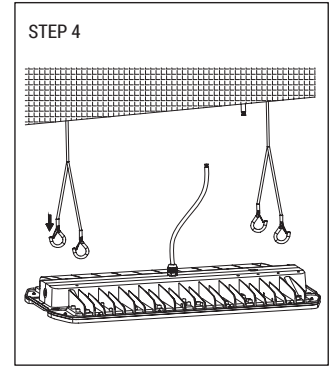
Inspect the packaging.



Check included accessories

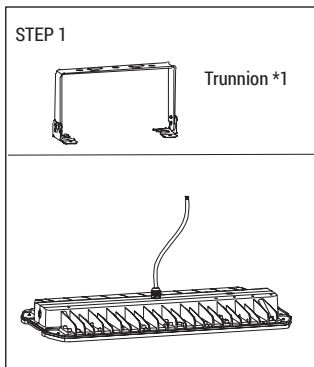


Before installation, remove the 1/2" cap and choose the desired lumen output

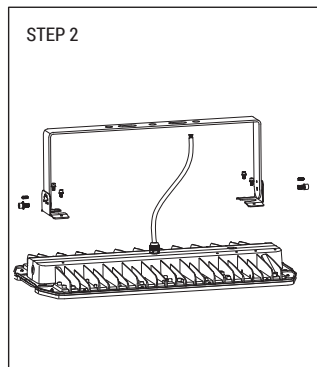


Fix the hanging cables to ceiling, then hook the fixture. Wiring the cord as per page 3.

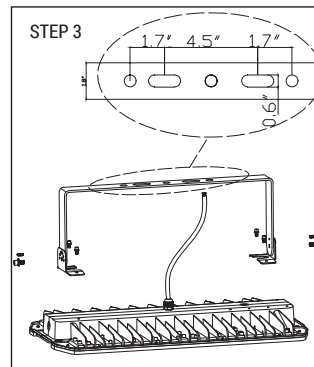
SURFACE MOUNT INSTALLATION LHA-L (Caution: Before beginning installation turn off the circuit breaker and light switch)



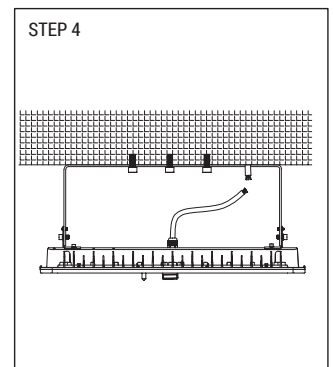
Check fixture and included accessories.



Using trunnion to position drilling points. Then install the two small brackets to fixture.



Fix the trunnion to ceiling

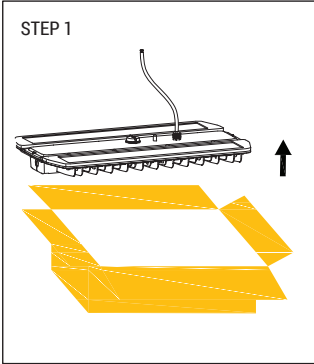


Using provided bolts to joint the brackets of fixture to trunnion. Adjust to desired beaming angle before final fasten bolts. Wiring as per page 3.

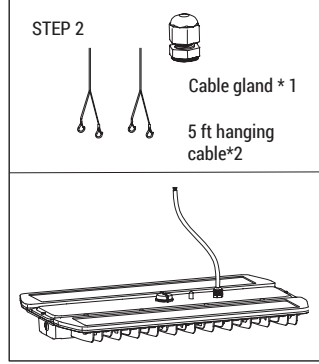
INSTALLATION MANUAL

INDIRECT HANGING MOUNT LHA-L (Caution: Before beginning installation turn off the circuit breaker and light switch)

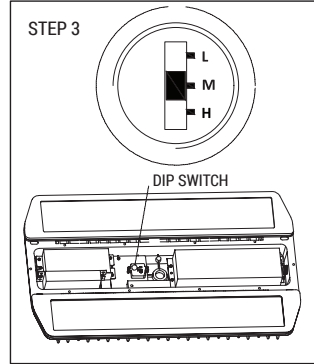
PLEASE NOTE THERE'S NO BUILT IN SENSOR OPTION FOR INDIRECT HANGING MOUNT



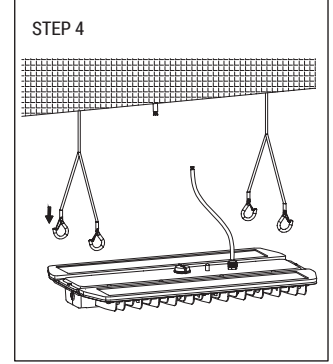
Inspect the packaging.



Check included accessories

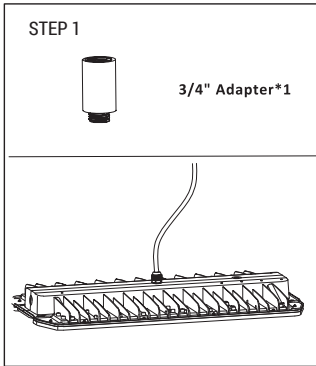


Before installation, remove the 1/2" cap and choose the desired lumen output

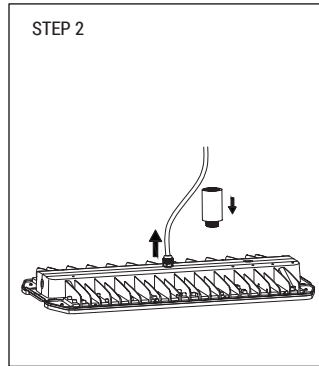


Fix the hanging cables to ceiling, then hook the fixture. Wiring the cord as per page 3.

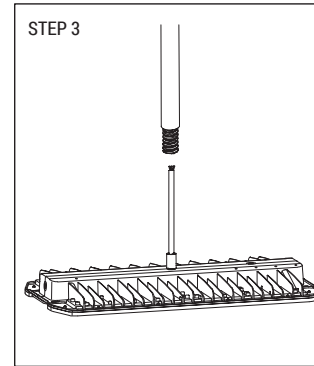
STEM PENDANT MOUNT LHA-L (Caution: Before beginning installation turn off the circuit breaker and light switch)



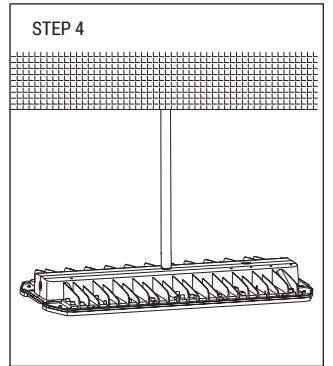
Check the fixture and included accessories.



Remove the cable gland.

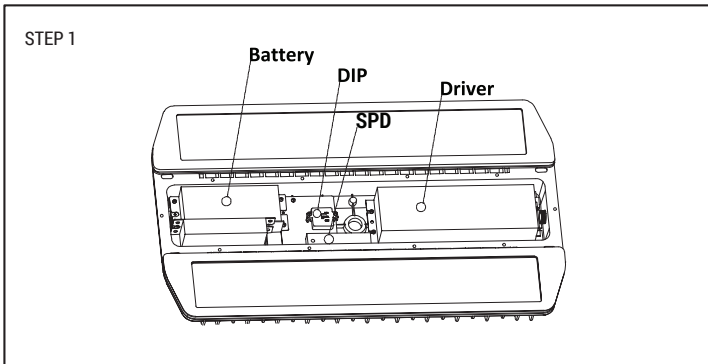


Lead the wires through adapter and pipe (by others).

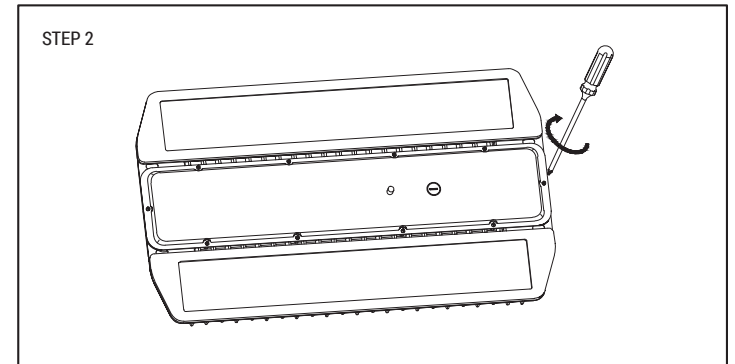


Fasten the pipe to adapter. Wiring as per page 3.

MAINTENANCE-REPLACE DRIVER LHA-L (Caution: Before beginning replacement turn off the circuit breaker and light switch)



Open driver box of the fixture. Remove the defective driver and replace with new wiring

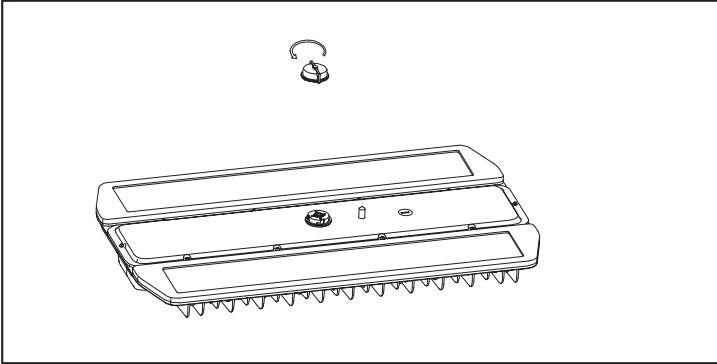


After driver replaced. Align back the plate cover and fasten.

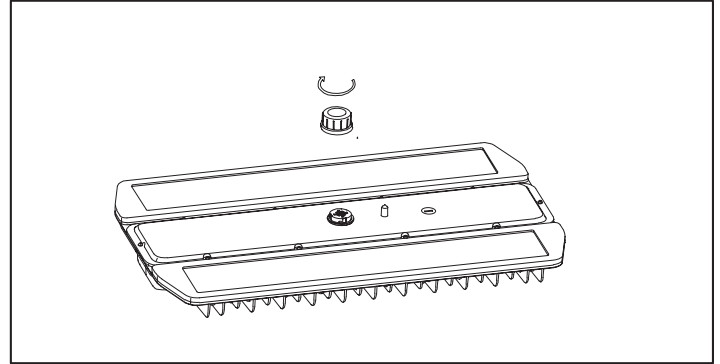
INSTALLATION MANUAL

SENSOR INSTALLATION LHA-L (Caution: Before beginning installation turn off the circuit breaker and light switch)

PLEASE NOTE THERE'S NO BUILT IN SENSOR OPTION FOR INDIRECT HANGING MOUNT

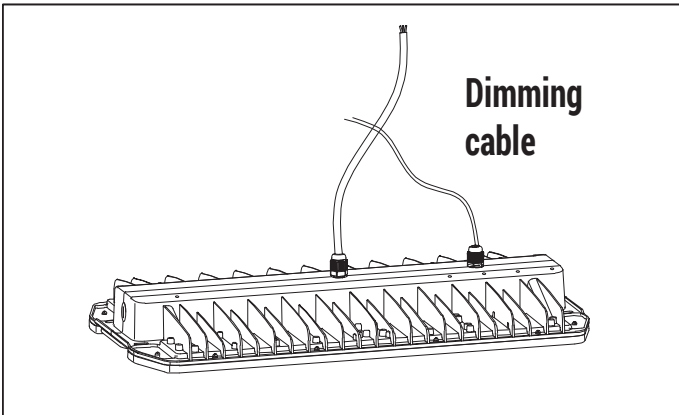


Counterclockwise twisting the receptacle cap and remove it.



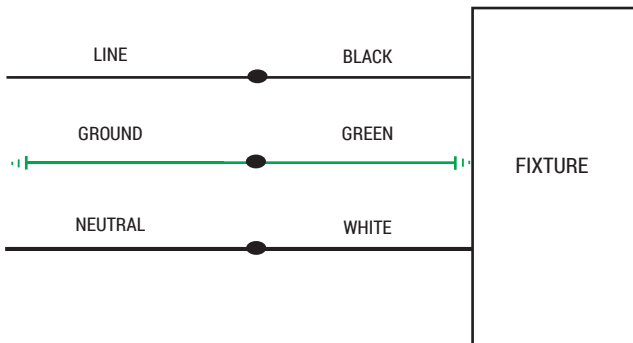
Plug in the sensor and clockwise to fasten.

DIMMING CABLE INSTALLATION LHA-L (Caution: Before beginning replacement turn off the circuit breaker and light switch)

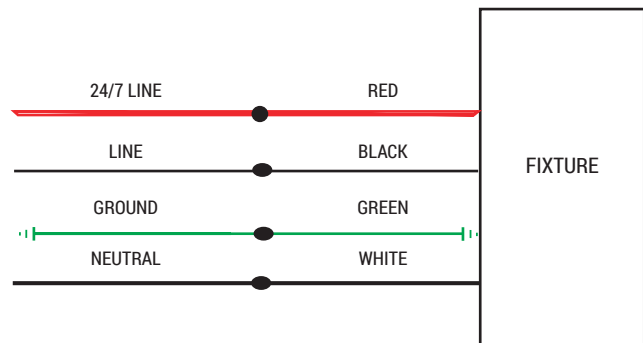


Note: Fixture comes with standard 3-core cable, and 5ft dimming cable as accessory. Please refer to our Tech-support for adding dimming cables.

WIRING DIAGRAM LHA-L (Caution: Before beginning installation turn off the circuit breaker and light switch)



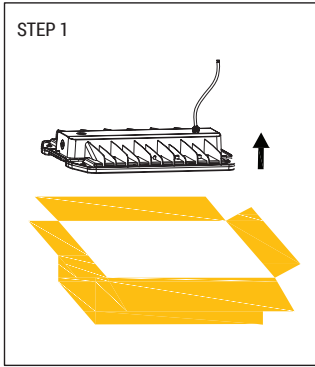
STANDARD 3-WIRE WIRING



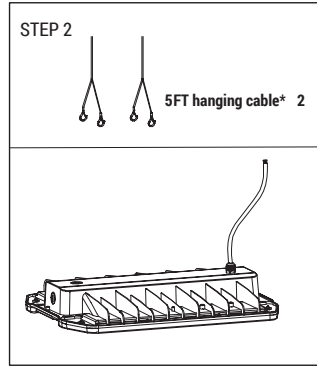
EM 4-WIRE WIRING

INSTALLATION MANUAL

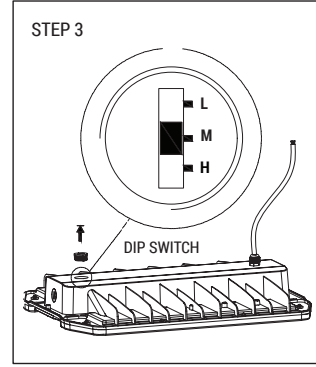
DIRECT AND INDIRECT CABLE INSTALLATION LHA-S (Caution: Before beginning installation turn off the circuit breaker and light switch)



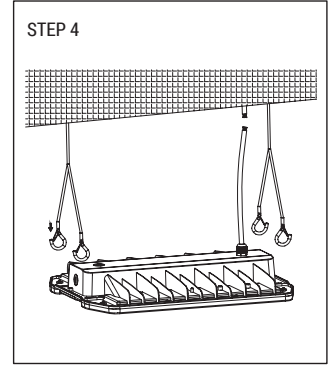
Inspect the packaging.



Check included accessories

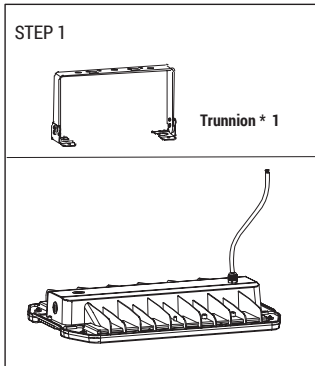


Before installation, remove the 1/2" cap and choose the desired lumen output

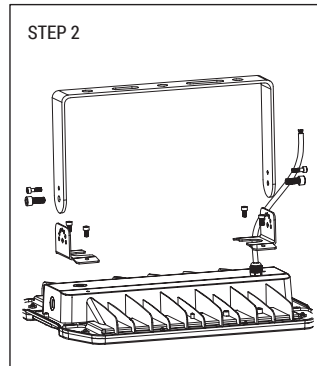


Fix the hanging cables to ceiling, then hook the fixture. Wiring the cord as per page 6.

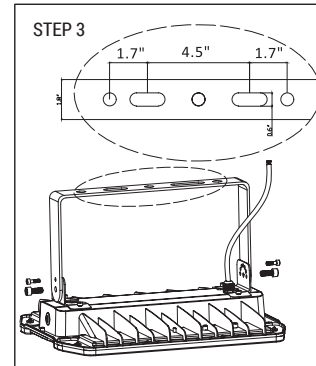
SURFACE MOUNT INSTALLATION LHA-S (Caution: Before beginning installation turn off the circuit breaker and light switch)



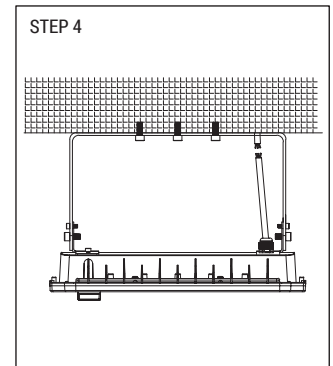
Check fixture and included accessories.



Using trunion to position drilling points. Then install the two small brackets to fixture.



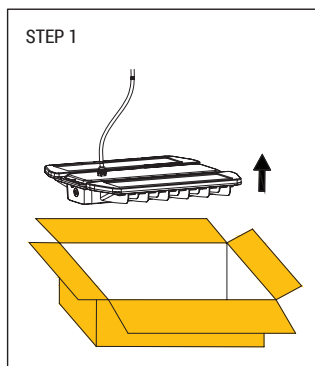
Fix the trunion to ceiling



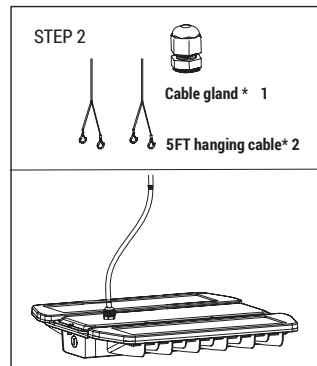
Using provided bolts to joint the brackets of fixture to trunion. Adjust to desired beaming angle before final fasten bolts. Wiring as per page 6.

INDIRECT HANGING MOUNT LHA-S (Caution: Before beginning installation turn off the circuit breaker and light switch)

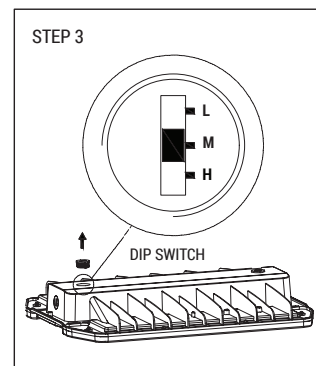
PLEASE NOTE THERE'S NO BUILT IN SENSOR OPTION FOR INDIRECT HANGING MOUNT



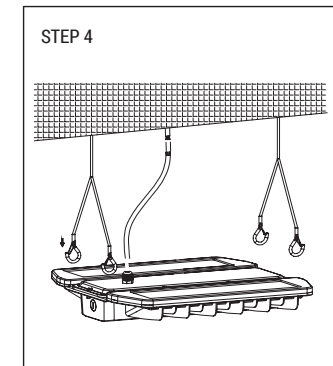
Inspect the packaging.



Check included accessories



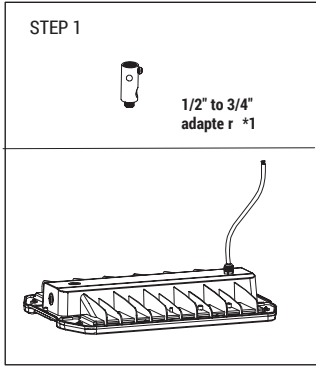
Before installation, remove the 1/2" cap and choose the desired lumen output



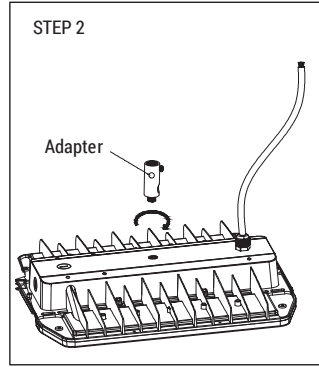
Fix the hanging cables to ceiling, then hook the fixture. Wiring the cord as per page 6.

INSTALLATION MANUAL

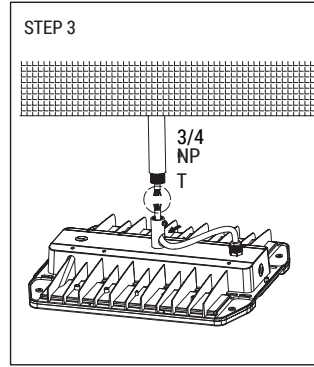
STEM PENDANT MOUNT LHA-S (Caution: Before beginning installation turn off the circuit breaker and light switch)



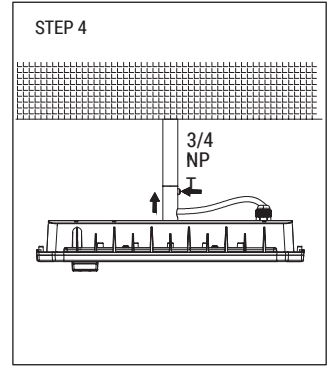
Check the fixture and included accessories.



Twist and fasten the 1/2" end to the fixture.

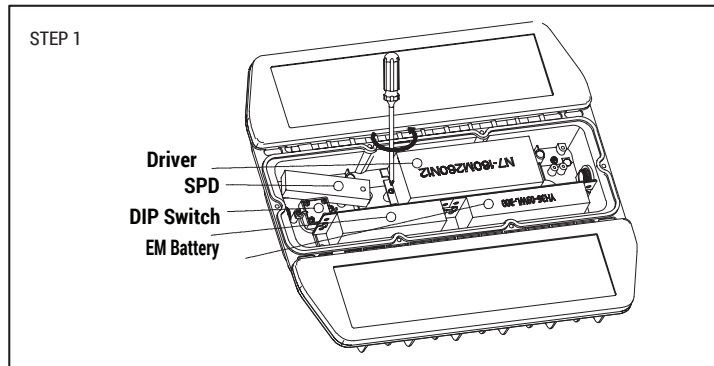


Feed the cable through the adapter

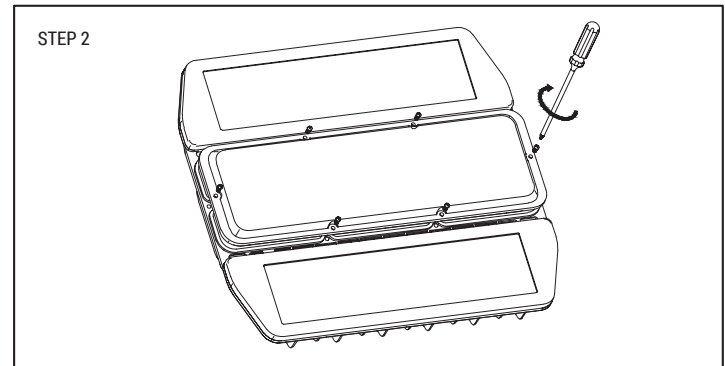


Continue lead the cable through the stem, finish wiring check page 6, Twist the stem (Provided by others) to the adapter and the canopy.

MAINTENANCE-REPLACE DRIVER LHA-S (Caution: Before beginning replacement turn off the circuit breaker and light switch)



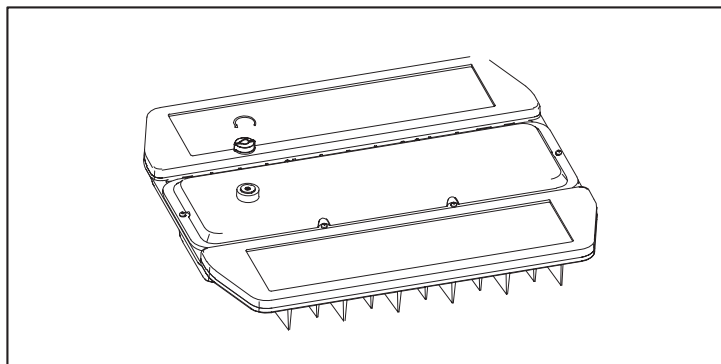
Open driver box of the fixture. Remove the defective driver and replace with new wiring



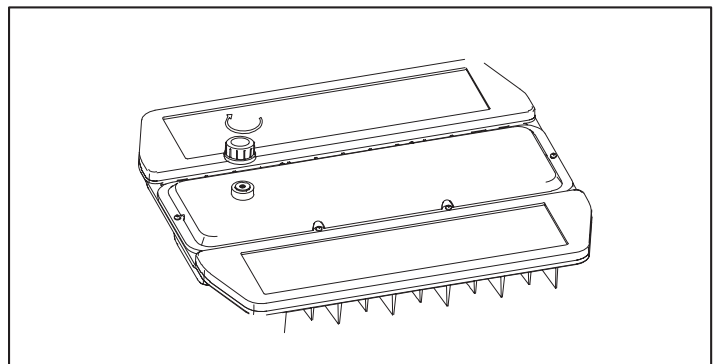
After driver replaced. Align back the plate cover and fasten.

SENSOR INSTALLATION LHA-S (Caution: Before beginning installation turn off the circuit breaker and light switch)

PLEASE NOTE THERE'S NO BUILT IN SENSOR OPTION FOR INDIRECT HANGING MOUNT



Counterclockwise twisting the receptacle cap and remove it.



Plug in the sensor and clockwise to fasten.

INSTALLATION MANUAL

WIRING DIAGRAM LHA-S (Caution: Before beginning installation turn off the circuit breaker and light switch)

