

INSTALLATION MANUAL

PRODUCT PARAMETER	
INPUT VOLTAGE	120 - 277V
DISTRIBUTION	T5
WORKING TEMP.	-40°F~122°F



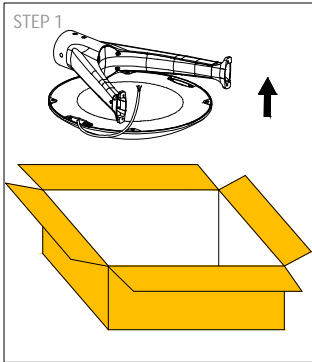
SAFETY INFORMATION

BE SURE THE POWER IS OFF! RISK OF ELECTRICAL SHOCK: Always use the switch to power off. Do not perform any operations while this unit is powered on. The electrical system you want to connect the device to must be grounded. Read the instructions before using or powering this device. The safety instructions must remain with the unit in case of transfer. Any damage to the device linked to an inappropriate use is excluded from support by the warranty. Before connecting, make sure that the current and voltage are compatible with this device. We highly recommend that all installations are made by **QUALIFIED ELECTRICIAN**. We are **NOT** responsible by any means for the use or misuse of the following information. We are **NOT** responsible in whole or part for any harm or damage that may or may not be caused. We reserve the right to revise the components of any product, due to part availability or change ETL, CUL, UL standards without assuming any obligation or liability to modify any products previously manufactured and without notice. These instructions do not cover all details of variations in equipment, nor do they provide every possible contingency to be met. Turn off / unplug power when installing or service device.

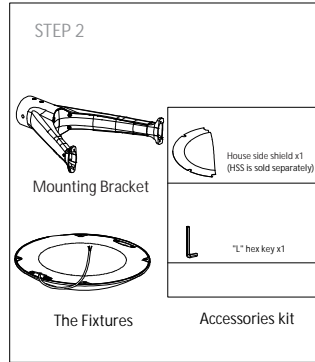
PRE - INSTALLATION

- Read carefully before installing fixture. Retain for future reference.
- Failure to follow instructions may result in serious injury or death
- Upon receipt the fixture, thoroughly inspect for any freight damage which should be brought to the attention of the delivery carrier. Compare the catalog description listed on the package slip with the fixture label on the housing to assure you have received material.
- This fixture must be wired in accordance with the international electrical code and applicable local codes and ordinances. Proper grounding is required to insure personal safety. Carefully observe the correct grounding procedure under installation section.

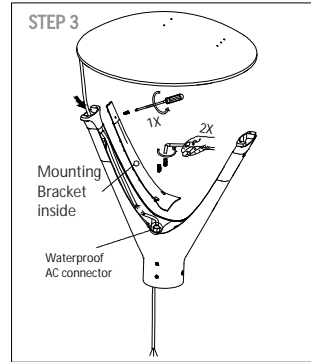
PTN INSTALLATION (Caution: Before beginning installation turn off the circuit breaker and light switch)



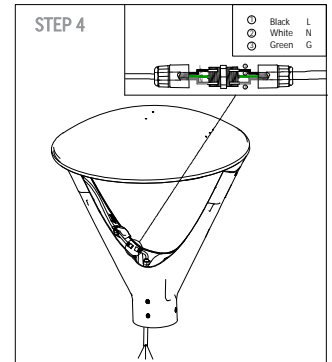
Inspect the packaging, carefully take out the fixture and the mounting bracket and accessories



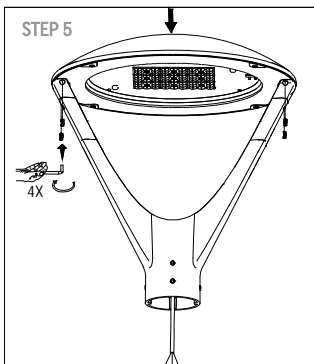
Checking all parts included accessories



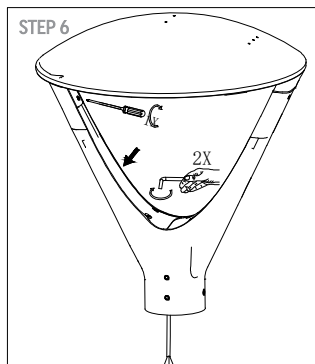
Remove cover of mounting , run the AC cord through the mounting bracket



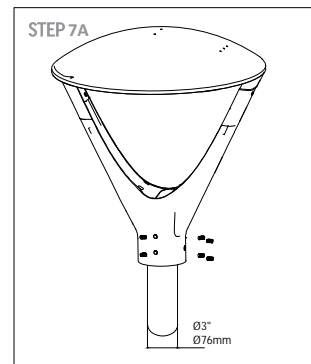
Connect the AC cord with AC connector.



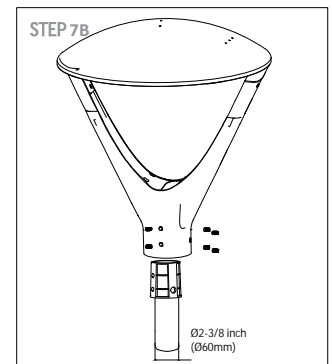
Align the screw holes of fixtures and mounting bracket ,fasten with screws.



Put back the Mounting bracket cover, fasten with screws.



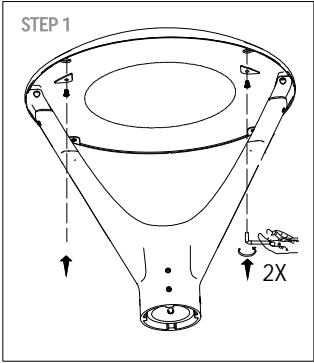
Ø3" lighting pole
Place the lighting on the mounting column and lock the screws



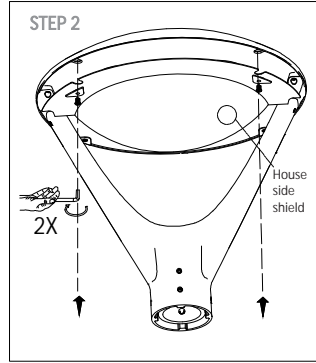
Ø2-3/8 inch pole
fixture comes with an removeable adapter slip fit onto standard 2-3/8 inch tenon

INSTALLATION MANUAL

PTN-HSS INSTALLATION (Caution: Before beginning installation turn off the circuit breaker and light switch)

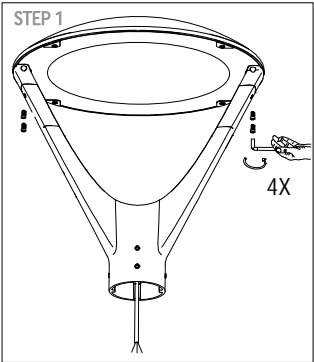


Remove the 2pcs of screws and cushions from fixture

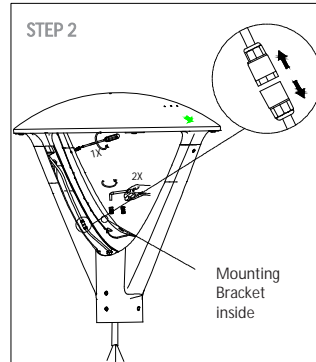


Align the screw holes of HSS with the holes of Fixtures, then fasten this two screws

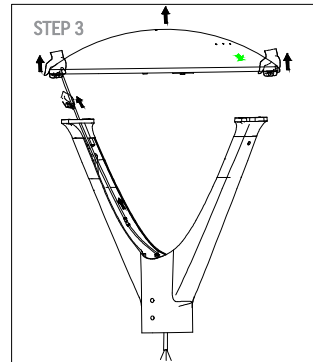
PTN FIXTURES REPLACEMENT INSTALLATION (Caution: Before beginning installation turn off the circuit breaker and light switch)



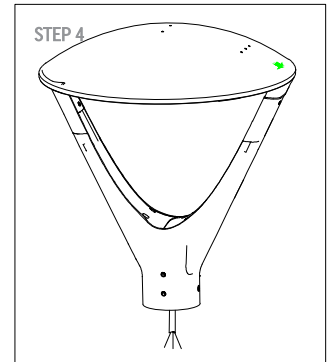
Remove the 4pcs screws from fixture and mounting bracket



Remove the mounting bracket cover, disconnect the AC connector

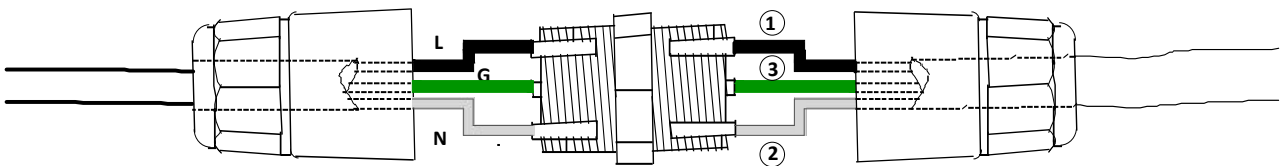


Remove the screws and take off fixtures and remove AC cord, replace with new fixtures.



Follow same steps from step 3 to 6 above,

WIRING DIAGRAM (Caution: Before beginning installation turn off the circuit breaker and light switch)



Standard 3-wire Wiring

INSTALLATION MANUAL

No. ① connects to Black LINE
No. ② connects to White NEUTRAL
No. ③ connects to Green GROUND