

INSTALLATION MANUAL

INSTALLATION (CAUTION: BEFORE BEGINNING INSTALLATION TURN OFF CIRCUIT BREAKER AND LIGHT SWITCH)



SAFETY INFORMATION

BE SURE THE POWER IS OFF! We highly recommend that all installations are made by a Licensed Electrical Contractor. We are NOT responsible by any means for the use or misuse of the following information. We are NOT responsible in whole or in part for any harm or damage that may or may not be caused. We reserve the right to revise the components of any product, due to parts availability or change in ETL, CUL or UL standards without assuming any obligation or liability to modify any products previously manufactured and without notice. These instructions do not cover all details of variations in equipment, nor do they provide of every possible contingency to be met in. Turn off/ unplug power to installing or servicing this fixture. Do not operate if cover shields are damaged. Do not adjust fixture angle exceed 360° through swivel. After installation, the edge of wall canopy should be properly sealed with glue to protect fixture's wiring from potential water or others.

NOT INTENDED FOR USE WITH EMERGENCY EXITS

NOT SUITABLE FOR WET LOCATIONS

CONSULT A QUALIFIED ELECTRICIAN TO ENSURE CORRECT BRANCH CIRCUIT CONDUCTOR

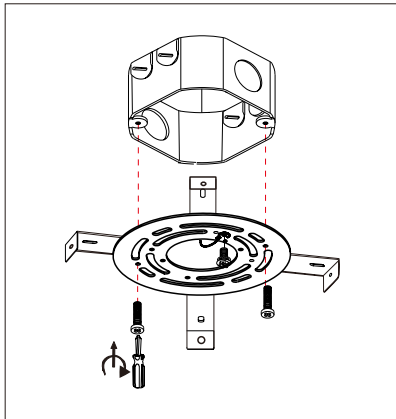
PRE - INSTALLATION

- CAREFULLY REMOVE THE FIXTURE FROM THE CARTON
- BEFORE BEGINNING ASSEMBLY, INSTALLATION OR OPERATION OF PRODUCT, MAKE SURE ALL PARTS ARE PRESENT. COMPARE PARTS WITH PACKAGE CONTENTS LIST AND DIAGRAM ON PREVIOUS PAGE. IF ANY PARTS ARE MISSING OR DAMAGED, DO NOT ATTEMPT TO ASSEMBLE, INSTALL OR OPERATE THIS PRODUCT. CONTACT CUSTOMER SERVICE FOR REPLACEMENT PARTS.
- TOOLS REQUIRED FOR ASSEMBLY (NOT INCLUDED): DRILL, SCREWDRIVER, PHILLIPS SCREWDRIVER, PLIERS, ELECTRICAL TAPE, WIRE CUTTERS, SAFETY GLASSES, LADDER, WIRE STRIPPER

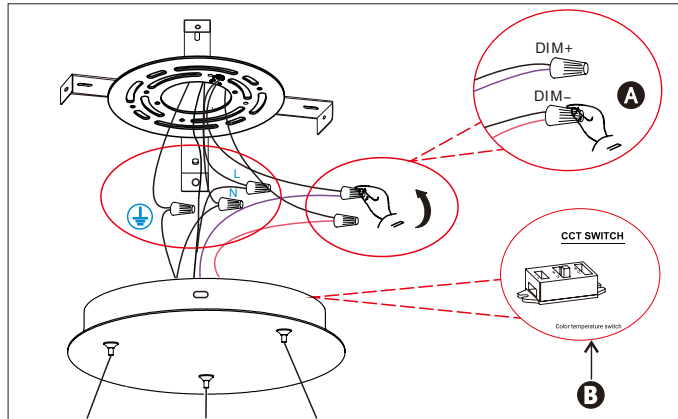
PRODUCT PARAMETERS

INPUT VOLTAGE	100V-277V
DRIVER	BUILT IN DRIVER
MATERIAL	METAL ALLOY BODY

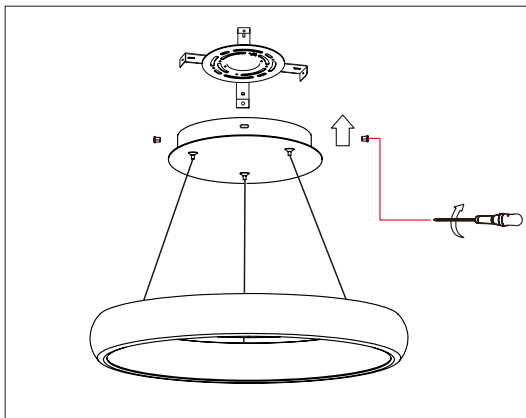
SUSPENDED MOUNT INSTALLATION



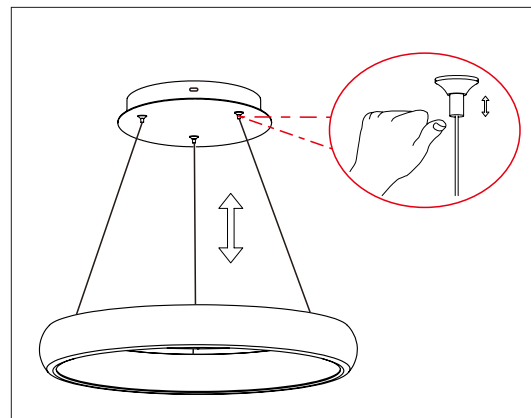
STEP 1:
FASTEN MOUNTING PLATE TO J BOX



STEP 2:
CONNECT WIRES



STEP 3:
TIGHTEN THE CANOPY TO MOUNT PLATE WITH PROVIDED SCREWS

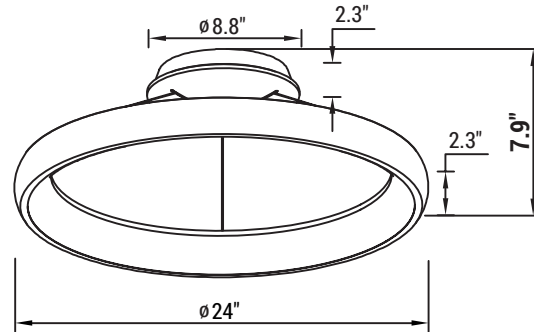


STEP 4:
PRESS BUTTONS TO ADJUST AIRCRAFT CABLE LENGTH.
INSTALLATION COMPLETE

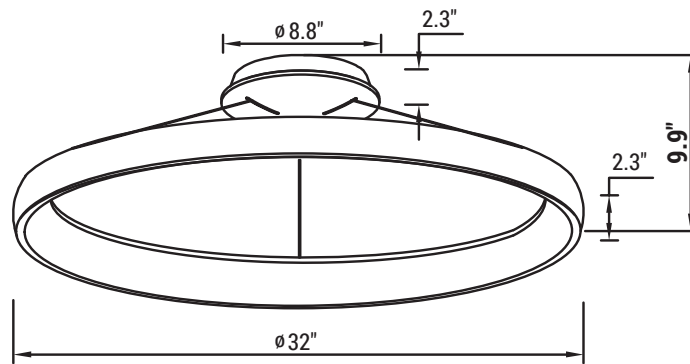
INSTALLATION MANUAL

INSTALLATION (CAUTION: BEFORE BEGINNING INSTALLATION TURN OFF CIRCUIT BREAKER AND LIGHT SWITCH)

RIR-2424L



RIR-3236L



RIR-4048L

