

STPH2

Strip Light Selectable

KEY TECHNICAL DATA

INPUT VOLTAGE	120-277V
CONTROL	0-10V
WORKING TEMP.	-4°F ~ 122°F

SAFETY INFORMATION

BE SURE THE POWER IS OFF! RISK OF ELECTRICAL SHOCK: Always use the switch to power off. The electrical system you want to connect the device to must be grounded. Read the instructions before using or powering this device. The safety instructions must remain with the unit in case of transfer. Any damage to the device linked to an inappropriate use is excluded from support by the warranty. Before connecting, make sure that the current and voltage are compatible with this device. We highly recommend that all installations are made by QUALIFIED ELECTRICIAN. We are NOT responsible in whole or part for any harm or damage that may or may not be caused. We reserve the right to revise the components of any product, due to part availability or change ETL, CUL, UL standards without assuming any obligation or liability to modify any products previously manufactured and without notice. These instructions do not cover all details of variations in equipment, nor do they provide every possible contingency to be met. Turn off / unplug power when installing or service device.

PRE. INSTALLATION

- Carefully remove the fixture from the carton.
- Before beginning assembly, installation, or operation of product, make sure all parts are present. Compare parts with package contents list and diagram on previous page. If any part is missing or damaged, do not attempt to assemble, install or operate the product. Contact customer service for replacement parts.
- Tools required for assembly (Not Included): screwdriver, phillips screwdriver, pliers, electrical tape, wire cutters, safety glasses, ladder, wire stripper.

WARNINGS

- Avoid direct exposure to the light source while it is on
- Account for small parts and destroy packaging material, as these may be hazardous to children
- Risk of burn. Disconnect power and allow fixture to cool before changing bulb or handling fixture

Notice: Green ground screw provided in proper location. Do not relocate.

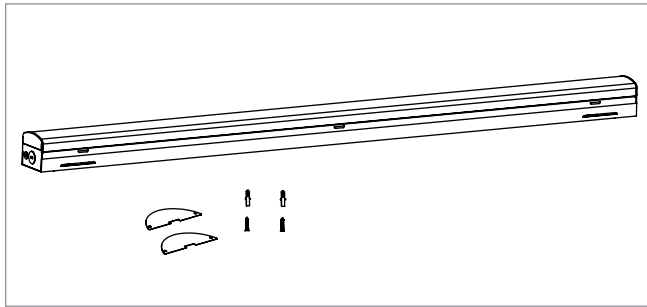
Notice: Minimum 90° supply conductors.

Notice: Specifications and dimensions subject to change without notice.

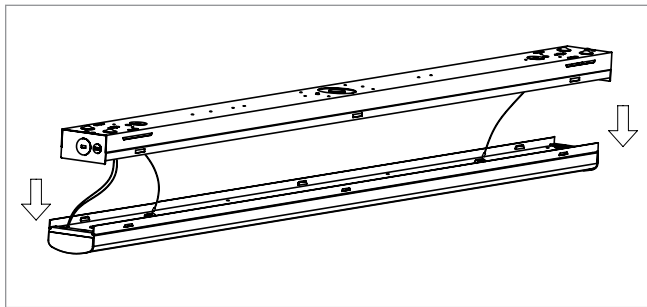
Notice: Suitable for dry or damp location.

SURFACE MOUNTING INSTALLATION

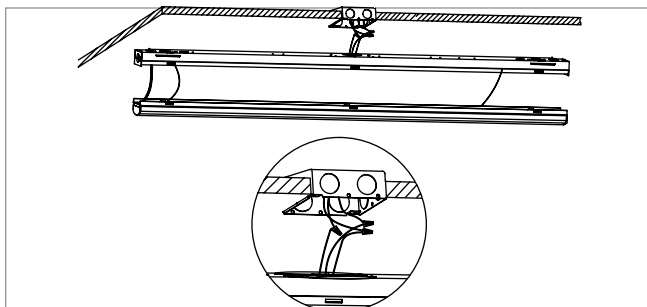
— Before beginning installation, turn off the circuit breaker



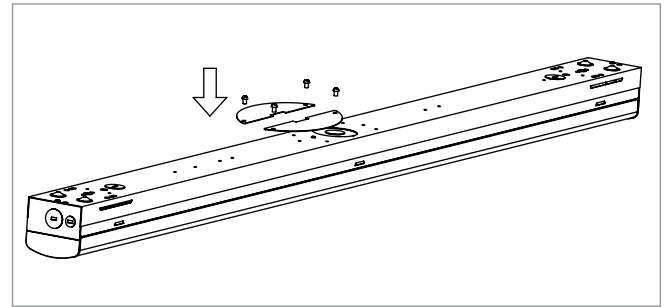
→STEP 1
Take out the light fixture and accessories package from the box.



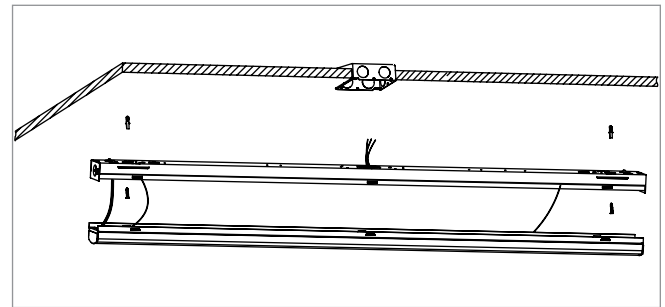
→STEP 3
Open the module board down.



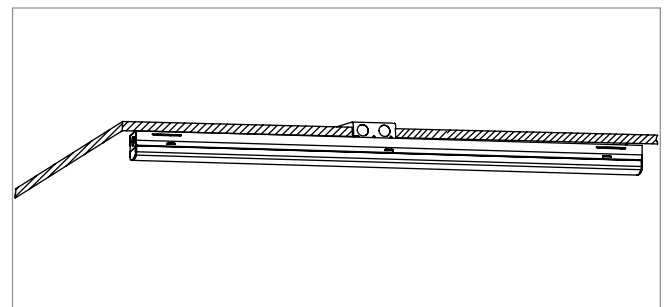
→STEP 5
Wire to main power through the junction box.



→STEP 2
Fix the baffle on the lamp.



→STEP 4
Fix the lamp to the ceiling with the plastic sleeve and screws provided.



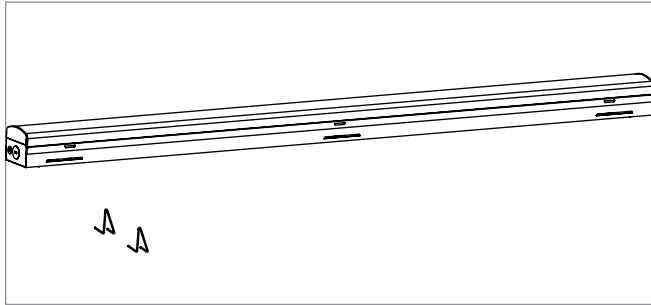
→STEP 6
Assemble the module board upwards. The installation is completed.

STPH2

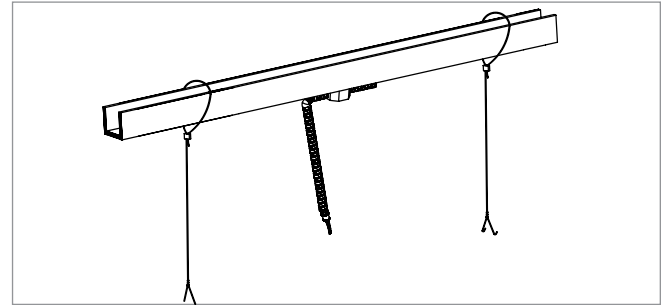
Strip Light Selectable

CABLE SUSPENDED INSTALLATION

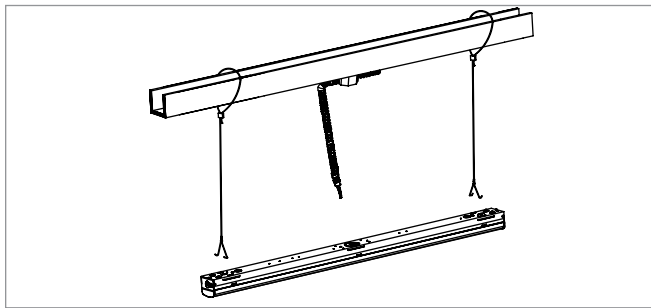
—Before beginning installation, turn off the circuit breaker



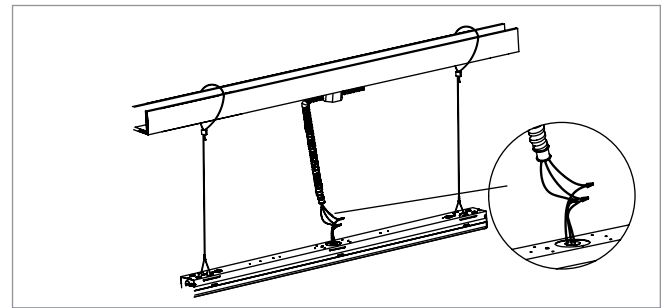
—STEP 1
Take out the light fixture and accessories package from the box.



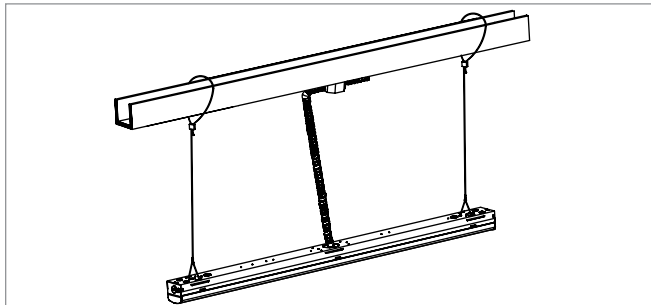
—STEP 2
Attach V-hooks to the cable



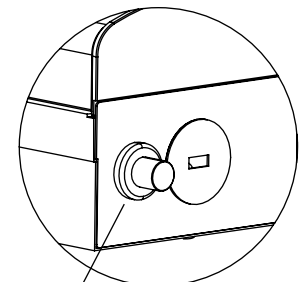
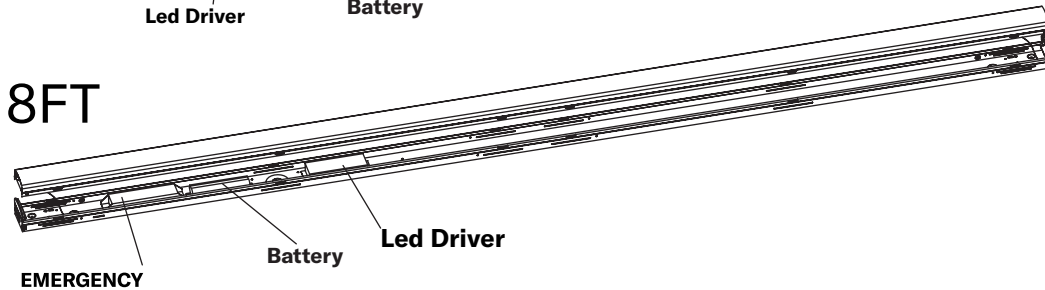
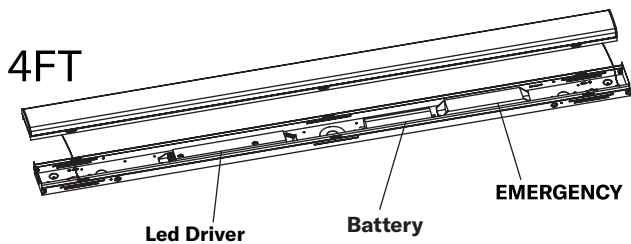
—STEP 3
Connect the V-hook to the lamp.



—STEP 4
Connect the AC wires.



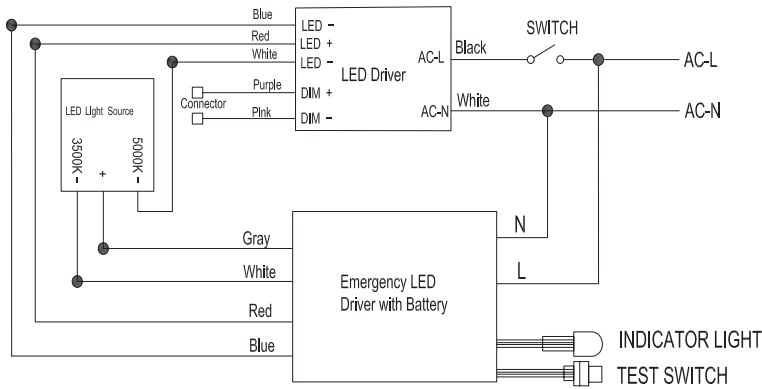
—STEP 5
The installation is completed.



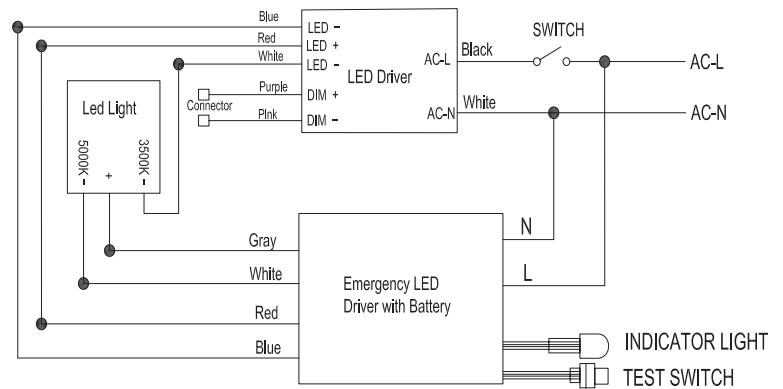
Test Switch

GENERAL WIRING DIAGRAM

if emergency color temperature is 3500K and 4000K

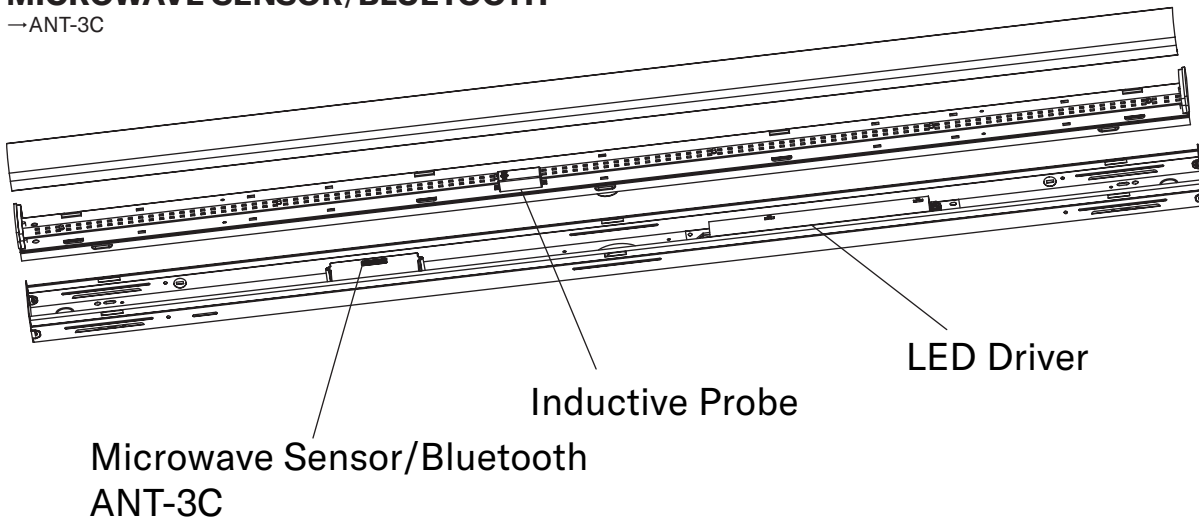


if emergency color temperature is 4000K and 5000K

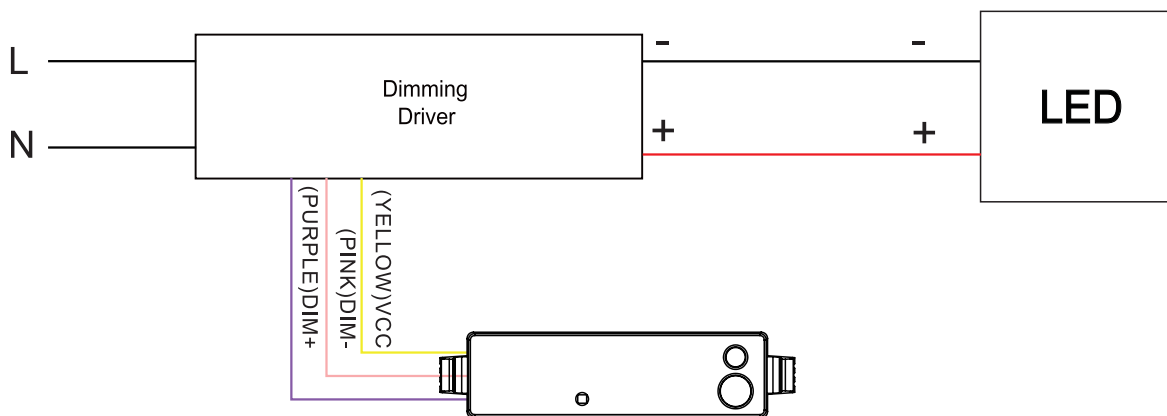


MICROWAVE SENSOR/BLUETOOTH

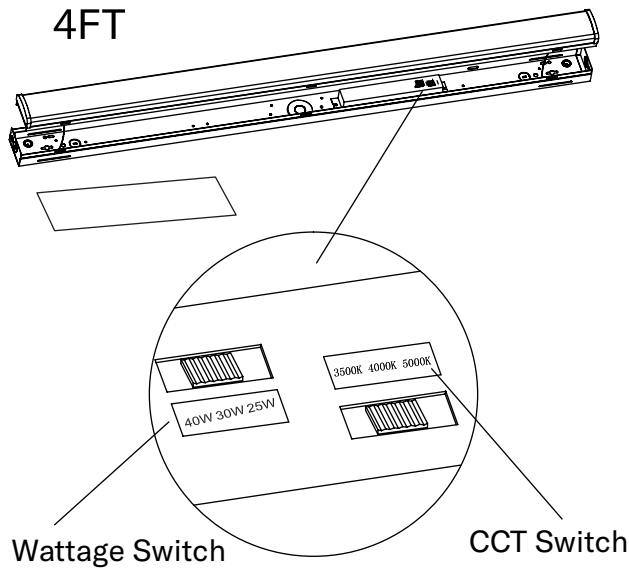
—ANT-3C



GENERAL WIRING DIAGRAM

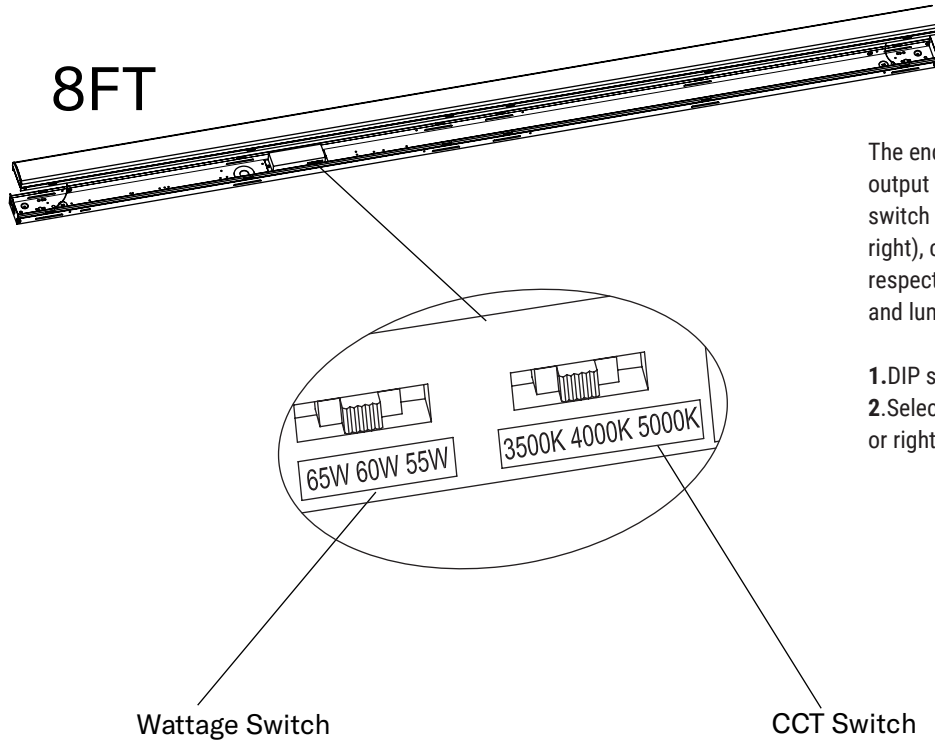


FIELD-ADJUSTABLE WATTAGE & CCT



The end users may adjust the color temperature and lumen output respectively by the two DIP switch. Each DIP switch is accommodated with 3 options (left, middle and right), corresponding to 3 color temperatures and 3 powers respectively, which can perform the desired color temperature and lumen output combination.

1. DIP switches are located onto the side of the fixture.
2. Select a wattage and color temperature by sliding switch left or right respectively to the desired value



The end users may adjust the color temperature and lumen output respectively by the two DIP switch. Each DIP switch is accommodated with 3 options (left, middle and right), corresponding to 3 color temperatures and 3 powers respectively, which can perform the desired color temperature and lumen output combination.

1. DIP switches are located onto the side of the fixture.
2. Select a wattage and color temperature by sliding switch left or right respectively to the desired value.

PROBLEM	POSSIBLE CAUSE	SOLUTION	CARE & MAINTENANCE
Light will not come on	A. Light switch is turned off. B. Fuse is blown or circuit breaker is turned off. C. Incorrect circuit wiring	A. Turn light switch on B. Replace fuse or turn circuit breaker on C. Verify that fixture is wired properly	CAUTION: Before attempting to clean the fixture, disconnect the power to the fixture by turning the breaker off or removing the fuse from the fuse box. This LED light fixture is made from quality materials that will last many years with minimum care and maintenance. You may want to clean the fixture with a soft cloth periodically. To maintain the best appearance of the fixture, do not use cleaners with chemicals, solvents or harsh abrasives. Do not use liquid cleaner on the LEDs, LED driver, or wiring inside the light fixture.