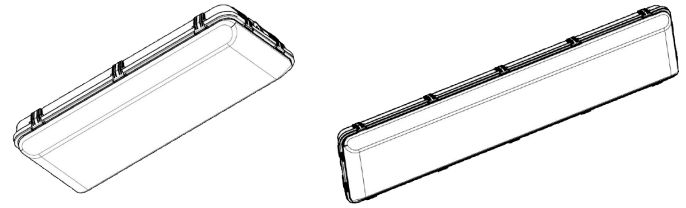


KEY TECHNICAL DATA

INPUT VOLTAGE	120 - 277V
VALIDATION	IP66, NEMA, NSF
OPERATION TEMP	-40°F ~ 122°F

SAFETY INFORMATION

BE SURE THE POWER IS OFF! RISK OF ELECTRICAL SHOCK: Always use the switch to power off. The electrical system you want to connect the device to must be grounded. Read the instructions before using or powering this device. The safety instructions must remain with the unit in case of transfer. Any damage to the device linked to an inappropriate use is excluded from support by the warranty. Before connecting, make sure that the current and voltage are compatible with this device. We highly recommend that all installations are made by QUALIFIED ELECTRICIAN. We are NOT responsible by any means for the use or misuse of the following information. We are NOT responsible in whole or part for any harm or damage that may or may not be caused. We reserve the right to revise the components of any product, due to part availability or change ETL, CUL, UL standards without assuming any obligation or liability to modify any products previously manufactured and without notice. These instructions do not cover all details of variations in equipment, nor do they provide every possible contingency to be met. Turn off / unplug power when installing or service device.



PRE-INSTALLATION

- Carefully remove the fixture from the carton.
- Before beginning assembly, installation, or operation of product, make sure all parts are present. Compare parts with package contents list and diagram on previous page. If any part is missing or damaged, do not attempt to assemble, install or operate the product. Contact customer service for replacement parts.
- Tools required for assembly (Not Included): screwdriver, phillips screwdriver, pliers, electrical tape, wire cutters, safety glasses, ladder, wire stripper.

SURFACE MOUNT INSTALLATION

— Before beginning installation, turn off the circuit breaker

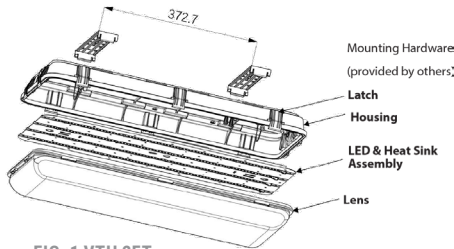


FIG. 1 VTH 2FT

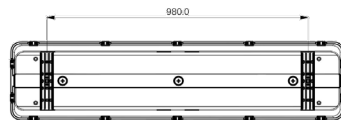


FIG. 2 VTH 4FT

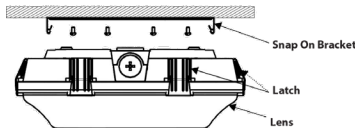
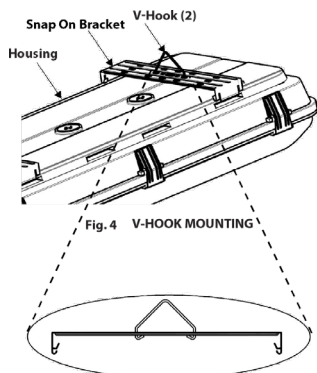


FIG. 3 SURFACE MOUNTING

1. Use appropriate mounting hardware (not supplied) to secure the **Snap On Brackets** to mounting surface. Refer to recommended **Snap On Bracket** in **Fig. 1** for VTH 2FT and **Fig 2** for VTH 4FT. **WARNING:** Mount Snap On Brackets symmetrical about the center as shown in Fig. 1 and Fig. 2. Snap On Brackets must be aligned with each other to secure housing.
2. In order to use an alternate entry point for VTH 4FT&2FT, follow below steps 3-7.
3. Unlatch the **Lens** from **Housing**.
4. Snap out the **LED & Heat Sink Assembly**. Tether Cables (2 for VTH 2FT&4FT) are provided, if required
5. Feed supply wires through one of the Conduit Plugs (5) to make electrical splices. Cord-grips (2) are provided and can be used based on application
6. Use appropriate UL approved wire connectors as required by code to complete wiring with supply wires. Be careful not to pinch wires. Quick connector is provided for easy installation, if required. **WARNING: To prevent wiring damage or abrasion, do not expose wiring to edges of sharp objects.**
7. Snap in **LED and Heat Sink Assembly** and secure **Lens** to **Housing** by **Latch**. Be careful not to pinch wires. Check that gasket is fully sealed.
8. Snap **Housing** on **Snap On Brackets** as shown in **Fig. 3**.
9. Use silicone or Teflon tape on all conduit entry points.

V-HOOK MOUNT INSTALLATION

— Before beginning installation, turn off the circuit breaker



Suspend Housing to sturdy ceiling structure as follows:

1. Snap **Housing** on **Snap On Brackets** as shown in Fig. 3.
2. In order to use an alternate entry point for VTH 2FT&4FT, follow steps 3-7 under Surface Mounting section.
3. **V Hooks** (2 pc on VTH 2FT&4FT) are provided for chain mounting. Loop **V-Hooks** through **Snap On Bracket** at back of **Housing** as in **Fig. 4**.

4. Connect to two (for VTH 2ft& 4ft) equal lengths of chain (by others) and/or appropriate hardware (by others) suitable for mounting surface, to suspend **Housing** from **V Hooks**.
5. Fixture mounting height and spacing should be determined by application requirements. Use chain suitable to support four (4) times the weight of the fixture.
6. Use silicone or teflon tape on all conduit entry points.

ACCESSORIES, ANGLE MOUNTING

—Before beginning installation, turn off the circuit breaker

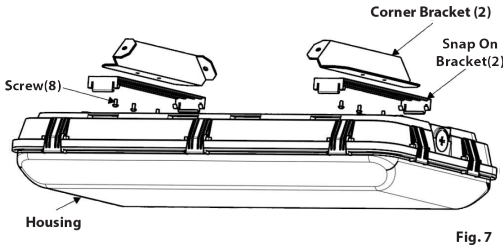


Fig. 7

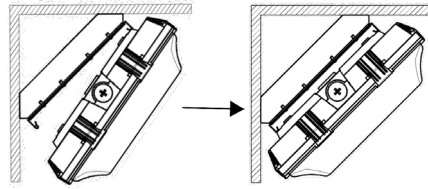


Fig. 8 ANGLE MOUNTING

1. Use appropriate mounting hardware (not supplied) to secure the **Corner Bracket (2)** to mounting surface as shown in **Fig. 7**. **Corner Bracket** must face towards each other. Recommended **Corner Bracket** distance center to center is 14-21/31" (for 2 FT) and 38-25/43" (for 4 ft).

2. Secure **Snap On Bracket (2)** (supplied standard with Housing) to **Corner Bracket (2)** with **Screws** provided as shown in **Fig. 7**.

3. Snap **Housing** on **Snap On Brackets (2)** as shown in **Fig. 2**, Page 1. Ensure that **Housing** is secure to **Snap On Brackets (2)** onto the grooves on Lens as shown in **Fig. 1**, Page 1.

0-10V DIMMABLE

—Before beginning installation, turn off the circuit breaker

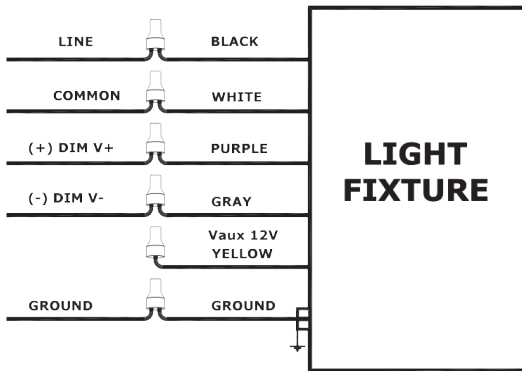


Fig. 9

Universal voltage driver permits operation at 120V through 277V, 50 or 60 Hz. For 0-10V Dimming, follow the wiring directions in **Fig. 9**.

1. Connect the black fixture lead to the LINE supply lead.
 2. Connect the white fixture lead to the COMMON supply lead.
 3. Connect the GROUND wire from fixture to supply ground.
 4. Connect the purple fixture lead to the (V+) DIM lead.
 5. Connect the gray fixture lead to the (V-) DIM lead.
 6. Cap the yellow fixture lead, if present. Do NOT connect.
- NOTE:** Do not connect DIM V+ (purple)/ DIM V- (gray) to line voltage or supply ground.

FIELD-ADJUSTABLE WATTAGE & CCT

—Before beginning installation, turn off the circuit breaker

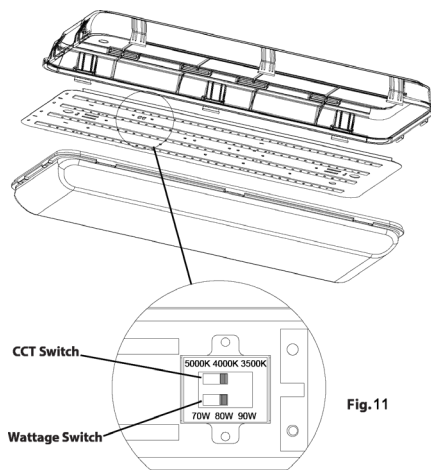


Fig. 10

Fig. 11

The end users may adjust the color temperature and lumen output respectively by the two DIP switch buttons. Each DIP switch is accommodated with 3 options (left, middle and right), corresponding to 3 color temperatures and 3 powers respectively, which can perform the desired color temperature and lumen output combination.

Factory Settings: Generally set to maximum power and middle color temperature.

1. Release the latch and open the lens, then Snap out the LED & Heat Sink Assembly. Find the switch box on.
2. Select a wattage and color temperature by sliding switch left or right respectively to the desired value. The back of the heat sink assembly.
3. Snap in LED and Heat Sink Assembly and secure Lens to Housing by Latch. Be careful not to pinch wires.

PROBLEM	POSSIBLE CAUSE	SOLUTION	CARE & MAINTENANCE
Light will not come on	A. Light switch is turned off. B. Fuse is blown or circuit breaker is turned off. C. Incorrect circuit wiring	A. Turn light switch on B. Replace fuse or turn circuit breaker on C. Verify that fixture is wired properly	CAUTION: Before attempting to clean the fixture, disconnect the power to the fixture by turning the breaker off or removing the fuse from the fuse box. This LED light fixture is made from quality materials that will last many years with minimum care and maintenance. You may want to clean the fixture with a soft cloth periodically. To maintain the best appearance of the fixture, do not use cleaners with chemicals, solvents or harsh abrasives. Do not use liquid cleaner on the LEDs, LED driver, or wiring inside the light fixture.