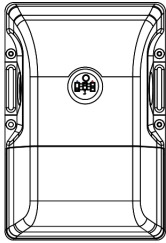


WALLPACK SERIES

SLIM SEMI-CUT OFF WALLPACK TRADITIONAL

INSTALLATION MANUAL

PRODUCT PARAMETER	
INPUT VOLTAGE	120-277V
SURGE PROTECTION	4KV SPU INCLUDED
OPERATIONAL TEMP	(-13°F ~ 104°F)



SAFETY INFORMATION

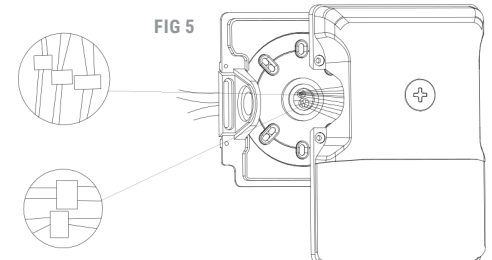
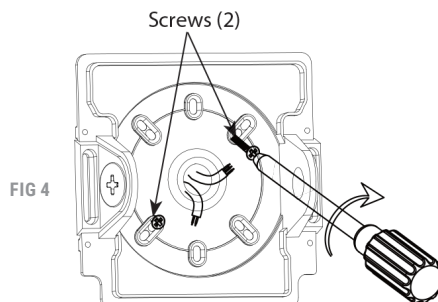
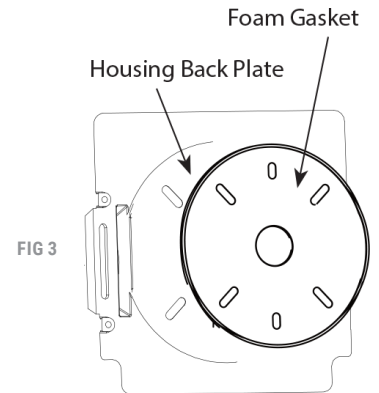
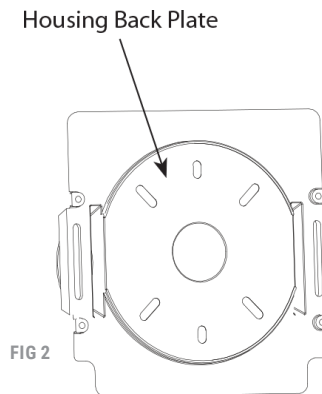
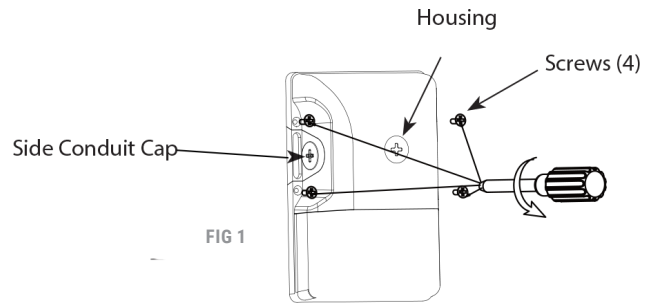
BE SURE THE POWER IS OFF! RISK OF ELECTRICAL SHOCK: Always use the switch to power off. Do not perform any operations while this unit is powered on. The electrical system you want to connect the device to must be grounded. Read the instructions before using or powering this device. The safety instructions must remain with the unit in case of transfer. Any damage to the device linked to an inappropriate use is excluded from support by the warranty. Before connecting, make sure that the current and voltage are compatible with this device. We highly recommend that all installations are made by QUALIFIED ELECTRICIAN. We are NOT responsible by any means for the use or misuse of the following information. We are NOT responsible in whole or part for any harm or damage that may or may not be caused. We reserve the right to revise the components of any product, due to part availability or change ETL, CUL, UL standards without assuming any obligation or liability to modify any products previously manufactured and without notice. These instructions do not cover all details of variations in equipment, nor do they provide every possible contingency to be met. Turn off / unplug power when installing or service device.

PRE - INSTALLATION

- Carefully remove the fixture from the carton.
- Before beginning assembly, installation, or operation of product, make sure all parts are present. Compare parts with package contents list and diagram on previous page. If any part is missing or damaged, do not attempt to assemble, install or operate the product. Contact customer service for replacement parts.
- Tools required for assembly (Not Included): screwdriver, phillips screwdriver, pliers, electrical tape, wire cutters, safety glasses, ladder, wire stripper.

WALL MOUNT INSTALLATION (Caution: Before beginning installation turn off the circuit breaker and light switch)

1. Loosen Housing side Screws (4) as shown in Fig. 1.
2. Remove Housing Back Plate. as shown in Fig. 2.
3. Apply Foam Gasket (provided) to external surface of the Housing Back Plate by removing yellow plastic film and adhering to Housing Back Plate as shown in Fig. 3.
4. Mount Housing Back Plate to surface or junction box (supplied by others) and secure with (2) Screws (supplied by others) as shown in Fig. 4.
5. Feed supply wires through Housing Back Plate as shown in Fig. 5. Wire the Housing leads to supply wires using UL listed wire connectors according to NEC and local codes (Fig. 9). Push all wires into the housing.
6. Place wired Housing over the Housing Back Plate and secure with (4) Screws (provided) as shown in Fig. 1.
7. For Side Conduit wiring, remove Side Conduit Cap using a screwdriver as shown in Fig. 1. Feed supply wires through conduit opening with a suitable connector as shown in Fig. 5. Wire the driver leads to the supply wires using UL listed wire connectors according to NEC and local codes (Fig. 9). Refer to Step 6 for mounting Housing to surface or junction box.



WALLPACK SERIES

SLIM SEMI-CUT OFF WALLPACK TRADITIONAL

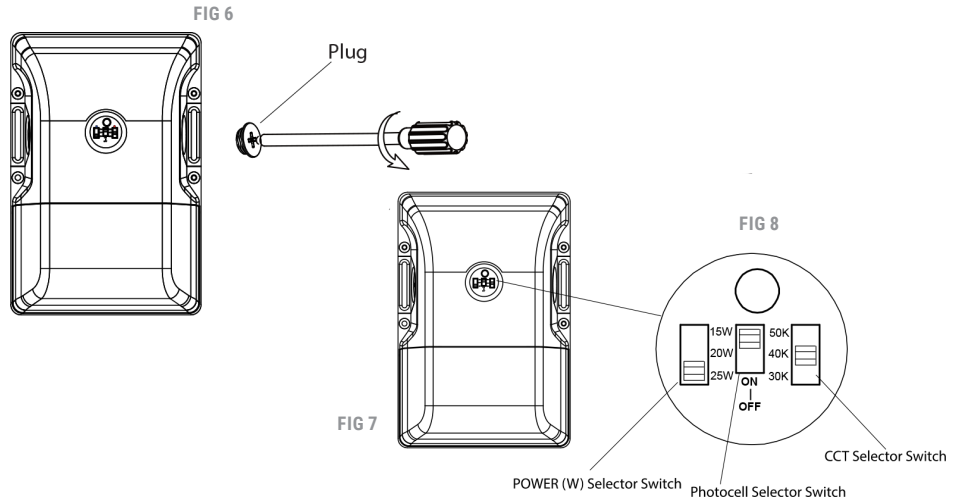
INSTALLATION MANUAL

INSTALLATION (Caution: Before beginning installation turn off the circuit breaker and light switch)

FIELD ADJUSTMENT

Follow instructions below to change fixture **Power (W)** or **Color Temperature (CCT)** from the factory settings and **Photocell On/Off** option.

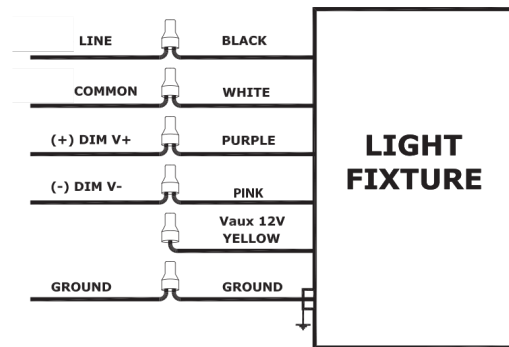
1. Unscrew **plug** with a screwdriver as shown in **Fig 6**.
2. Locate the **selector switch Fig 7**
3. Selectable **power(W)** and color temperature (**CCT**) by sliding the respective switch to the desired value as shown in **Fig 8**
4. Select **Photocell On/Off** option by sliding respective switch to the desired value as shown in **Fig 8**
5. Secure the plug with a screwdriver



0-10V DIMMABLE WIRING

Universal voltage driver permits operation at 120V thru 277V, 50 or 60 Hz. For 0-10 Dimming, follow the wiring directions as in Fig. 9.

1. Connect the black fixture lead to the **LINE** supply lead
2. Connect the white fixture lead to the **COMMON** supply lead
3. Connect the green wire from the fixture to supply ground. Do NOT connect **GROUND** of the dimming fixture to the output.
4. Connect the purple fixture lead to the **DIM V+** lead
5. Connect the pink fixture lead to **DIM V-** lead
6. Cap the yellow fixture lead, if present Do NOT connect.



CARE AND MAINTENANCE

PROBLEM	POSSIBLE CAUSE	SOLUTION	CAUTION: Before attempting to clean the fixture, disconnect the power to the fixture by turning the breaker off or removing the fuse from the fuse box. This LED light fixture is made from quality materials that will last many years with minimum care and maintenance. You may want to clean the fixture with a soft cloth periodically. To maintain the best appearance of the fixture, do not use cleaners with chemicals, solvents or harsh abrasives. Do not use liquid cleaner on the LEDs, LED driver, or wiring inside the light fixture.
Light will not come on	A. Light switch is turned off. B. Fuse is blown or circuit breaker is turned off. C. Incorrect circuit wiring	A. Turn light switch on B. Replace fuse or turn circuit breaker on C. Verify that fixture is wired properly	