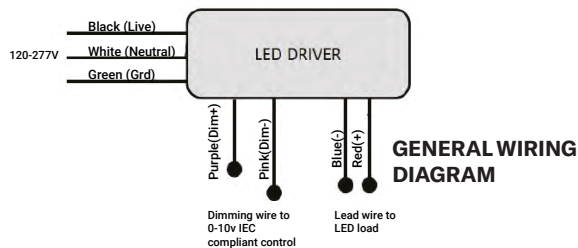


KEY TECHNICAL DATA	
INPUT VOLTAGE	120-277V
CONTROL	0-10V 10%
WORKING TEMP.	-4°F ~ 113°F



SAFETY INFORMATION

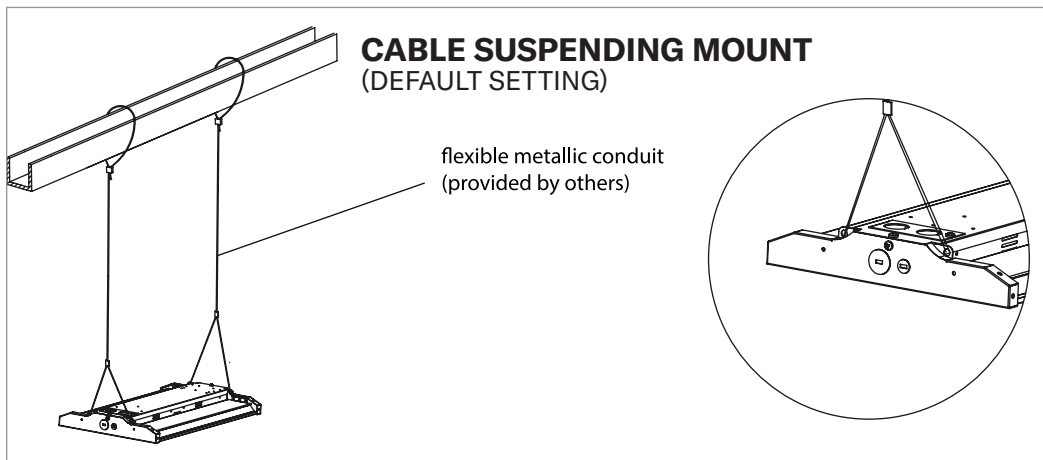
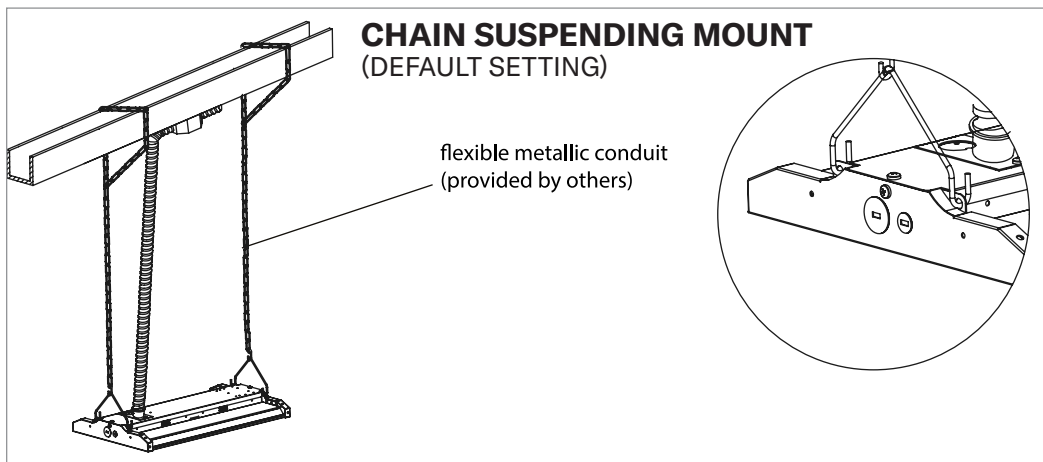
BE SURE THE POWER IS OFF! RISK OF ELECTRICAL SHOCK: Always use the switch to power off. The electrical system you want to connect the device to must be grounded. Read the instructions before using or powering this device. The safety instructions must remain with the unit in case of transfer. Any damage to the device linked to an inappropriate use is excluded from support by the warranty. Before connecting, make sure that the current and voltage are compatible with this device. We highly recommend that all installations are made by QUALIFIED ELECTRICIAN. We are NOT responsible by any means for the use or misuse of the following information. We are NOT responsible in whole or part for any harm or damage that may or may not be caused. We reserve the right to revise the components of any product, due to part availability or change ETL, CUL, UL standards without assuming any obligation or liability to modify any products previously manufactured and without notice. These instructions do not cover all details of variations in equipment, nor do they provide every possible contingency to be met. Turn off / unplug power when installing or service device.

PRE. INSTALLATION

- Carefully remove the fixture from the carton.
- Before beginning assembly, installation, or operation of product, make sure all parts are present. Compare parts with package contents list and diagram on previous page. If any part is missing or damaged, do not attempt to assemble, install or operate the product. Contact customer service for replacement parts.
- Tools required for assembly (Not Included): screwdriver, phillips screwdriver, pliers, electrical tape, wire cutters, safety glasses, ladder, wire stripper.

WARNINGS

- Turn off electrical power at fuse or circuit breaker box before wiring fixture to the power supply
- Turn off the power when you perform any maintenance
- Verify that supply voltage is correct by comparing it with the luminaire label information
- All wiring connections should be capped with UL approved wire connectors



INSTALLATION

— Before beginning installation, turn off the circuit breaker

Remove the LED fixture from packaging and inspect for any damages. Handle LED fixture with care.

TO INSTALL WITH CHAIN MOUNT: Install the chain into the provided wire hanger. Secure the other end of the chain to a structure using hardware rated for the load. Install the wire hanger into the slots on the top of the LED luminaire end piece. Make sure the wiring hangers are fully engaged into the slots on the top channel.

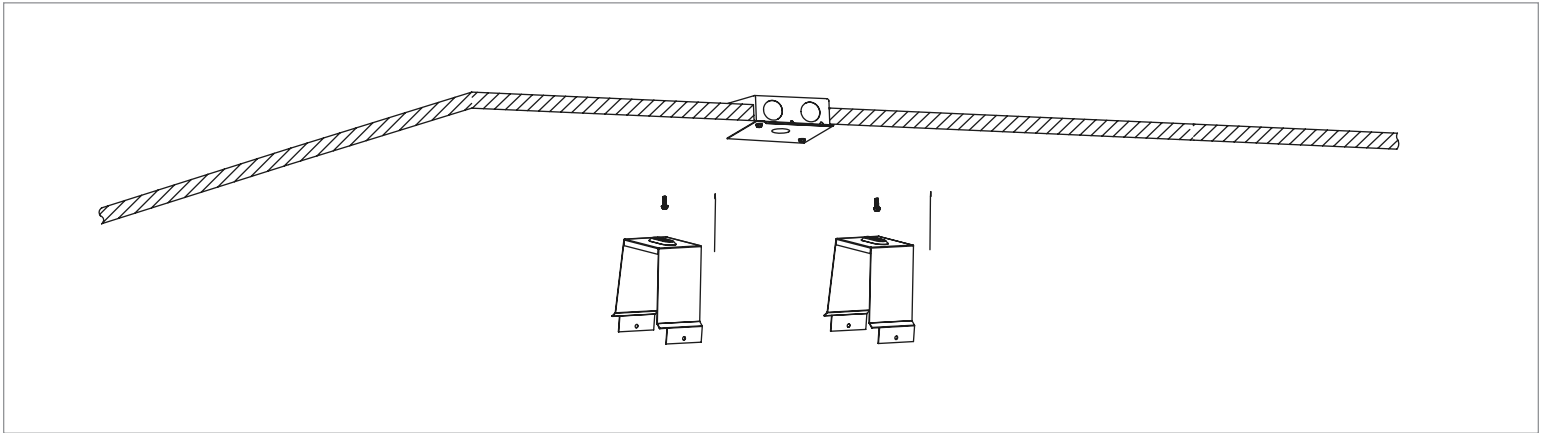
Connect the LED high bay wiring to incoming power lines, refer to the General Wiring Diagram. Use only UL listed wire.

NOTE: The purple and pink wires inside the driver compartment are 0-10V (low voltage) dimming wires. Connect to low voltage wiring only.

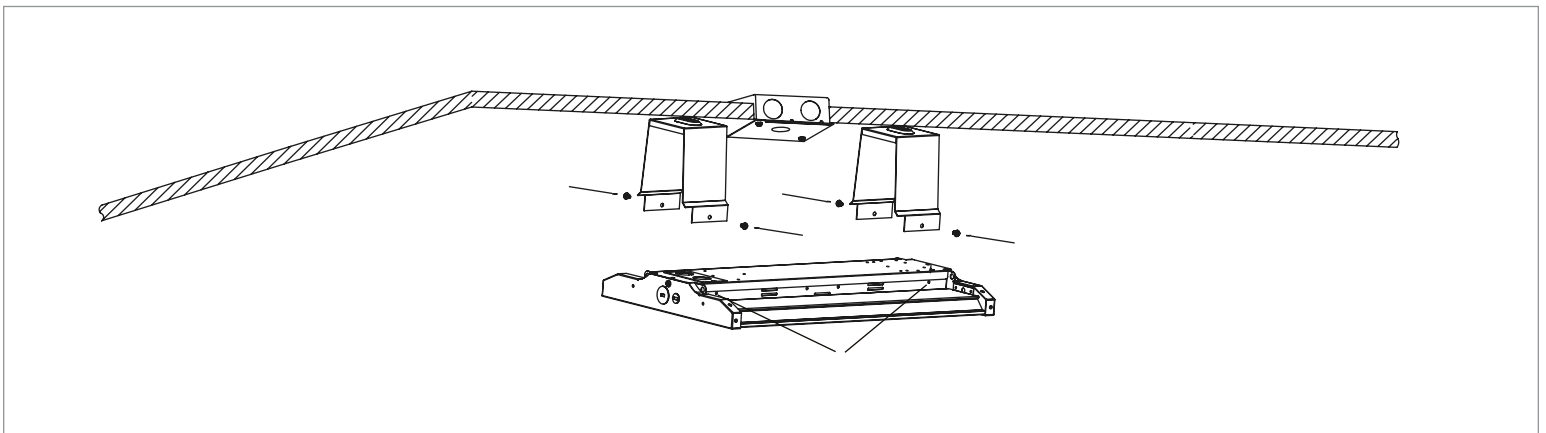
Clean all residues and fingerprints from the LED luminaire. Double check all hanging hardware before moving onto the next installation.

SURFACE MOUNTING

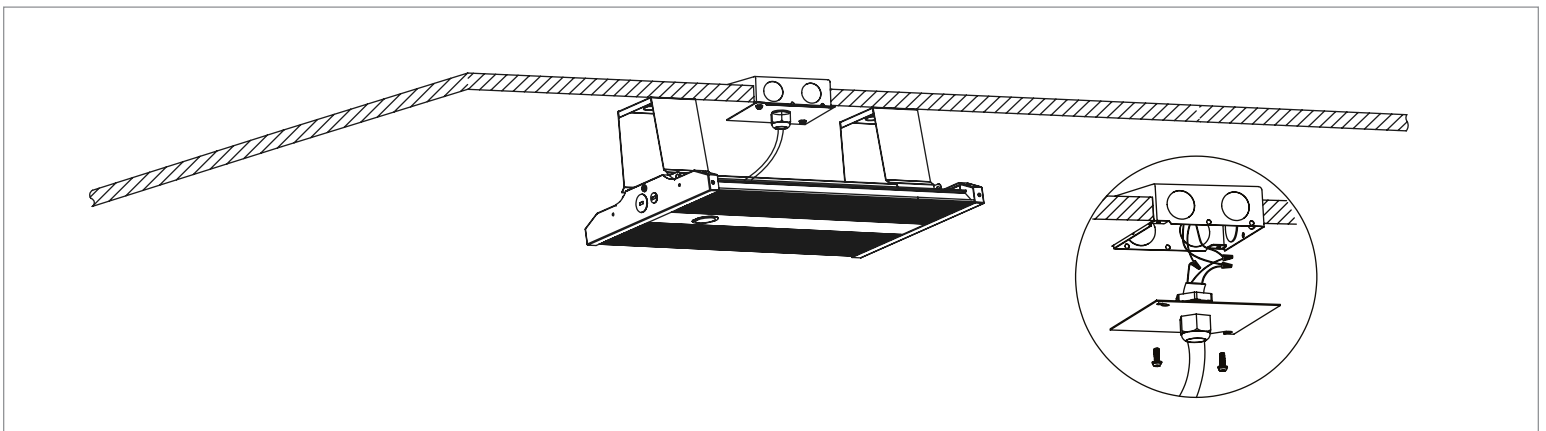
—Before beginning installation, turn off the circuit breaker



—**STEP 1** Fix the surface mount bracket to ceiling with adequate screws.



—**STEP 2** Fix the fixture to the bracket with adequate screws.

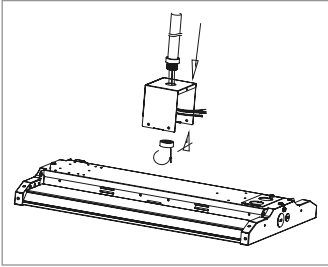


—**STEP 3** Connect the main power wires to fixture wires refer to General Wiring Diagram. All wire connectors or terminal caps must be left inside the junction box or fixture driver box.

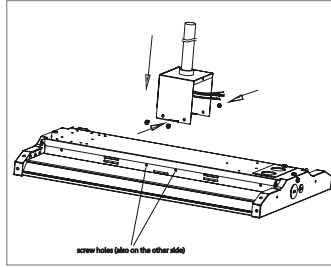
PENDANT MOUNTING

— Before beginning installation, turn off the circuit breaker

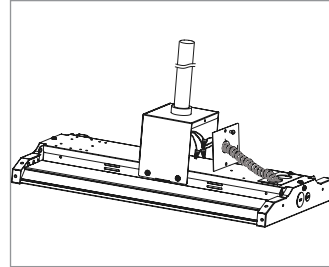
Note: If the outlet board located under the pendant box, do wiring connection directly in the box and no need to use the flexible protective conduit. All wire connectors or terminal caps should be left inside the pendant box.



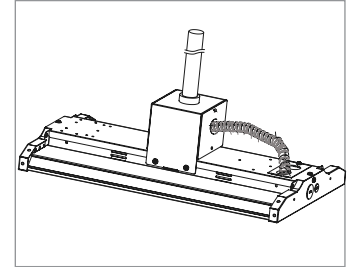
—STEP 1
Attach the pendant box to conduit pipe.



—STEP 2
Fix the fixture onto the pendant box with screws.



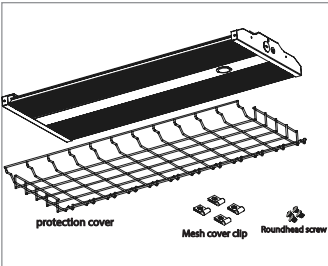
—STEP 3
Make wiring connections refer to the general wiring diagram. The bridged wires must be UL listed and wrapped with flexible protective conduit.



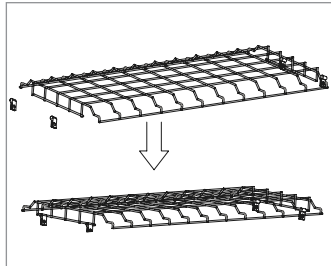
—STEP 4
Install the two side covers of the bracket with screws to hide the wires.

WIRE GUARD MOUNTING

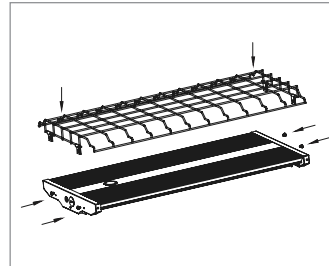
— Before beginning installation, turn off the circuit breaker



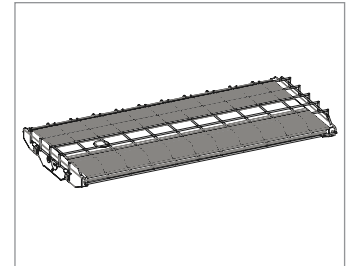
—STEP 1
Carefully remove all parts from the packaging. Inspect product for defects due to shipping.



—STEP 2
Insert the provided chips(4 pcs) onto the wire guard.



—STEP 3
Fasten the chips by screws into the prepunched holes of fixture body.

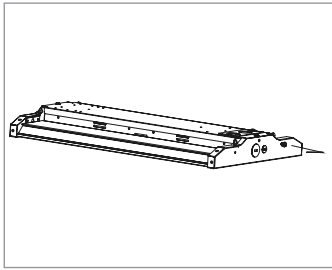


—STEP 4
The installation is completed

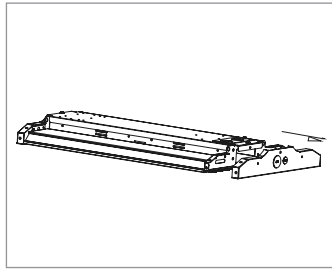
PROBLEM	POSSIBLE CAUSE	SOLUTION	CARE & MAINTENANCE
Light will not come on	A. Light switch is turned off. B. Fuse is blown or circuit breaker is turned off. C. Incorrect circuit wiring	A. Turn light switch on B. Replace fuse or turn circuit breaker on C. Verify that fixture is wired properly	CAUTION: Before attempting to clean the fixture, disconnect the power to the fixture by turning the breaker off or removing the fuse from the fuse box. This LED light fixture is made from quality materials that will last many years with minimum care and maintenance. You may want to clean the fixture with a soft cloth periodically. To maintain the best appearance of the fixture, do not use cleaners with chemicals, solvents or harsh abrasives. Do not use liquid cleaner on the LEDs, LED driver, or wiring inside the light fixture.

REPLACEMENT OF DIFFUSER

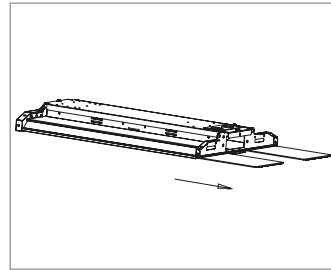
— Before beginning installation, turn off the circuit breaker



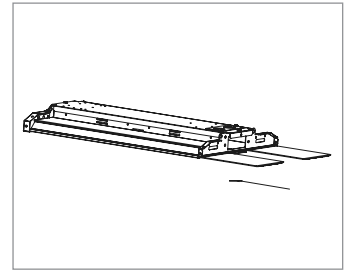
—STEP 1
Remove the screw of one end-cover



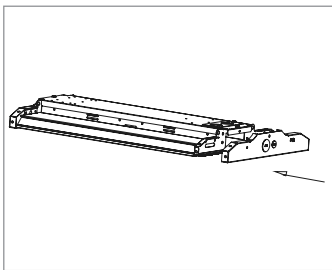
—STEP 2
Remove the end-cover.



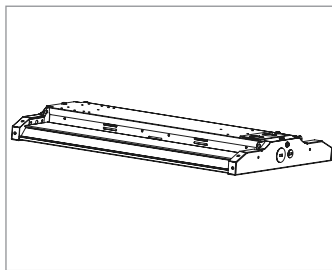
—STEP 3
Take out the diffuser directly.



—STEP 4
Put the desired diffuser into the channel

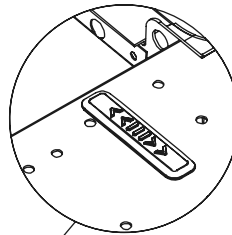


—STEP 5
Reattach the end-cover to the fixture body and fix it with screw.



—STEP 6
The replacement is completed

Wattage Switch

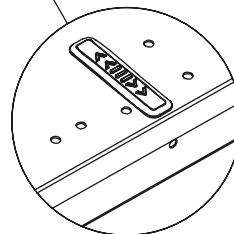


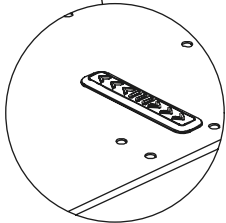
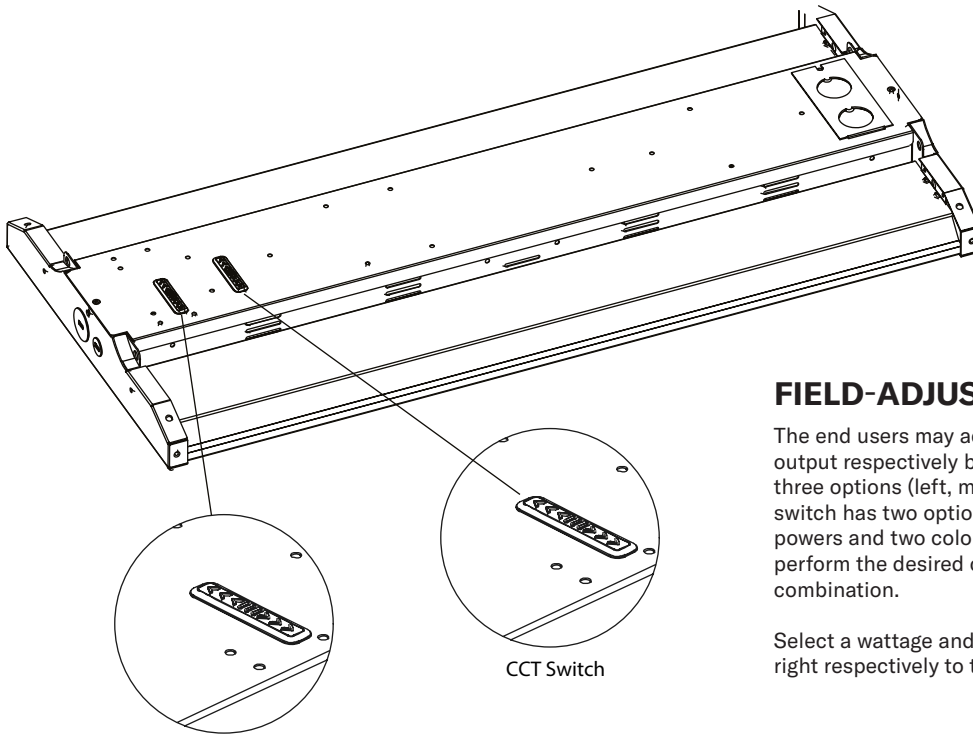
FIELD-ADJUSTABLE WATTAGE & CCT

The end users may adjust the color temperature and lumen output respectively by the two DIP switches. The light output DIP switch is accommodated with 3 options (left, middle and right), corresponding to 3 powers respectively, the CCT DIP switch is accommodated with 2 options (left and right), corresponding to 2 color temperatures.

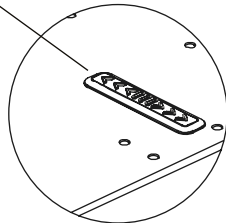
Select a wattage and color temperature by sliding switch left or right respectively to the desired value.

CCT Switch (4000K-5000K)





Wattage Switch

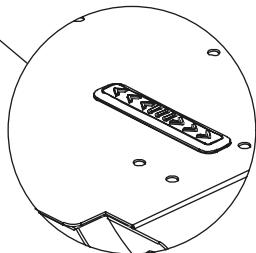
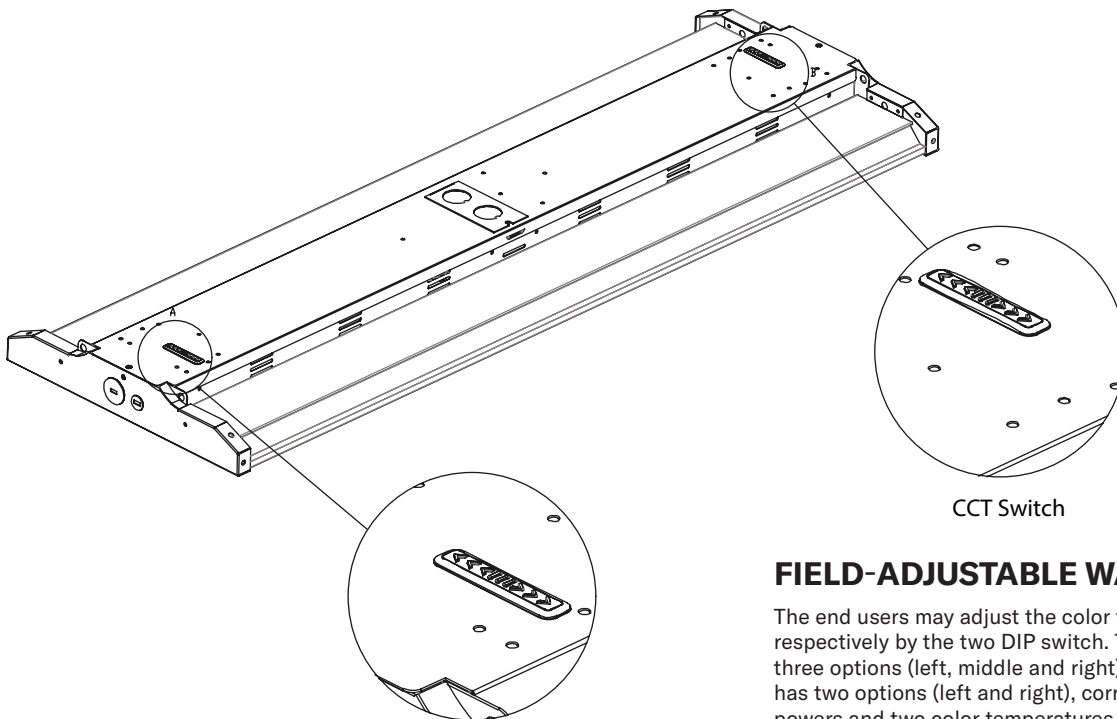


CCT Switch

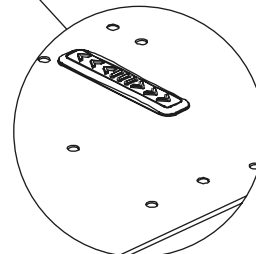
FIELD-ADJUSTABLE WATTAGE & CCT

The end users may adjust the color temperature and lumen output respectively by the two DIP switch. The power switch has three options (left, middle and right), and the color temperatures switch has two options (left and right), corresponding to three powers and two color temperatures respectively, which can perform the desired color temperature and lumen output combination.

Select a wattage and color temperature by sliding switch left or right respectively to the desired value.



Wattage Switch



CCT Switch

FIELD-ADJUSTABLE WATTAGE & CCT

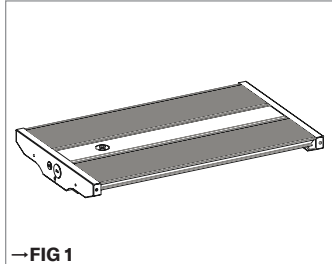
The end users may adjust the color temperature and lumen output respectively by the two DIP switch. The power switch has three options (left, middle and right), and the color temperatures switch has two options (left and right), corresponding to three powers and two color temperatures respectively, which can perform the desired color temperature and lumen output combination.

Select a wattage and color temperature by sliding switch left or right respectively to the desired value.

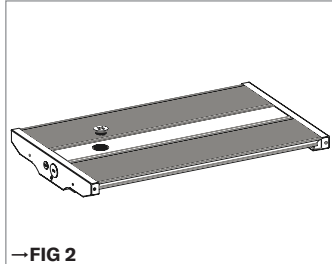
ADDITIONAL ACCESSORIES

DC 12V Sensor

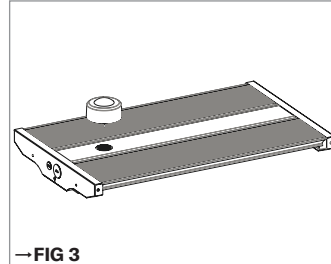
Microwave motion sensor mounting ANT-5-4T/Bluetooth sensor ANT-5-4T-BLE. PIR sensor ANT-6-4T for options. Please contact manufacture for more information.



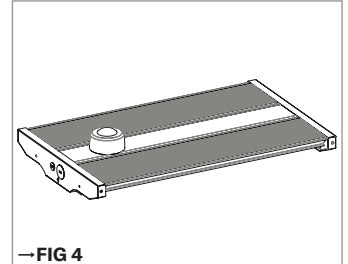
→FIG 1



→FIG 2



→FIG 3



→FIG 4

→**STEP 1:** Remove the receptacle cover.(Figure 1 and Figure 2)

→**STEP 2:** Insert sensor into the audio jack and turn the sensor clockwise to complete installation.(Figure 3 and Figure 4)

GENERAL WIRING DIAGRAM

