

MODEL NO.	TYPE	PROJECT/DATE
-----------	------	--------------

FEATURES:

Pole Top: Our poles come with a built in tenon allowing quick and easy installation of any of our Post Top Fixtures.

Finish: Our poles standard finish is Finish Painted over Galvanizing (FPGV). Black is standard but custom colors are available, please contact your sales rep.

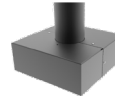
Anchor Bolts: Anchor bolts conform to ASTM F1554 Grade 55 and are provided with two hex nuts and two flat washers. Bolts have an "L" bend on one end and are galvanized a minimum of 12" on the threaded end.

Hand Hole: A reinforced hand hole with grounding provision is provided at 1'-0" from the base end of the pole assembly. Each hand hole includes an easy to install, self-contained Swing Latch hand hole cover assembly. U.S. Patent Swing Latch cover is fabricated from durable polycarbonate/ABS blend plastic. All pole assemblies are provided with a 3.15" x 5.50" rectangular hand hole. Hand hole dimensions are nominal.

Base Cover: A two-piece full base cover fabricated from steel is provided with each pole assembly.

Pole Construction: The pole shaft is fabricated from hot rolled welded steel tubing of one-piece construction with a minimum yield strength of 42 KSI.

Hardware: All structural fasteners are galvanized high strength carbon steel. All non-structural fasteners are galvanized or zinc-plated carbon steel or stainless steel.



Full Base Cover (Standard)



Hand Hole (Standard)

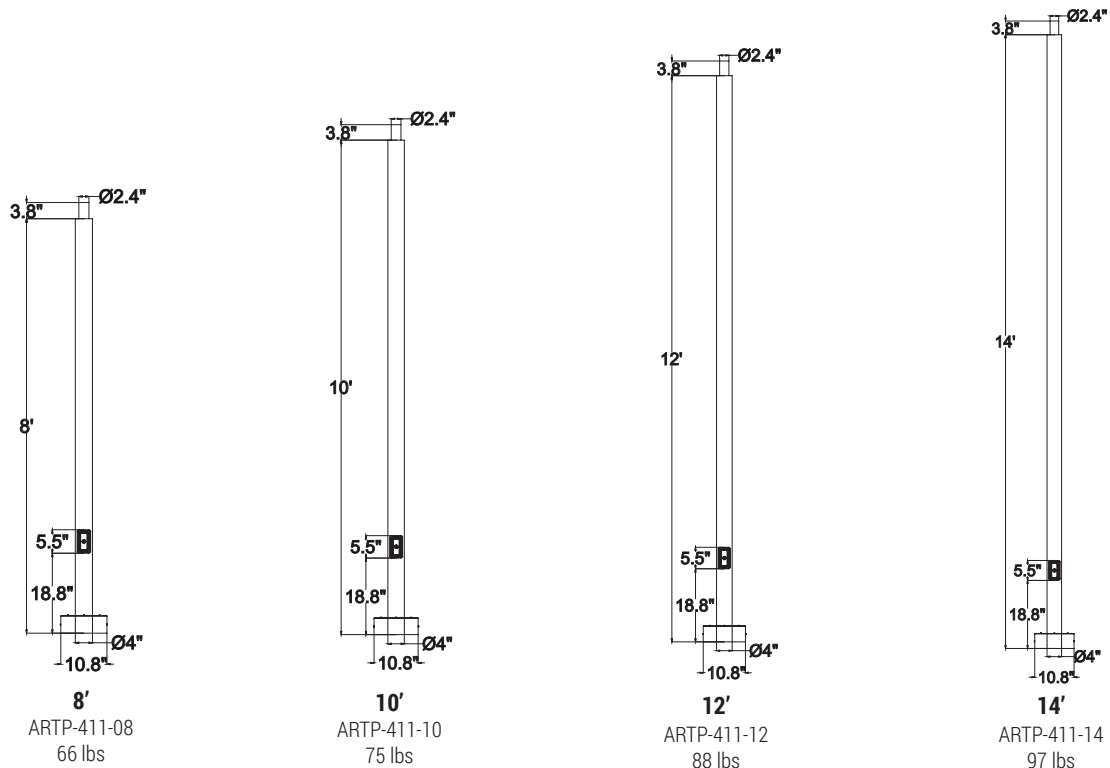


Cross Section (Standard)



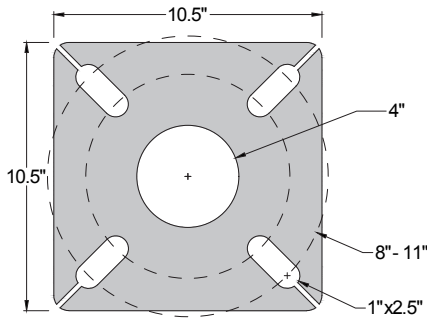
Tenon Top (Standard)

DIMENSIONS

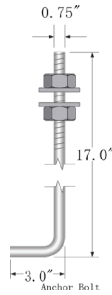


POLE HEIGHT

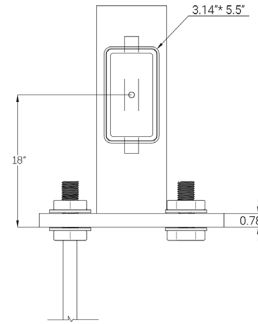
MODEL NO.	TYPE	PROJECT/DATE
-----------	------	--------------



Base Plate with slots/holes



Anchor Bolt



Hand Hole & Base Cover

SHAFT BASE SIZE		BASE PLATE			ANCHOR BOLTS	
Base OD	Wall Thickness	Bolt Circle Diameter	Diameter	Thickness	Bolt Size (in.) D x L x C	Bolt Projection
4.00"	0.12"	8.00"-11.00"	10.50"	0.75"	0.75" x 17.00" x 3.00"	3.50"-3.75"

ORDERING INFORMATION

*Additional cost and/or lead time on customized fixtures may apply.



Series	Shaft Size/Gauge	Height	Finish
ARTP - (Anchor Based Round Top Mount Pole)	411 - (4"Ø, 11)	8 - (8 FT) 10 - (10FT) 12 - (12FT) 14 - (14FT) 16 - (16 FT)	DB - (Bronze) BK - (Black) SG - (Silver Gray) WH - (Matte White) *Custom

FINISH REFERENCE



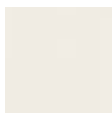
Dark Bronze
(RAL 8019)



Matte Black
(RAL 9011)



Silver Gray
(RAL 9006)



Matte White
(RAL 9010)

MODEL NO.	TYPE	PROJECT/DATE
-----------	------	--------------

WIND LOADING AND DIMENSIONAL DATA

Catalog #	Mt. Height	80 MPH	90 MPH	100 MPH	110 MPH	120 MPH	130 MPH	140 MPH	O.D.	POLE GAUGE	BASE PLATE	BOLT CIRCLE	ANCHOR BOLTS
ARTP-411-08	8 ft.	21	16	12	10	8.4	7	5.6	4"	11	10.5" sq x 3/4"	8.00"-11.00"	0.75" x 17.00" x 3.00"
ARTP-411-10	10 ft.	17.5	13.4	10.7	8.6	7.0	5.9	4.7	4"	11	10.5" sq x 3/4"	8.00"-11.00"	0.75" x 17.00" x 3.00"
ARTP-411-12	12 ft.	14	10.7	8.3	6.7	5.3	4.5	3.4	4"	11	10.5" sq x 3/4"	8.00"-11.00"	0.75" x 17.00" x 3.00"
ARTP-411-14	14 ft.	11.5	8.7	6.7	5.2	4.0	3.4	2.4	4"	11	10.5" sq x 3/4"	8.00"-11.00"	0.75" x 17.00" x 3.00"
ARTP-411-16	16 ft.	10.10	7.6	5.9	4.5	3.5	3	2.1	4"	11	10.5" sq x 3/4"	8.00"-11.00"	0.75" x 17.00" x 3.00"

Notes:

1. Maximum EPA (Effective Projected Area) and weight values are based on AASHTO 2013 (90-150MPH) and AASHTO 2008 (80MPH)
2. Consult factory on loading criteria for pole top mounted luminaires and/or brackets
3. Variations from sizes above are available upon inquiry at the factory
4. Satisfactory performance of poles is dependednt upon the pole being properly attached to a supporting foundation of adequate design
5. Structure weight is a nominal value which includes the pole shaft and base plate only