

MODEL NO.	TYPE	PROJECT/DATE
-----------	------	--------------

KEY FEATURES

- Direct mount canless downlight with quiet ceiling multi-cell design
- Wet location, IC rated with FT6/CMP plenum rated cable
- Low profile housing Less than 2 inch height great for plenum space
- Multiple optic option with excellent glare control and visual cut off
- Seamless connectable for continuous run
- 90CRI, 5CCT field changeable standard

TECHNICAL SUMMARY

SIZE:	6-cell module, connectable, see dimension details
WATTAGE:	8W
LUMEN/EFFICACY	500LM* / 65LM/W
INPUT VOLTAGE	120-277Vac
AVAILABLE CCT/CRI	2700/3000/3500/4000/5000K CCT changeable / 90+ CRI
CONTROL	Triac dimming at 120Vac (10% to off)
VALIDATIONS	ETL wet location listed, IC rated, FCC compliant, JA8 title 24
LIFETIME	L70>56,000 hours, 5 year warranty
DISTRIBUTION	Beam 24°, 36°, and 50°; Asymmetric wall wash
OPERATION TEMP.	(-5°F ~ 104°F)
FINISH	White, Black, Bronze

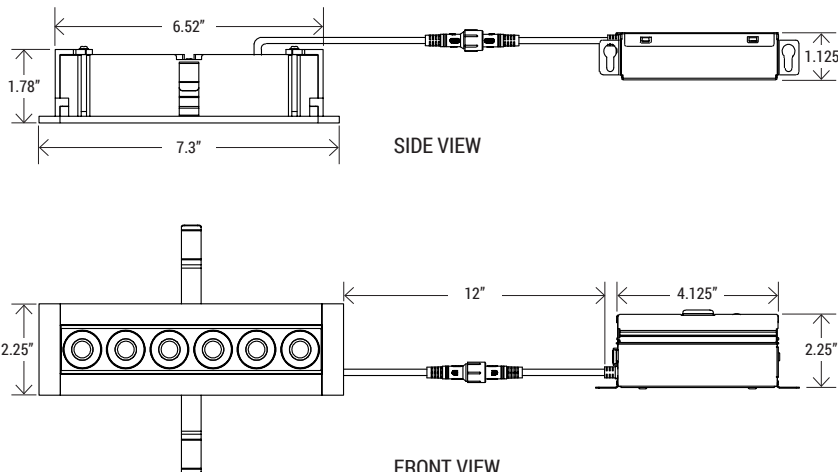
*Delivered lumen may vary, refer to photometric for full performance data



EASY SEEM-LESS UNLIMITED CONNECTIVITY



DIMENSIONS FOR DAR, DAS, DAW



APERTURE	1" (W) x 6.25" (L) connectible
CEILING CUTOUT (Single)	1" (W) x 6.75" (L) connectible
CEILING CUTOUT (Double)	12.5" (W) x 1.875" (L) connectible
FLANGE	2.25" (W) x 7.25" (L) connectible
HEIGHT	1.75"
REGRESSION	0.75"
VISUAL CUTOFF	42° - 45°

MODEL NO.	TYPE	PROJECT/DATE
-----------	------	--------------

ORDERING INFORMATION

*Additional cost and/or lead time on customized fixtures may apply.

<input type="text"/>	-	<input type="text"/>	-	<input type="text"/>	-	<input type="text"/>	-	<input type="text"/>	-	<input type="text"/>	-	<input type="text"/>
Series	Size	Lumen Package	Voltage	CCT	Beam Option	Control	Finish	Pack				
DAS - (Square Cell)	6C - (6 cells)	5L - (500lm)	U - (120-277V)	CC - (27/30/35/40/50K Color Changeable)	ND - (Narrow 24°) MD - (Medium 36°) WD - (Wide 50°)	C1 - (Triac/phase dimming at 120V)	WH - (White) BL - (Black) BR - (Bronze)	P1 - (Pack of 1) P2 - (Pack of 2 with ACHW)				
DAR - (Round Cell)				Custom CCT (made to order)								
DAW - (Wall Wash)	6C - (6 cells)	5L - (480lm)	U - (120-277V)	CC - (27/30/35/40/50K Color Changeable)	WW - (Wall Wash)							
				Custom CCT (made to order)								

RECOMMENDED DIMMERS

LUTRON

- **MACL-153M-WH**
- **DVCL-153P-WH**
- **SCL-153P-WH**
- **NLV-600**
- **N-600**
- **NTELV-600**
- **DVCL-153P-WH**

LEVITON

- **IPL06-10Z**

*Accessories

- EM1** - 20W field installed inverter
- AHCW** - Arris Housing Connector in white
- A3P6F** - Arris 3pin 6ft extension cable
- A3P10F** - Arris 3pin 10ft extension cable
- A3P20F** - Arris 3pin 20ft extension cable
- A6CMP** - Arris 6 cell rough-in plate
- A12CMP** - Arris 12 cell rough-in plate
- A6CNF** - Arris 6 cell new construction frame with hanger bars
- A12CNF** - Arris 12 cell new construction frame with hanger bars

*Available accessories sold separately, please refer next page for details

SPECIFICATIONS

CONSTRUCTION

UL94 5VA flammability rated Polycarbonate housing with aluminum heat-sink, FT6/CMP plenum rated cable to connect from module to remote driver box, module are connectible.

FINISH

White, black and bronze.

OPTICS

Parabolic louver micro optic in Narrow (24D), Medium (36D), Wide (50D) and asymmetric wall washer distribution.

ELECTRICAL

- Long life LED system, input voltages 120-277Vac,
- Line voltage triac/phase dimming at 120Vac standard.

MOUNTING

Direct recessed mount, accommodates 3/8" to 1 1/2" ceiling thickness.

VALIDATIONS

IC rated, ETL wet location listed, FCC, RoHS

MODEL NO.	TYPE	PROJECT/DATE
-----------	------	--------------

***AVAILABLE ACCESSORIES:** (SOLD SEPARATELY)



DL-INV20W
20W inverter power up
to two Arris
(W2.95" x L12.9" x H1.37")



AHCW
Arris Housing Connector
in White

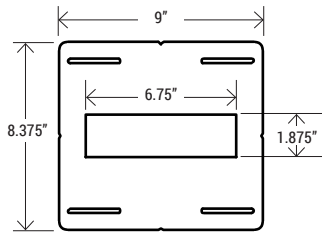


A3P6F / A3P10F / A3P20F
Arris 3pin 6ft / 10ft / 20 ft
Extension Cable



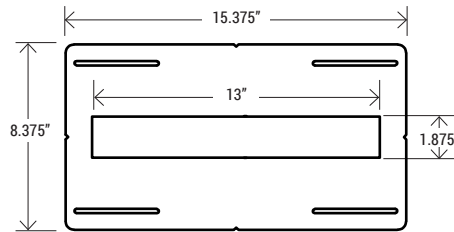
P2
Pack of 2 with ACHW
(DAR SHOWN)

ROUGH-IN PLATE



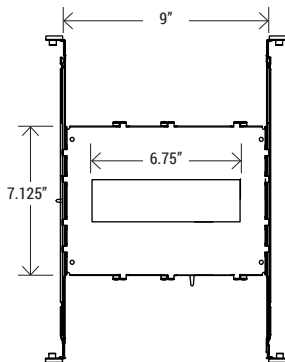
A6CMP
Arris 6 Cell Rough-in Plate

THICKNESS: .7"

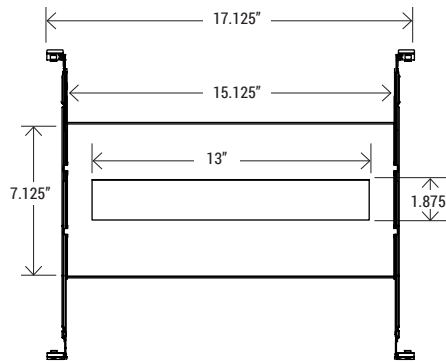


A12CMP
Arris 12 Cell Rough-in Plate

NEW CONSTRUCTION FRAME



A6CNF
Arris 6 Cell New Construction
Frame with Hanger Bars



A12CNF
Arris 12 Cell New Construction
Frame with Hanger Bars