

DATE:	TYPE:	FIXTURE:
-------	-------	----------



RMK

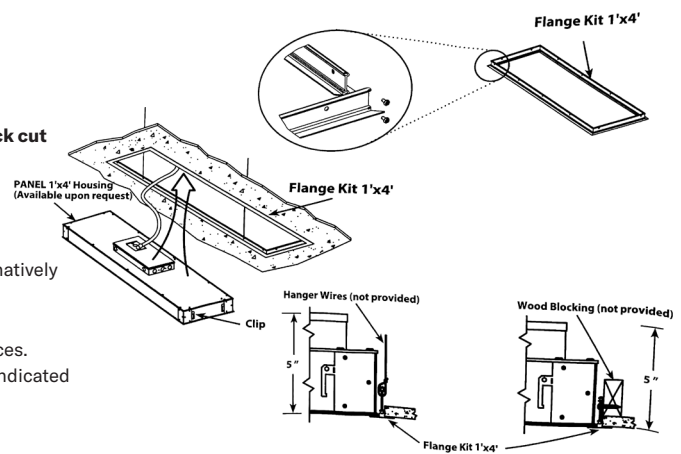
RECESSED FLANGE KIT

→ 1' X 4' INSTALL

The fixture is suitable only for INDOOR RECESSED CEILING application. **Nominal Sheet Rock cut out opening is 12 5/8" x 48 5/8"**

To mount in an insulated or non-insulated - sheet rock ceiling follow the steps below.

1. Assemble the four piece of the Flange Kit 1'x4' with the screw provided.
2. Support the Flange Kit 1'x4' to the building structure by Hanger Wires (not provided), alternatively screw to Wood Blocking (not provided) or black iron (not provided)
3. Bend the pre-installation Clips (4) flat to the Panel 1'x4' Housing.
4. Follow wiring directions on fixture installation instruction sheet to complete electrical splices.
5. Rotate and slide the Panel 1'x4' Housing as required to fit through the drywall opening as indicated by the directional arrow in figure and place it on the Flange Kit.

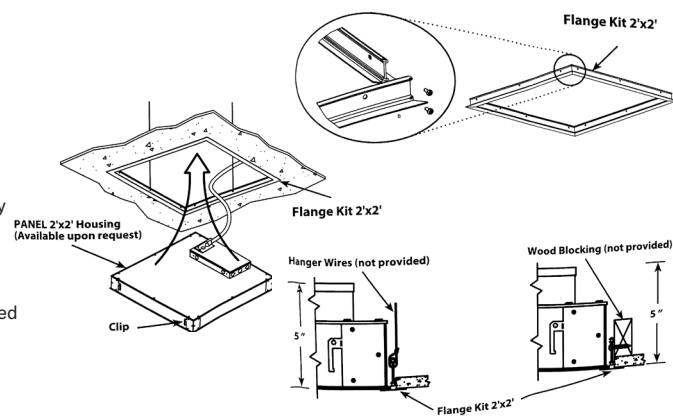


→ 2' X 2' INSTALL

The fixture is suitable only for INDOOR RECESSED CEILING application. **Nominal Sheet Rock cut out opening is 24 5/8" x 24 5/8"**

To mount in an insulated or non-insulated - sheet rock ceiling follow the steps below.

1. Assemble the four piece of the Flange Kit 2'x2' with the screw provided.
2. Support the Flange Kit 2'x2' to the building structure by Hanger Wires (not provided), alternatively screw to Wood Blocking (not provided) or black iron (not provided.)
3. Bend the pre-installation Clips (4) flat to the Panel 2'x2' Housing.
4. Follow wiring directions on fixture installation instruction sheet to complete electrical splices.
5. Rotate and slide the Panel 2'x2' Housing as required to fit through the drywall opening as indicated by the directional arrow in figure and place it on the Flange Kit.



→ 2' X 4' INSTALL

The fixture is suitable only for INDOOR RECESSED CEILING application. **Nominal Sheet Rock cut out opening is 24 5/8" x 48 5/8"**

To mount in an insulated or non-insulated - sheet rock ceiling follow the steps below.

1. Assemble the four piece of the Flange Kit 2'x4' with the screw provided.
2. Support the Flange Kit 2'x4' to the building structure by Hanger Wires (not provided), alternatively screw to Wood Blocking (not provided) or black iron (not provided.)
3. Bend the pre-installation Clips (4) flat to the Panel 2'x4' Housing.
4. Follow wiring directions on fixture installation instruction sheet to complete electrical splices.
5. Rotate and slide the Panel 2'x4' Housing as required to fit through the drywall opening as indicated by the directional arrow in figure and place it on the Flange Kit.

