

# CELIA WR

## Wall Mount Round Architectural Concrete Cylinder

MODEL NO.	TYPE	PROJECT/DATE
-----------	------	--------------

### KEY FEATURES

- Visual appealing concrete stone material housing creates an exceptional architectural texture perception
- Highly resistant to rust and decay caused by high humidity, chemical or other environmental factors
- Regressed lens with 90 CRI LED creates a low-glare, visual comfortable direct and indirect illumination

### TECHNICAL SUMMARY

SIZE:	4" and 6" aperture, Direct and Direct/indirect housing
WATTAGE:	4" direct: 10W, 4" direct & indirect: 20W 6" direct: 15W, 6" direct & indirect: 30W
LUMEN*	4" direct: 1000LM, 4" direct & indirect: 2000LM 6" direct: 1400LM, 6" direct & indirect: 2800LM
EFFICACY	UP TO 95 LM/W at 3000K
INPUT VOLTAGE	120-277Vac
AVAILABLE CCT/CRI	Available in 3000K, 4000K, Custom / 90 CRI standard
CONTROL	On/off with 0-10V dim to 1% to off driver
VALIDATIONS	ETL wet location Listed, IP54 and IK06 rated, FCC, RoHS
LIFETIME	L90>50,000 hours, 5 year warranty
OPERATION TEMP.	Normal: -13°F ~ 113°F / Emergency: 0°F ~ 113°F
FINISH	Dark Gray, Silver Gray, Sandy White Made to order: Terracotta Red

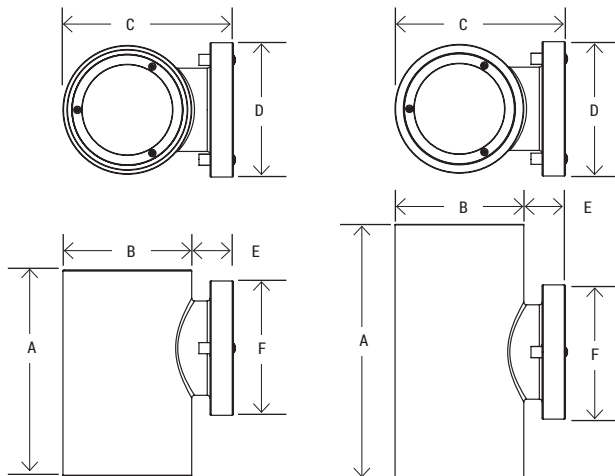
\*Delivered lumen may vary, refer to photometric for full performance data



AVAILABLE FINISH: SHOWN IS DIRECT



### DIMENSIONS



#### DIRECT

4" : 6.6 lbs  
6" : 9.3 lbs

#### DIRECT/INDIRECT

4" : 7.7 lbs  
6" : 11 lbs

Size	A	B	C	D	E	F
4" (Direct)	7.3"	4.5"	6"	4.7"	1.4"	4.7"
4" (Direct/Indirect)	9"	4.5"	6"	4.7"	1.4"	4.7"
6" (Direct)	8.5"	5.7"	7.2"	5.5"	1.5"	5.5"
6" (Direct/Indirect)	10.6"	5.7"	7.2"	5.5"	1.5"	5.5"

# CELIA WR

## Wall Mount Round Architectural Concrete Cylinder

MODEL NO.	TYPE	PROJECT/DATE
-----------	------	--------------

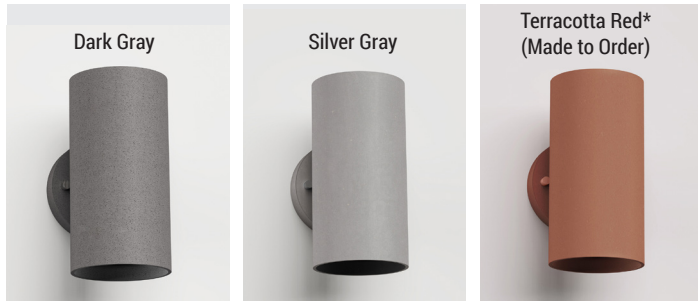
### ORDERING INFORMATION

\*Additional cost and/or lead time on customized fixtures may apply.

Series	Style	Size	Lumen Package	Input Voltage	CCT	Light Distribution	Control	Finish
CEL	WR - (Wall mount round)	<b>4D</b> - 4" direct only <b>4A</b> - 4" direct /indirect <b>6D</b> - 6" direct only <b>6A</b> - 6" direct /indirect	<b>10L</b> - 1000LM/10W <b>20L</b> - 2000LM/20W <b>14L</b> - 1400LM/15W <b>28L</b> - 2800LM/30W	<b>U</b> - (120-277V)	<b>30K</b> - (3000K) <b>40K</b> - (4000K) <b>Custom</b>	<b>NC</b> - (Narrow degree with clear lens) <b>GC</b> - (General degree with clear lens)	<b>C1</b> - (on/off with 0-10V dimmable driver)	<b>DG</b> - (Dark Gray) <b>SG</b> - (Silver Gray) <b>SW</b> - (Sandy White) <b>TR*</b> - (Terracotta red) <b>Custom</b>

\* = made to order

### AVAILABLE FINISH: SHOWN IS DIRECT/INDIRECT



### \*AVAILABLE ACCESSORIES: (SOLD SEPARATELY)

*Accessories
<b>SP-EM40-AC-C</b> - 40W remote mount field install emergency backup inverter
<b>SP-EM40-SW</b> - Remote test switch for SP-EM40-AC-C
<b>JB-4-RD-WH/BD/BL/AL</b> - Commercial Electrical Waterproof Box

### SPECIFICATIONS

#### CONSTRUCTION

Housing constructed with proprietary natural composite mix material of concrete and stones with stainless steel lens cover and screw.

#### FINISH

Natural concrete and stone mix finish available in dark gray and silver gray finish, highly resistant to rust and decay caused by environmental factors.

#### OPTICS/DIFFUSER

Embossed aluminum reflector with harden glass lens, available in general 36 degree and narrow 24 degree beam angle, direct and omni directional.

#### ELECTRICAL

Long life COB LED package, 90 CRI standard, SDCM 5-step binning, Outdoor rated LED driver with input voltages of 120-277Vac with 0-10V dimming, dim to 1% to off.

#### MOUNTING

Wall Mount

#### VALIDATIONS

ETL wet location Listed, IP54 and IK06 rated, Dark Sky compliant (Direct only) FCC, RoHS