

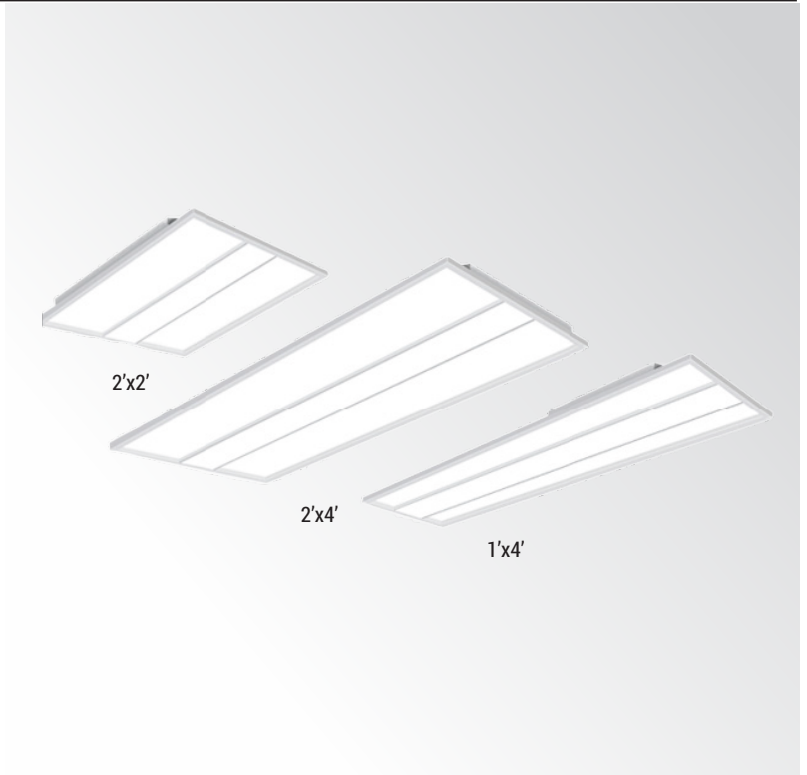
MODEL NO.	TYPE	PROJECT/DATE
-----------	------	--------------

KEY FEATURES

- Designed to deliver uniformity backlit volumetric illumination
- Compact yet sturdy construction
- Low profile form factor designed to blend into modern architectural spaces and for buildings with a low plenum space.

TECHNICAL DATA

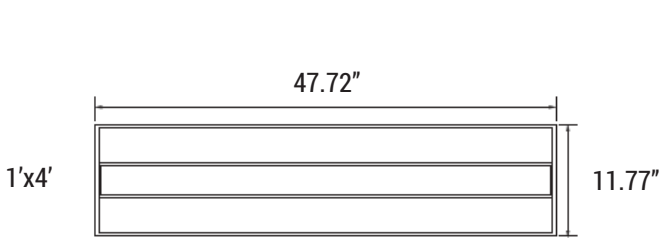
WATTAGE	ENP-14 & 22 - 25W/30W/35W ENP-24 - 30W/40W/50W
LUMEN/EFFICACY*	ENP-14 & 22 - 2750LM/3300LM/3850LM; UP TO 110LM/W ENP-24 - 3300LM/4400LM/5500LM; UP TO 110LM/W
INPUT VOLTAGE	110 - 277Vac
AVAILABLE CCT/CRI	35K/40K/50K Color Changeable; 80+ CRI
CONTROL	ON/OFF, 0-10V dimming
VALIDATION	cUL & UL Damp Location, DLC Listed, IC Rated, FCC
LIFETIME/WARRANTY	L70>56,000 HRS, 5 Year Warranty
OPERATION TEMP	-4°F ~ 104°F (AC) / 30°F ~ 104°F (WITH EM)
FINISH	White



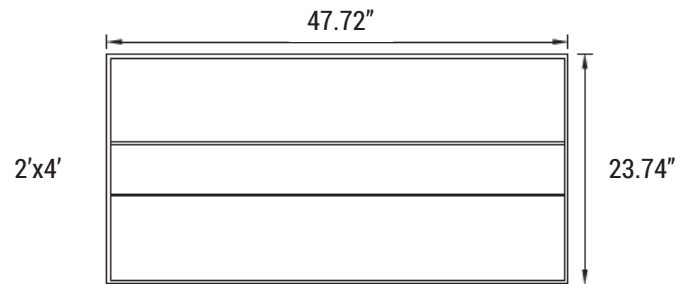
*Delivered lumen may vary, refer to photometric for full performance data



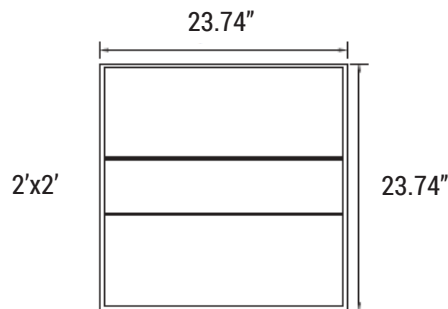
DIMENSIONS



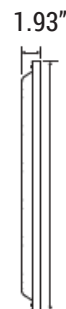
1' X 4'
WEIGHT: 6.06LBS



2' X 4'
WEIGHT: 8.05LBS



2' X 2'
WEIGHT: 5.07LBS



**DEPTH THE SAME
FOR ALL PRODUCTS**

MODEL NO.	TYPE	PROJECT/DATE
-----------	------	--------------

ORDERING INFORMATION

[]	-	[]	-	[]	-	[]	-	[]	-	[]	-	[]
Series	Height	Lumen Package	Voltage	CC	Control	EM Option*						
ENP - (Engage Volumetric Panel)	14 - (1'x4') 22 - (2'x2') 24 - (2'x4')	39LC - (2750LM/3300LM/3850LM) 55LC** - (3300LM/4400LM/5500LM)	U - (110-277Vac)	CC - (35K/40K/50K)	C1 - (0-10V dimming)	EM3 - (Factory installed 6W emergency backup)						

*Additional cost and/or lead time on customized fixtures may apply.

**55LC only available for ENP-24

AVAILABLE ACCESSORIES



Horizon Mount Kit
1x4 - HRK14
2x2 - HRK22
2x4 - HRK24



Ceiling Mount Kit
1x4 - BP-CMKW-1x4
2x2 - BP-CMKW-2x2
2x4 - BP-CMKW-2x4



Recessed Mount Kit
1x4 - BP-RMKW-1x4
2x2 - BP-RMKW-2x2
2x4 - BP-RMKW-2x4



PSC-ID-I-CM-301
Line Voltage Ceiling Mount PIR Occupancy Sensor (Field Installed)



PSC-ID-D-CM-301
Line Voltage Ceiling Mount Dual Tech Occupancy (Field Installed)



PSC-AC-PP-100
AC to DC Power Pack (Field Installed)
Required for use with either sensor option

*Accessories

- EM3 - 6W EM option factory installed
- PSC-ID-I-CM-301 - Line Voltage Ceiling Mount PIR Occupancy Sensor (Field Installed)
- PSC-ID-D-CM-301 - Line Voltage Ceiling Mount Dual Tech Occupancy (Field Installed)
- PSC-AC-PP-CM-100 - AC to DC Power Pack (Field Installed)
- BP-RMK-14/BP-RMK-22/BP-RMK-24 - Dry wall ceiling mount kit
- TT-CMKW-14/TT-CMKW-22/TT-CMKW-24 - Ceiling mount kit
- MCF-185-6F - 6ft 5-core metal-clad flex whip
- MCF-185-XF - Custom length 5-core metal-clad flex whip
- MCF-186-6F - 6ft 6-core metal-clad flex whip
- MCF-186-XF - Custom length 6-core metal-clad flex whip

*Available accessories sold separately

SPECIFICATIONS

CONSTRUCTION

Rugged, cold-rolled steel fabrication with embossed facets. Smooth hemmed side and smooth inward-formed end flanges for easy handling.

FINISH

Polyester coated finish in white, painted after fabrication with embossed facets.

OPTICS

Precision formed volumetric acrylic lens provides wide and visual comfortable luminous

ELECTRICAL

Long-life LEDs with standard 35K/40K/50K field changeable, coupled with 110-277Vac driver that can adjust output lumen with 0-10V dimming (10%).

VALIDATIONS

cUL & UL Damp Location IC rated, DLC 5.1, Not all product variations listed on this page are DLC qualified. Visit <https://www.designlights.org/qpl> to confirm qualification. FCC Listed



SPITZER MODEL NUMBER	DLC PRODUCT ID
ENP-14	S-Y0F3X7
ENP-22	S-IGZDHB
ENP-24	S-8MUNB3

DLC Listed
Visit <https://www.designlights.org/qpl> to confirm qualification.)