

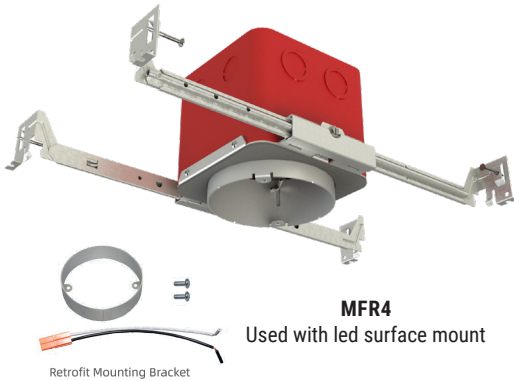
# MFR4

## 4" IC FIRE-RATED METALLIC ELECTRICAL JUNCTION BOX HOUSING

SKU No:

Type:

Date:



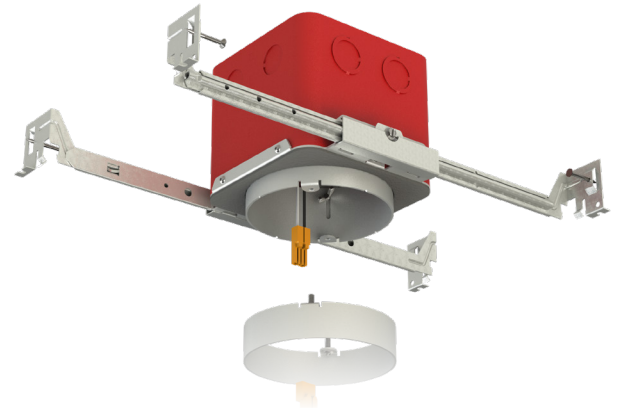
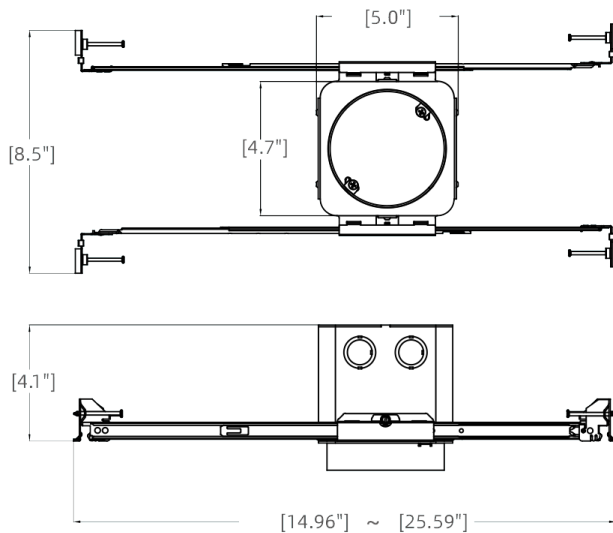
### FEATURES

- Conforms to UL1598 Recessed Luminaire Housing rated IC
- Conforms to UL514A Metallic Outlet Box, fire rated up to 2 hours
- Suitable for Wet Location
- ASTM E283 Air Tight Certified
- Solution for suspended lights with external driver
- Recessed housing rated IC for 4" Retrofit
- Painted steel square junction box
- Fits most surface mount fixtures and LED Retrofit fixtures



UL154A  
UL1598

### DIMENSIONS



**Note:**

Fire-resistance Ratings - ANSI/UL 263, section III.6

Metallic outlet boxes with metallic or nonmetallic cover plates may be used in floor-ceiling and roof-ceiling assemblies with ratings not exceeding 2 hours. These assemblies should have gypsum board membranes. The metallic outlet boxes should be securely fastened to the joists and the opening in the gypsum board facing should be cut so that the clearance between the box and the gypsum board does not exceed 1/8 in. The surface area of individual boxes should not exceed 16 sq. in. The aggregate surface area of the boxes should not exceed 100 sq. in. per 100 sq. ft of ceiling surface.

SKU No:

Type:

Date:

### COMPATIBLE FIXTURES



**ERS**



**ELR**



**SOL**



**DSK6**



**DSK10**