

MODEL NO.	TYPE	PROJECT/DATE
-----------	------	--------------

KEY FEATURES

- Wrapped in a die cast aluminum aiding in better cooling and light quality.
- High efficiency LED driver furthering the product work life.
- Optical design also greatly improves light utilization and evenness.

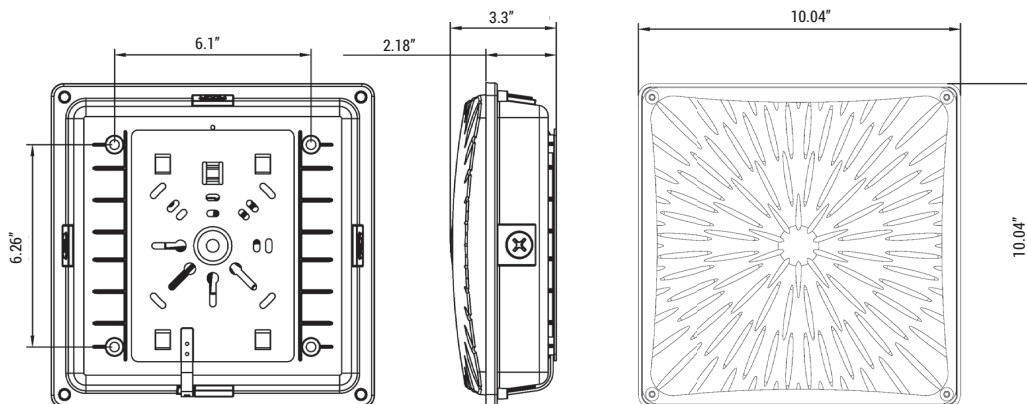
TECHNICAL SUMMARY

WATTAGE	26W, 39W, 52W, 65W
LUMENS*	8700 LM/7200LM/5500LM/3900LM
EFFICACY	UP TO 140LM/W
INPUT VOLTAGE	120-277Vac
AVAILABLE CCT/CRI	4000K/5000K Color Changeable , CRI >70
CONTROL	0-10V Dimming Driver, Bi-Level Microwave Motion Sensor w/Daylight Harvester
VALIDATIONS	UL & cUL Wet Location Listed
LIFETIME	L70>50,000 HRS
OPERATION TEMP	Regular (-22°F - 122°F) / EM (5°F - 122°F)
FINISH	Dark Bronze

*Delivered lumen may vary, refer to photometric for full performance data



DIMENSIONS



PGCS WEIGHT
6LBS

MODEL NO.	TYPE	PROJECT/DATE
-----------	------	--------------

ORDERING INFORMATION

[] -	[] -	[] -	[] -	[] -	[] -	[]
Series	Lumen Package	Voltage	CCT	Control	Finish	EM Option*
PGCS - (Parking Garage Canopy Square)	87LC - (8700/7200/5500/3900LM)	U - (120-277V)	CC - (40K/50K)	C1 - (0-10V dimming driver) C2 - (Bi-Level Motion Sensor)*	DB - (Dark Bronze) RAL - (Custom Color)*	EM1 - (8W Factory Installed Em Driver)

*Additional cost and/or lead time on customized fixtures may apply. Customized fixtures can not be returned.

AVAILABLE ACCESSORIES

*SOLD SEPARATELY



RC-100
Microwave Sensor Remote



BRI810-C-F
(C2) Microwave Motion Sensor

SPECIFICATIONS

CONSTRUCTION

Durable, die-cast aluminum housing with two 1/2" NPS side conduit entries.

FINISH

Powder coat finish in dark bronze.

OPTICS

Precision high impact UV resist polycarbonate lens.

ELECTRICAL

Long life LED system, input voltages 120-277Vac, 40/50K CCT changeable, 0-10v dimming driver standard, motion sensor option available.

VALIDATIONS

UL &cUL, Wet Location Listed

MOUNTING

Surface mount and stem pendant mount (3/4" NPT supplied by others)