

MODERN CM

Architectural Post-top Luminaire Modern Center Mount

MODEL NO.	TYPE	PROJECT/DATE
-----------	------	--------------

KEY FEATURES

- Architectural designed PTM is a elegant sculpture by day and a beacon of comfort by night.
- Single-piece die-cast aluminum housing rated for IP65 and IK08 with tool-less entry
- Center pole top mounting with field CCT and lumen output changeable

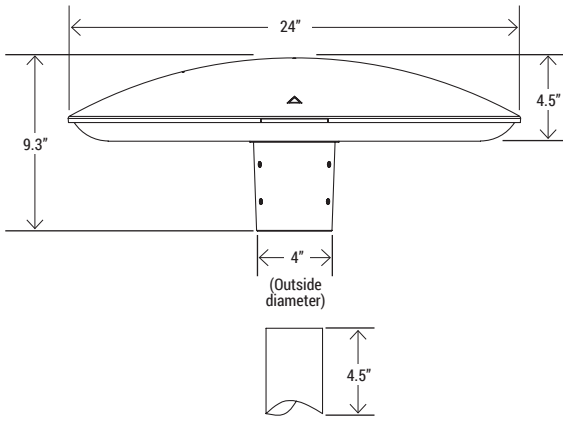
TECHNICAL SUMMARY

WATTAGE:	100/80/60W and 50/40/30W changeable
LUMEN/EFFICACY*	10000/8000/6000LM and 5000/4000/3000LM changeable, 100LM/W
INPUT VOLTAGE	120-277Vac or 277-480Vac
AVAILABLE CCT/CRI	3000/4000/5000K CCT changeable, 2700K, 3500K optional, 80CRI standard, 90CRI optional
CONTROL	On/off with 0-10V dimming driver, Bi-level microwave motion sensor, 7-pin Nema twist lock base and ELL photocontrol
VALIDATIONS	ETL & cETL wet location Listed, IP65 and IK08 rated, IDA dark sky compliant, FCC, RoHS
LIFETIME	L70>100,000 hours, 5 year warranty
DISTRIBUTION	Type V distribution
SURGE PROTECTION	10Kv/5Ka
OPERATION TEMP.	-40°F ~ 122°F
FINISH	Standard: Dark bronze (RAL 8019), Matte Black (RAL 9011) Matte White (RAL 9010), Silver Gray (RAL 9006)

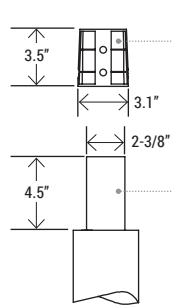
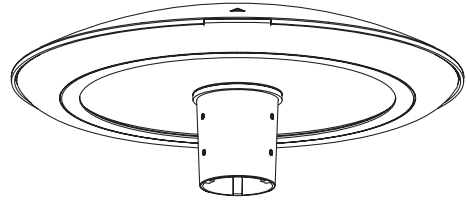
*Delivered lumen may vary, refer to photometric for full performance data



DIMENSIONS



PTM (CM)
EPA: 0.5 ft² / Weight: 25 lbs



(Ship with a removable adapter to slip fit onto standard 2-3/8 tenon)

*The light pole will need to have a 2-3/8 tenon in order to mount post top, it is either provided by other or can be purchased through Spitzer Lighting.

MODERN CM

Architectural Post-top Luminaire Modern Center Mount

MODEL NO.	TYPE	PROJECT/DATE
-----------	------	--------------

ORDERING INFORMATION

*Additional cost and/or lead time on customized fixtures may apply.

Series	Lumen Package	Input Voltage	CCT	Light Distribution	Lens & Diffuser Type	Control	Finish	Mounting
PTM	50LC - (5000/4000/3000LM) 100LC - (10,000/8000/6000LM)	U - (120-277V) H - (277V-480)*	CC - (30K/40K/50K selectable) 27K - (2700K)* 35K - (3500K)*	T5 - (Type V)	FP - (Deep Frosted PC diffuser)	C1 - (On/Off with 0-10V driver no dimming wires) C2 - (7-pin receptacle with short cap)* C3 - (7-pin receptacle with photocell)* C4 - (Bi-level microwave motion sensor)*	BK - (Matte Black) DB - (Dark Bronze) SG - (Silver Gray)* WH - (Matte White)* CC - (Custom color)*	CM - (Center mount)

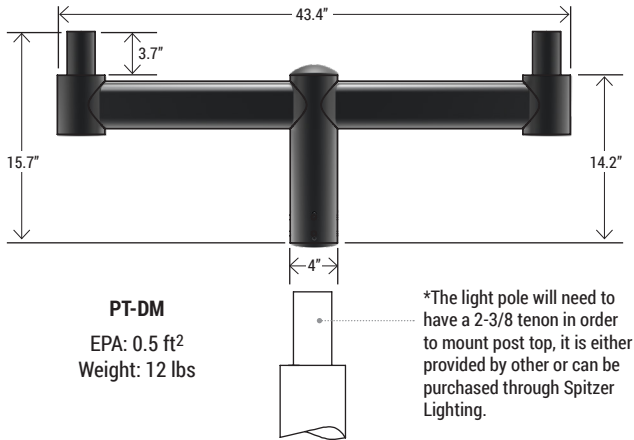
*AVAILABLE ACCESSORIES:

*Accessories

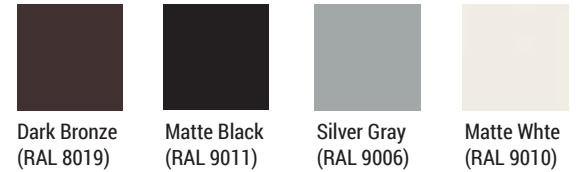
PT-DM-BK/DB/SG/WH - Pre-wired post top dual mount bracket

PTM-CPP - Pre-install 0-10V dimming wires

**Available accessories sold separately*



FINISH REFERENCE



SPECIFICATIONS

CONSTRUCTION

Die-cast aluminum housing with a impact proof PC diffuser, fully gasketed with tubular silicone gasket and tool-less entry into driver compartment for maintenance.

FINISH

Exterior parts are protected by a rust and corrosion proof zinc-infused polyester powder coating.

OPTICS/DIFFUSER

Deep frosted PC diffuser providing Type V distribution.

ELECTRICAL

Long life LED system, Outdoor rated Class constant current 0-10V dimmable driver, Line voltage 120-277Vac or 277-480vac, motion sensor and photocell option available.

MOUNTING

Center slipfit mount (CM) for pole top tenon mounting, optional dual post mount with PT-DM bracket.

VALIDATIONS

ETL & cETL wet location Listed, IP65 and IK08 rated, IDA dark sky compliant, FCC, RoHS