

MODEL NO.	TYPE	PROJECT/DATE
-----------	------	--------------

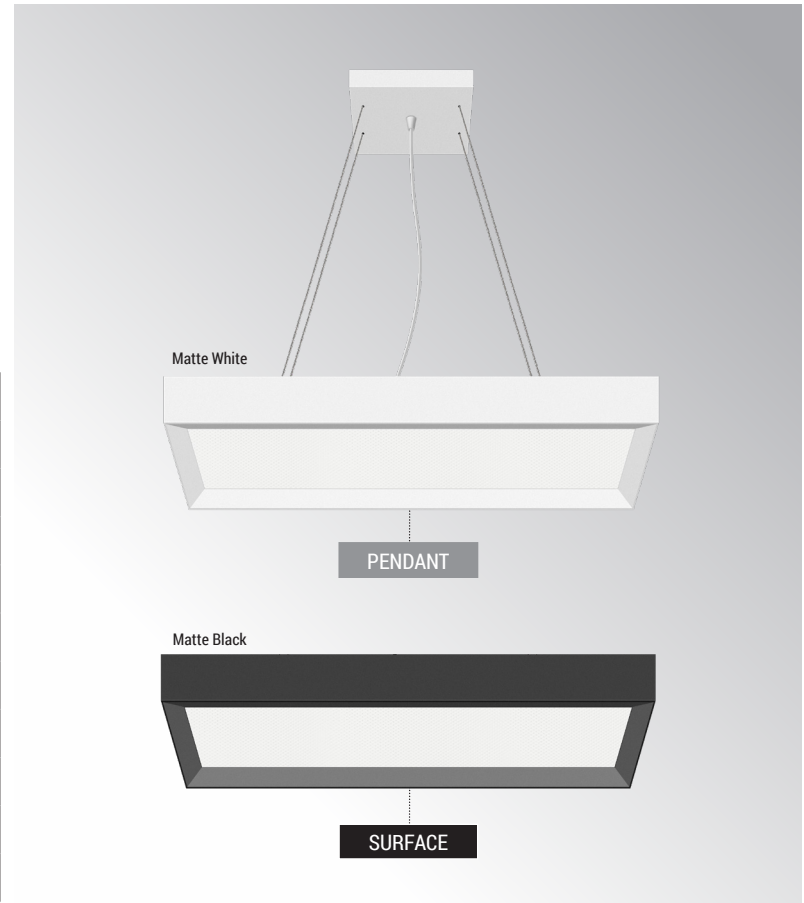
KEY FEATURES

- Stunningly designed square edge-lit low profile 2.6" surface and pendant luminaire
- Frosted diffuser & micro prismatic lens delivers a low-glare visual comforting direct & indirect illumination
- Standard 90CRI and 0-10V dim to 1% lighting control and a 3-SDCM color consistency
- Sharp deep regressed edge provides a refined elegance

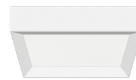
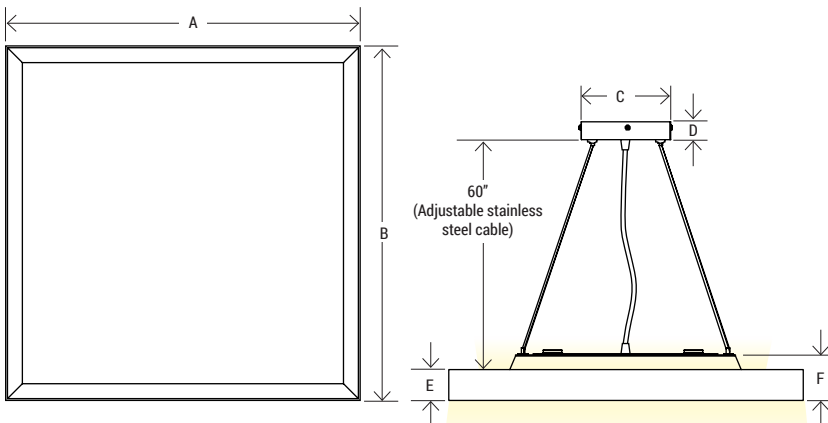
TECHNICAL SUMMARY

SIZE:	12"x12"; 18"x18"; 24"x24"
WATTAGE:	23W; 40W/30W; 60W/40W
*LUMEN/EFFICACY	1800LM; 3200LM/2500LM; 5200LM/3600LM
EFFICACY	100LM/W
INPUT VOLTAGE	120-277Vac
AVAILABLE CCT/CRI	3500K, 4000K, custom / CRI >90
CONTROL	0-10V dimming, dim to 1% to off standard
VALIDATIONS	ETL & CETL Damp Location, IC Rated, FCC, RoHS
LIFETIME	L90>50,000 hours, 5 year warranty
OPERATION TEMP.	-4°F ~ 104°F
FINISH	White, Black, Custom finish

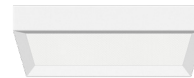
*Delivered lumen may vary, refer to photometric for full performance data



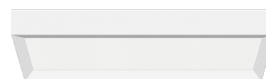
DIMENSIONS



SKY-12	(A)	(B)	(C)	(D)	(E)	(F)	Weight
	11.8"	11.8"	5.9"	1.2"	2.17"	3.35"	7 lbs



SKY-18	(A)	(B)	(C)	(D)	(E)	(F)	Weight
	17"	17"	5.9"	1.2"	2.17"	3.35"	11 lbs



SKY-24	(A)	(B)	(C)	(D)	(E)	(F)	Weight
	23.4"	23.4"	5.9"	1.2"	2.17"	3.35"	17 lbs

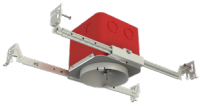
MODEL NO.	TYPE	PROJECT/DATE
-----------	------	--------------

ORDERING INFORMATION

*Additional cost and/or lead time on customized fixtures may apply. Customized fixtures can not be returned.

Series	Size	Lumen Package	Voltage	CCT	Diffuser	Control	Mounting	Finish
SKY	12 - (12")	18L - (Direct: 1800lm/Indirect: 400lm)	U - (120/277Vac)	27K- (2700K) 30K- (3000K)* 35K - (3500K) 40K - (4000K)*	PL - (Micro Prismatic lens)	C1 - (0-10V, 1%)	P - (Pendant, 5ft) S - (Surface Mount)	BK - (Matte Black) WH - (Matte White) ME - (Metallic Silver)* RD - (Fabulous Red)* GR - (Golf Green)* OR - (Bright Orange)* YL - (Amber Yellow)* WB - (Wood Brown)* RAL - (Custom Color) (Made to order)**
	18 - (18")	25L - (Direct: 2500lm/Indirect: 440lm)						
		32L - (Direct: 3200lm/Indirect: 550lm)						
	24 - (24")	52L - (Direct: 5200lm/Indirect: 880lm)						
		36L - (Direct: 3600lm/Indirect: 650lm)						

*AVAILABLE ACCESSORIES: (SOLD SEPARATELY)



MFR4
4" IC Fire Rated Metallic
Electrical J-box housing

*Accessories
MFR4 - 4" Fire rated metallic electrical j-box housing

SPECIFICATIONS

CONSTRUCTION

Low profile extruded aluminum housing with 18 gauge steel mounting plate with a sophisticated aesthetic regress edge.

FINISH

Powder coated in matte white and black finish. Optional: metallic silver, fabulous red, golf green, bright orange, amber yellow, custom.

OPTICS/DIFFUSER

Edge-lit light guide panel with low-glare micro-prismatic lens.

ELECTRICAL

Class 2, 120-277Vac, 0-10V 1% flicker-free driver with long life direct/indirect LED engine. Indirect can be switch off in field.

MOUNTING

Pendant or surface. Surface mount directly to an industry standard 4" metal or plastic octagon junction box with 3-1/2" junction box screw-hole spacing. Luminaire provided with leads for direct wire connection in junction box.

VALIDATIONS

ETL & cETL certified. damp lcoation. IC Rated. RoHS. FCC.