

| | | |
|-----------|------|--------------|
| MODEL NO. | TYPE | PROJECT/DATE |
|-----------|------|--------------|

KEY FEATURES

- Available in two lengths and apertures
- Three selectable color temperature
- Three selectable wattage levels

TECHNICAL SUMMARY

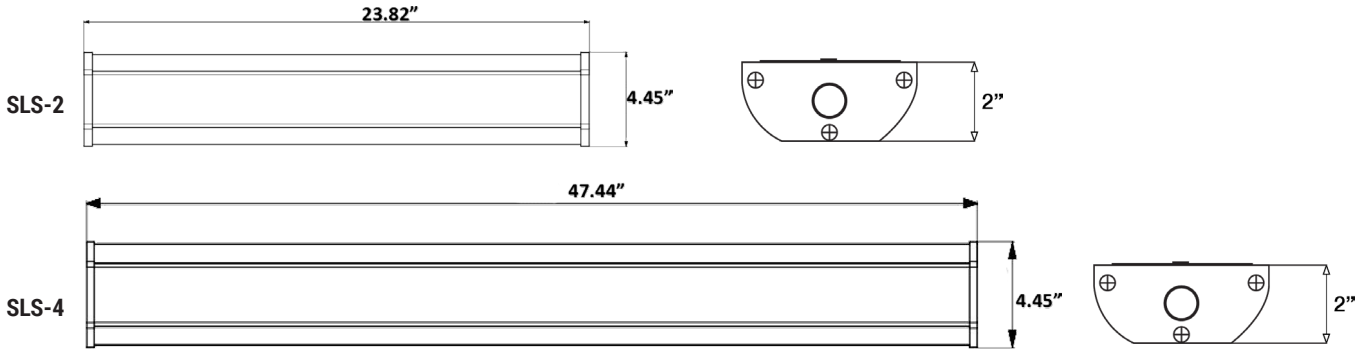
| | |
|-------------------|--|
| SIZE | 2', 4' |
| WATTAGE | 2': 25W 4': 50W |
| LUMEN/EFFICACY | 2': 3,300 LM; 135 LM/W 4': 6,600 LM; 135 LM/W |
| INPUT VOLTAGE | 120 - 277V, 120-347V |
| AVAILABLE CCT/CRI | 3000K/3500K/4000K Color Changeable; CRI>80 |
| CONTROL | 0-10V, Bi-level Ultrasonic Motion Sensor |
| VALIDATION | UL Damp Location, ADA, FCC, RoHS |
| LIFETIME/WARRANTY | 5 YR Warranty / L70>50,000 HRS |
| OPERATION TEMP | -4°F ~ 104°F |



*Delivered lumen may vary, refer to photometric for full performance data



DIMENSIONS



LUMEN CHART

SLS-2

| Wattage | 25W | 20W | 15W |
|--------------|--------|--------|--------|
| Lumen Output | 3300lm | 2700lm | 2000lm |

SLS-4

| Wattage | 50W | 40W | 30W |
|--------------|--------|--------|--------|
| Lumen Output | 6600lm | 5400lm | 4140lm |

| | | |
|-----------|------|--------------|
| MODEL NO. | TYPE | PROJECT/DATE |
|-----------|------|--------------|

ORDERING INFORMATION

*Additional cost and/or lead time on customized fixtures may apply.
 ** EM1 is 5W for SLS-2FT; 8W for SLS-4ft



| Series | Size | Lumen Package | Voltage | CC | Control | Finish | EM Options* |
|----------------------------------|-----------|---|--------------------------------------|--------------------------------------|--|--------------|-----------------------------------|
| SLS - (Stairwell Linear Surface) | 2 - (2FT) | 33LC1 - Lumen Changeable (15W,2000lm/ 20W,2700lm/ 25W,3300lm) | U - (120 - 277V) H - (120 - 347V) | CC8 - Color Changeable (35K/40K/50K) | C1 - (0-10V Dimming) C2 - (Ultrasonic Motion Sensor)* | WH - (white) | EM1 - (Emergency Driver Option)** |
| | 4 - (4FT) | 66LC1 - Lumen Changeable (30W,4100lm/ 40W,5400lm/ 50W,6600lm) | | | | | |

AVAILABLE ACCESSORIES



PSC-BL-U-FM-DCO
DIMMING ULTRASONIC SENSOR

SPECIFICATIONS

CONSTRUCTION

Die-formed 22 gauge cold-rolled steel backplate with extruded aluminum housing. Luminaire is ADA compliant.

FINISH

Powder coated in a white finish.

OPTICS

High-diffused acrylic lens reducing glare and provide smooth distribution over the appointed area.

ELECTRICAL

Constant current class 2 120-277Vac input, 50/60Hz driver with 0-10V dimming and DC12V output for sensor. Lumen maintenance is L70>50,000.

VALIDATIONS

UL certified. 5 year warranty. RoHS. FCC.

MOUNTING

Surface mounting. Ceiling Mount.