

MODEL NO.	TYPE	PROJECT/DATE
-----------	------	--------------

KEY FEATURES

- Steel latches
- Polycarbonate lens
- Three available sizes

TECHNICAL SUMMARY

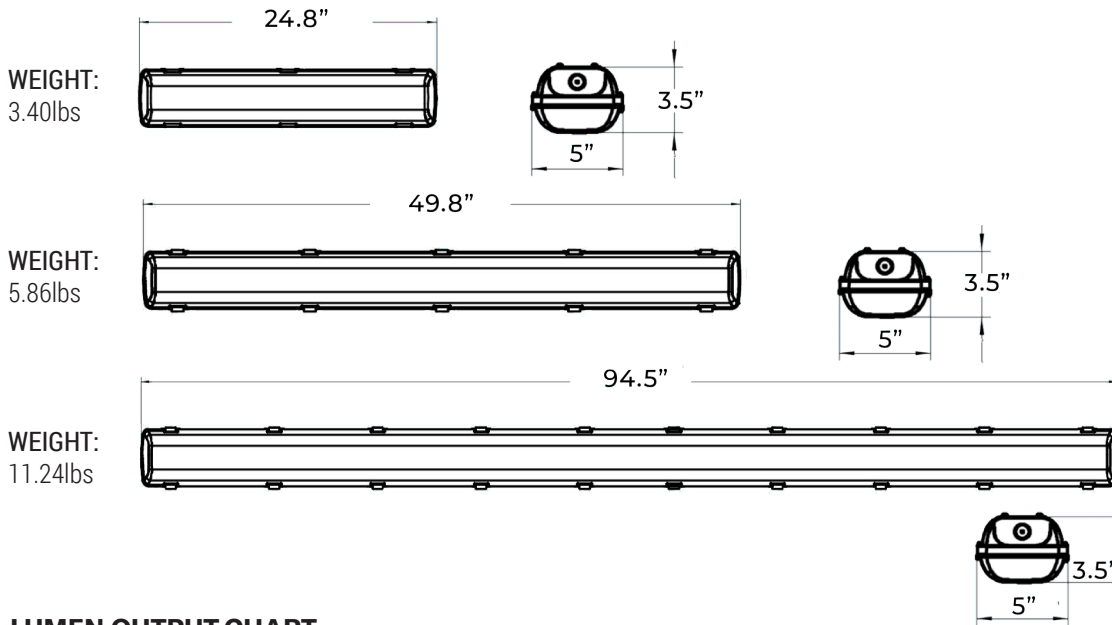
SIZE	2', 4', 8'
WATTAGE	2': up to 30W 4': 45W 8': 90W
LUMEN/EFFICACY	2': 4000LM; 135LM/W 4': 6500LM; 135LM/W 8': 6500LM; 135LM/W
INPUT VOLTAGE	120 - 277V
AVAILABLE CCT/CRI	3500K/4000K/5000K Color Changeable; CRI>80
CONTROL	0-10V, Bi-level microwave motion sensor w/daylight harvester
VALIDATION	Wet Location, FCC, RoHS
LIFETIME/WARRANTY	5 YR WARRANTY / L70>100,000 HRS
OPERATION TEMP	-40°F ~ 104°F



*Delivered lumen may vary, refer to photometric for full performance data



DIMENSIONS



LUMEN OUTPUT CHART

VTZ-2	HIGH	MEDIUM	LOW
WATTAGE	30W	25W	20W
LUMEN OUTPUT	4000LM	3400LM	2800LM

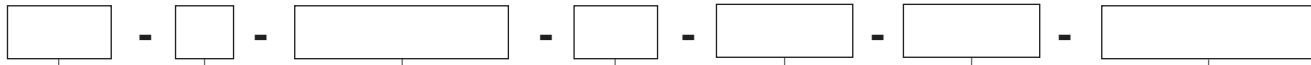
VTZ-4	HIGH	MEDIUM	LOW
WATTAGE	45W	38W	34W
LUMEN OUTPUT	6500LM	5500LM	5000LM

VTZ-8	HIGH	MEDIUM	LOW
WATTAGE	90W	75W	65W
LUMEN OUTPUT	12000LM	11000LM	9300LM

MODEL NO.	TYPE	PROJECT/DATE
-----------	------	--------------

ORDERING INFORMATION

*Additional cost and/or lead time on customized fixtures may apply.



Series	Size	Lumen Package	Voltage	CCT	Control	EM Options*
VTZ - (Vaportite)	2 - (2 FT)	40LC - (4000/3400/2800lm)	U - (120-277V)	CC - (35K/40K/50K)	C1 - (0-10V) C2 - (ANT-3C)*	EM1 - (8W factory install emergency driver) EM2 - (15W factory install emergency driver)
	4 - (4 FT)	65LC - (6500/5500/5000lm)				
	8 - (8 FT)	120LC - (12000/11000/9300lm)				

AVAILABLE ACCESSORIES



C2
ANT-3C
BI-LEVEL MICROWAVE MOTION
SENSOR



RC-100
MICROWAVE SENSOR REMOTE
CONTROLLER



*INCLUDED ACCESSORIES
V-HOOK, BRACKET, SCREWS,
PLASTIC TUBE, WATERPROOF PLUG

*Accessories

RC-100 - (Remote Control)

*Available accessories sold separately

SPECIFICATIONS

CONSTRUCTION

Our ruggedly sealed VTZ utilizes gaskets, an ABS housing, stainless-steel latches with Polycarbonate lens, available in 2, 4 and 8ft

FINISH

Gray color housing

OPTICS

High impact UV resist polycarbonate lens

ELECTRICAL

Long life LED system, input voltages 120-277Vac, 35/40/50K CCT changeable, 0-10v dimming standard, motion sensor option available.

VALIDATIONS

UL, wet location Listed. RoHS. FCC.

MOUNTING

Surface mount and suspend mount