

WPST

Slim Semi-cutoff Wallpack Traditional

MODEL NO.	TYPE	PROJECT/DATE
-----------	------	--------------

KEY FEATURES

- Affordable semi-cutoff wallpack with a new slim, less obtrusive design
- Indirect reflective optical design with toughened textured glass lenses
- Lumen and CCT changeable function is standard

TECHNICAL SUMMARY

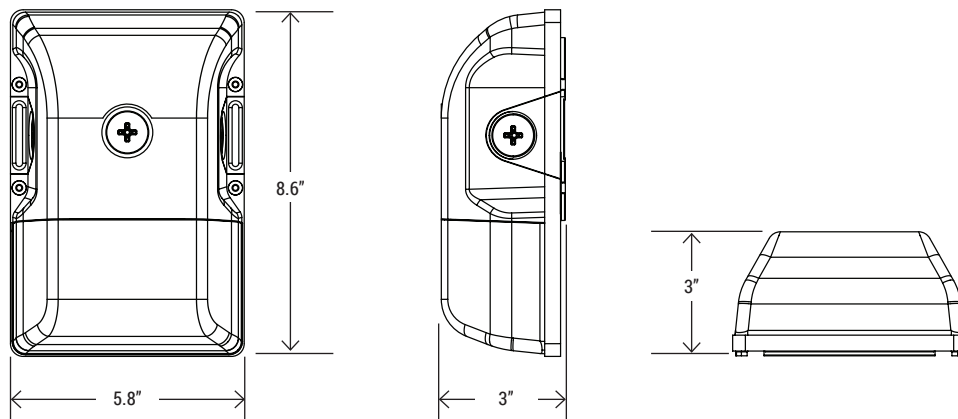
WATTAGE:	25W/20W/15W
LUMEN/EFFICACY	3400/2600/2000lm, Up to 135lm/W
INPUT VOLTAGE	120-277Vac
AVAILABLE CCT/CRI	30/40/50K changeable, custom single CCT available / 80+CRI
CONTROL	On/off with 0-10V driver, DC powered button photocell
VALIDATIONS	UL wet location listed, IP65, FCC, RoHS, ADA compliant, DLC Premium
LIFETIME	L70>54,000 hours, 5 year warranty
DISTRIBUTION	Semi-cutoff
SURGE PROTECTION	4kV SPU included
OPERATION TEMP.	-13°F ~ 104°F / With EM -4°F ~ 104°F



*Delivered lumen may vary, refer to photometric for full performance data



DIMENSIONS



Weight: 4 lbs (with EM: 4.5 lbs)

WPST

Slim Semi-cutoff Wallpack Traditional

MODEL NO.	TYPE	PROJECT/DATE
-----------	------	--------------

ORDERING INFORMATION

<input type="text"/>	-	<input type="text"/>	-	<input type="text"/>	-	<input type="text"/>	-	<input type="text"/>	-	<input type="text"/>
Series	Lumen Package	Voltage	CCT	Control	Finish	EM Option*				
WPST	34LC - (3400/2600/2000LM)	U - (120-277V)	CC - (30K/40K/50K changeable)	C1 - (on/off with 0-10V driver and integrated photocell)	DB - (Dark Bronze)	EM - (Factory installed 4W emergency)				

SPECIFICATIONS

CONSTRUCTION

Cast aluminum housing optimized thermal dissipation from the LED engine and promote long life. Housing is fully gasketed with a silicone gasket to keep out moisture and dust rated for IP65.

FINISH

Dark bronze.

OPTICS

High-Impact PC lens.

ELECTRICAL

Long life LED system with 30/40/50K CCT changeable. A Class P, constant current 0-10V dimmable driver with 120V-277Vac with 4Kv SPU, 50-60 HZ. Ships with field enable/disable button photocell.

VALIDATIONS

UL wet location listed, IP65, FCC, RoHS, ADA compliant, DLC Premium 5.1

MOUNTING

Wall mount



DLC Premium
Visit <https://www.designlights.org/qpl> to confirm qualification.)

SPITZER MODEL NUMBER	DLC PRODUCT ID
WPST-34LC-U-CC-C1-[DB,BK,WH]-[blank,EM]	S-F1NYH2