

MODEL NO.	TYPE	PROJECT/DATE
-----------	------	--------------

KEY FEATURES

- Elegantly designed with visual-comfortable illumination performance
- Impact proof IK10 rated PC lens with symmetrical distribution
- Optional -20°C emergency battery backup driver

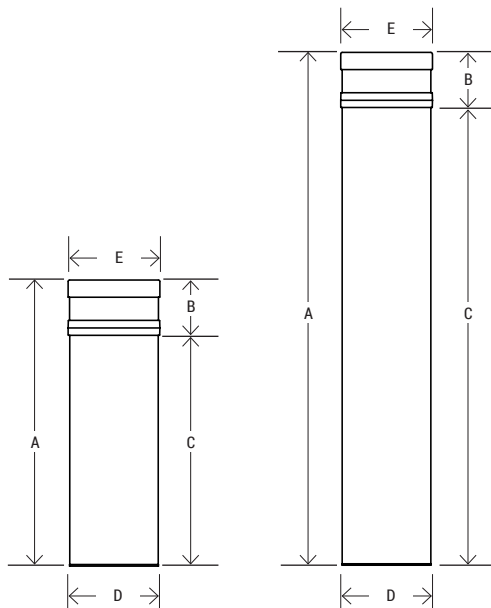
TECHNICAL SUMMARY

SIZE:	24" and 42" Overall height
WATTAGE:	20/16/12/8W
LUMEN/EFFICACY*	2000/1600/1200/800LM, 100 LM/W
INPUT VOLTAGE	120-277Vac, 277-480Vac
AVAILABLE CCT/CRI	30/40/50K changeable, 70+CRI, Custom
CONTROL	On/Off with 0-10V driver
VALIDATIONS	ETL & cETL wet location listed, IP65 and IK10 rated, RoHS, FCC compliant
LIFETIME	L70>100,000 hours, 5 year warranty
OPERATION TEMP.	-40°F ~ 122°F / -4°F ~ 122°F (with EM)
FINISH	Black, Dark Bronze, Silver Gray, White, Custom

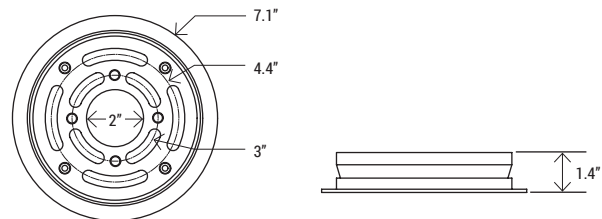
*Delivered lumen may vary, refer to photometric for full performance data



DIMENSIONS



Model No.	A HEIGHT	B HEAD	C BODY	D DIAMETER	E TOP HEAD	WEIGHT
BSC-24	24"	4.4"	18.6"	7.1"	7.3"	12 lbs
BSC-42	42"	4.4"	36.6"	7.1"	7.3"	16 lbs



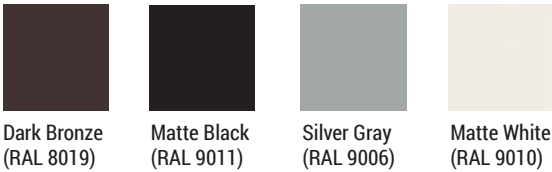
MODEL NO.	TYPE	PROJECT/DATE
-----------	------	--------------

ORDERING INFORMATION

*Additional cost and/or lead time on customized fixtures may apply.

[]	-	[]	-	[]	-	[]	-	[]	-	[]	-	[]	-	[]	-	[]	-	[]	-	[]
Series	Size	Lumen Package	Voltage	CCT	Light Distribution	Control	Finish	EM Option	Wood Body Finish											
BRC - (Compact Round Bollard)	24 - (24") 42 - (42")	20LC - (2000/1600/1200/800LM)	U - (120-277V) H** - (277V-480V) <i>**EM option not available</i>	CC - (30/40/50 Color Changeable) Custom - (Custom single-CCT)	T5 - (Type V)	CT - (ON & Off 0-10V dimming)	BK - (Matte Black) DB - (Dark Bronze) SG - (Silver Gray) WH - (Matte White) Custom RAL*	EM - (6W emergency option factory installed, cold-pack)	WW - (Walnut wood dark finish)* BW - (Cherry wood brown finish)* OW - (Oakwood light finish)*											

FINISH REFERENCE



*Accessories
SP-EM6C - Factory installed 6W EM battery cold pack
BR-ANC - Anchor base mounting kit (Required for installation, pre-ship option available)

*Available accessories sold separately

*Wood Body Finish
WW - (Walnut wood dark finish)*
BW - (Cherry wood brown finish)*
OW - (Oakwood light finish)*



BR-ANC
Anchor base mounting kit
quired for installation, pre-ship option available)

SPECIFICATIONS

CONSTRUCTION

Low copper aluminum alloy die-cast top with extruded round aluminum body.

FINISH

Exterior parts are protected by a rust and corrosion proof zinc-infused polyester powder coating finish.

OPTICS/DIFFUSER

UV proof, IK10 rated PC lens with symmetrical distribution.

ELECTRICAL

Long life LED system, Outdoor rated LED driver that accommodates input voltages of 120-277Vac or 277-480Vac, at 50/60Hz with 0-10v dimming control function, CCT changeable.

MOUNTING

Anchor based mounting (anchors sold separately)

VALIDATIONS

ETL & cETL wet location listed,, IP65 and IK10 rated, FCC compliant, RoHS compliant