

# DOT 5

## 5" Architectural Glass Casting Sconces

MODEL NO.	TYPE	PROJECT/DATE
-----------	------	--------------

### KEY FEATURES

- Choice of variety of artfully designed one-piece solid glass casted shade
- Suitable for both indoor and outdoor application, ADA compliant
- Provide visual comfortable and dimmable 90CRI illumination

### TECHNICAL SUMMARY

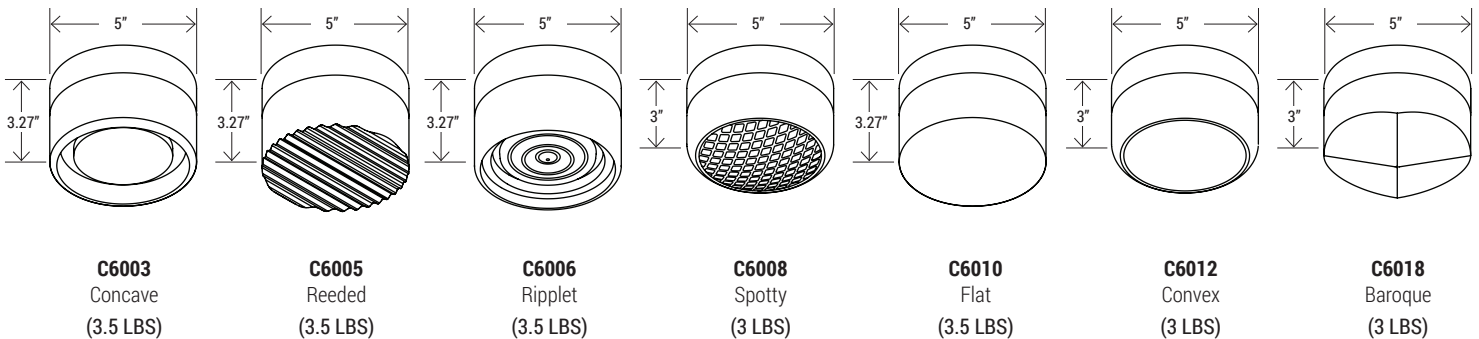
SIZE:	5" (OD) x 3.3" (Depth)
WATTAGE:	10W
LUMEN/EFFICACY*	TG: 320LM @ 40LM/W AG: 250LM @ 31LM/W CG: 320LM @ 40LM/W
INPUT VOLTAGE	120Vac
AVAILABLE CCT/CRI	3000K / CRI >90, custom
CONTROL	Triac phase dimming to 10%
VALIDATIONS	ETL and cETL wet location listed, ADA, FCC, RoHS
LIFETIME	L70>70,000 hours, 5 year warranty
OPERATION TEMP.	-4°F ~ 104°F
FINISH	Black, White, Gold and Chrome (Base) / Transparent, Amber, Chrome (Glass)



\*Delivered lumen may vary, refer to photometric for full performance data



### DIMENSIONS



# DOT 5

## 5" Architectural Glass Casting Sconces

MODEL NO.	TYPE	PROJECT/DATE
-----------	------	--------------

### ORDERING INFORMATION

\*Additional cost and/or lead time on customized fixtures may apply.

[ ]	-	[ ]	-	[ ]	-	[ ]	-	[ ]
Series	Style	CCT	LED Engine Finish	Glass Type				
DT5	C6003 - (Concave)	30K - (3000K) Custom*	BK - (Black finish engine base) WH - (White finish engine base) GD - (Gold finish engine base)** CH - (Chrome finish engine base)**	TG - (Transparent glass) AG - (Amber glass)** CG - (Chrome glass)**				
	C6005 - (Reeded)							
	C6006 - (Ripplet)							
	C6008 - (Spotty)							
	C6010 - (Flat)							
	C6012 - (Convex)							
	C6018 - (Baroque)				(Made to order)**			

### \*AVAILABLE ACCESSORIES: (SOLD SEPARATELY)



**TG**  
Transparent glass



**AG\*\***  
Amber glass



**CG\*\***  
Chrome glass

### \*Accessories

- MFR4** - 4" Fire rated metallic electrical j-box housing
- TP** - Tamper proof locking screws
- DT5-LEM-30K-WH/BK/GD/CH** - DOT 5" LED Engine module, 10W, 120Vac, 3000K, WH/BK/GD/CH base
- DT5-C6003-TG/AG/CG** - DOT 5" Concave style glass, TG/AG/CG glass
- DT5-C6005-TG/AG/CG** - DOT 5" Reeded style glass, TG/AG/CG glass
- DT5-C6006-TG/AG/CG** - DOT 5" Ripplet style glass, TG/AG/CG glass
- DT5-C6008-TG/AG/CG** - DOT 5" Spotty style glass, TG/AG/CG glass
- DT5-C6010-TG/AG/CG** - DOT 5" Flat style glass, TG/AG/CG glass
- DT5-C6012-TG/AG/CG** - DOT 5" Convex style glass, TG/AG/CG glass
- DT5-C6018-TG/AG/CG** - DOT 5" Baroque style glass, TG/AG/CG glass

### SPECIFICATIONS

#### CONSTRUCTION

5 inch OD Aluminum housing with one-piece solid casted glass shade.

#### FINISH

Polyester powder coat finish over a multi-stage pre-treatment.

#### OPTICS/DIFFUSER

One-piece solid casted glass shade.

#### ELECTRICAL

120Vac Driver-on-board, Triac/phase dim to 10%, long life LED board.

#### MOUNTING

Surface mount (wall or ceiling) directly to a standard 4" octagon J-box (3-1/2" junction box screw-hole spacing required for installation).

#### VALIDATIONS

ETL and cETL wet location listed, ADA, FCC, RoHS