

MODEL NO.	TYPE	PROJECT/DATE
-----------	------	--------------

### KEY FEATURES

- Slim profiled minimalistic designed surface mount luminaire
- CCT changeable with unobtrusive edge-lit illumination
- Integrated Bi-level PIR and daylight harvesting sensor

### TECHNICAL SUMMARY

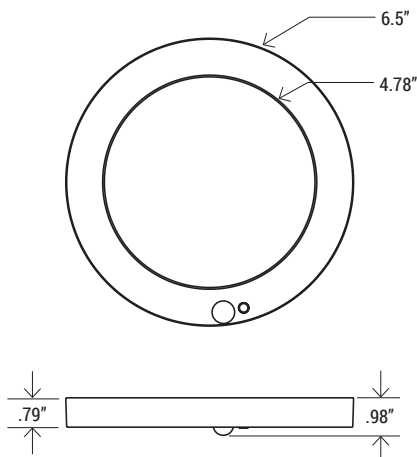
SIZE:	6", 8"
WATTAGE:	12W (6"), 18W (8")
LUMEN	800LM, 1200LM
EFFICACY	up to 80LM/W
INPUT VOLTAGE	120-277Vac
AVAILABLE CC	2700K/3000K/3500K/4000K/5000K Color changeable
CRI	90CRI
CONTROL	On/off with PIR occupancy and daylight harvesting sensor
VALIDATIONS	ETL & cETL damp location listed, FCC, RoHS compliant
LIFETIME	L70>54,000 hours, 5 year warranty
OPERATION TEMP.	-4°F ~ 104°F
FINISH	White



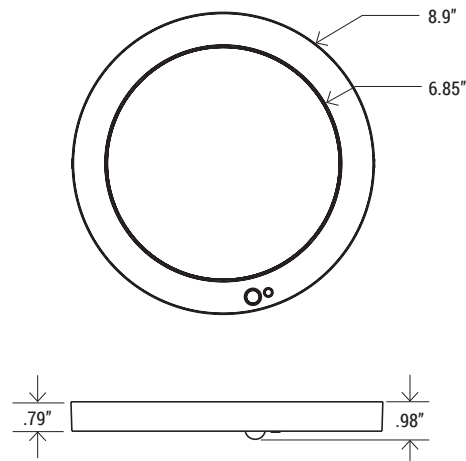
\*Delivered lumen may vary, refer to photometric for full performance data



### DIMENSIONS



**ERM-06**  
(0.75 lb)

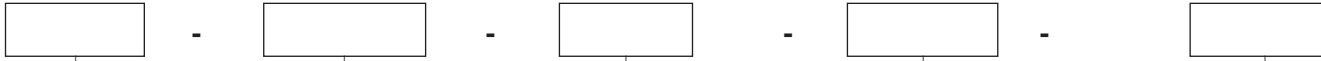


**ERM-08**  
(1.2 lbs)

MODEL NO.	TYPE	PROJECT/DATE
-----------	------	--------------

### ORDERING INFORMATION

\*Additional cost and/or lead time on customized fixtures may apply.



Series	Size	Lumen Package	Voltage	CCT
ERM	06 - (6")	08L - 800LM (6")	U - (120-277V)	5CC - 27K/30K/35K/40K/50K color changeable
	08 - (8")	12L - 1200LM (8")		

### \*AVAILABLE ACCESSORIES: (SOLD SEPARATELY)



MFR4  
4" IC Fire Rated Metallic  
Electrical J-box housing

*Accessories
MFR4 - 4" IC Fire rated metallic electrical j-box housing

### SPECIFICATIONS

#### CONSTRUCTION

Non-conductive PC housing, less than 0.8" housing profile, integrated aluminum heat-sink and in white finish.

#### FINISH

Polyester coated finish in powder coating after fabrication with embossed facets.

#### OPTICS/DIFFUSER

Frosted PC diffuser.

#### ELECTRICAL

120-277VAC, 27/30/35/40/50K CCT changeable with integrated PIR & daylight harvesting sensor

#### MOUNTING

Surface mount (wall or ceiling) directly to an industry standard 4" metal or plastic octagon junction box with 3-1/2" junction box screw-hole spacing. Luminaire provided with leads for direct wire connection in junction box.

#### VALIDATIONS

ETL & cETL damp location listed, FCC, RoHS compliant