

# FLOW

## Architectural Surface Full Illumination Vandal Resistant Luminaire

MODEL NO.	TYPE	PROJECT/DATE
-----------	------	--------------

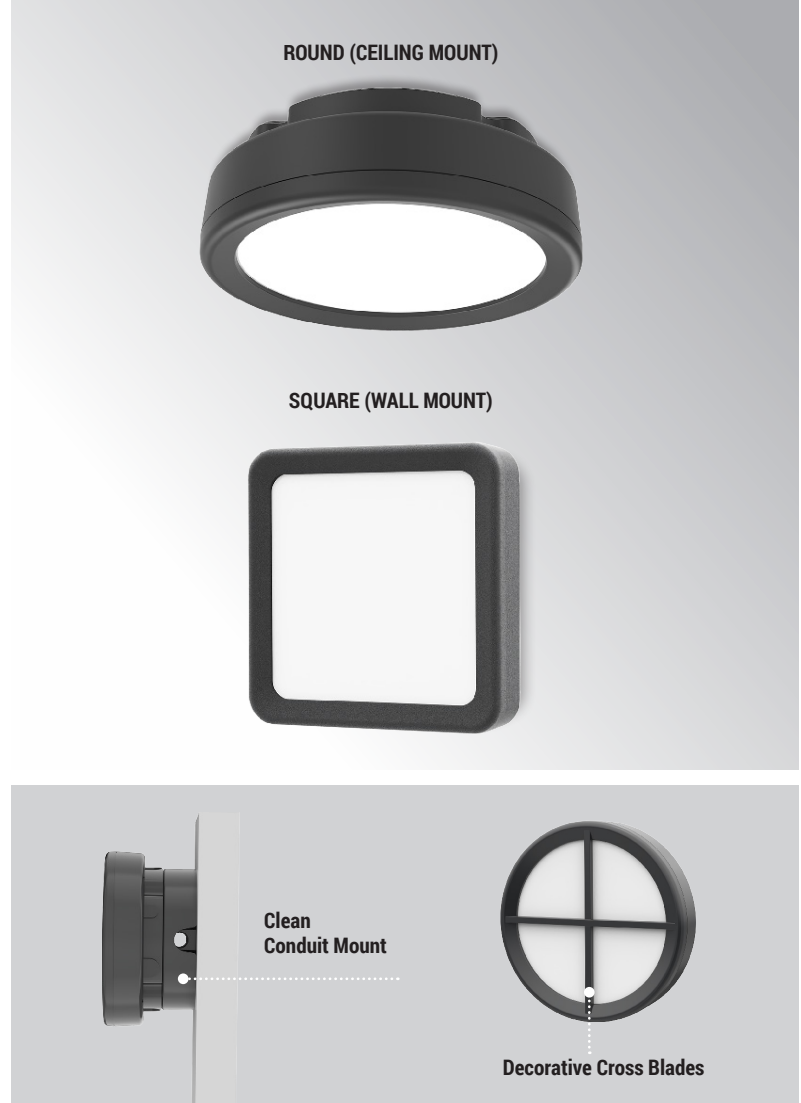
### KEY FEATURES

- Flow combines stylistic elegance with rugged protection and vandal resistance
- Surface mount in round & square shape, full distribution delivering purposeful illumination
- Luminaire is ingress protection rated IP65, impact rated IK10, ADA compliant
- 3 CCT changeable LED system with 0-10V dimmable, integrated EM driver option available

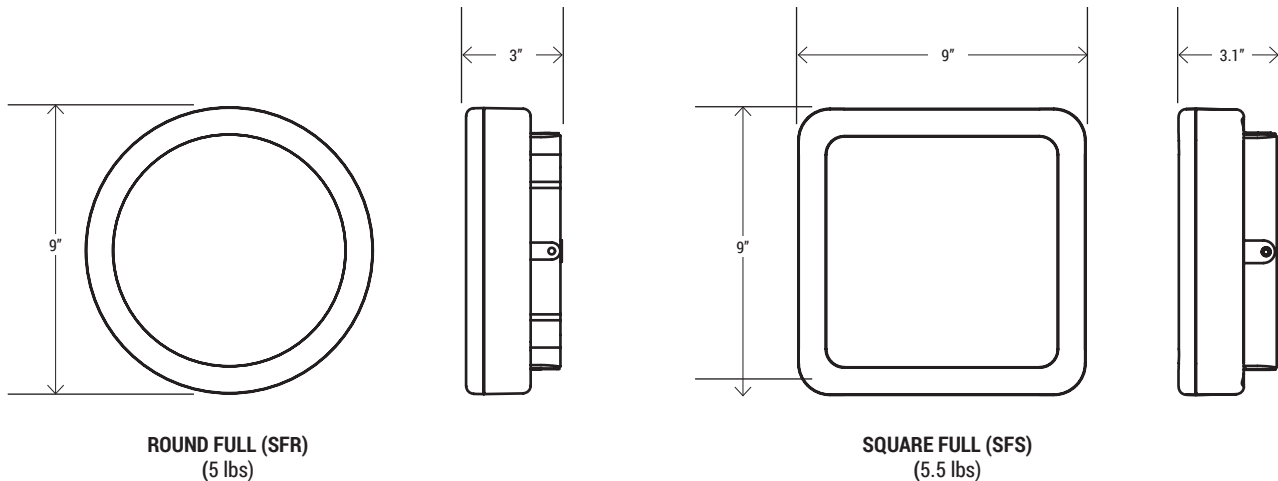
### TECHNICAL SUMMARY

SIZE/SHAPE:	Round (9") / Square (9")
WATTAGE:	30W/25W/20W
LUMEN/EFFICACY*	2400/2000/1500LM changeable (factory default 2400LM), 80LM/W
INPUT VOLTAGE	120-277Vac
AVAILABLE CCT/CRI	3000K, 3500K, 4000K, 5000K, Custom / 80 CRI standard
CONTROL	On/off with 0-10V dimming driver, on/off button photocell optional, Bi-level motion sensor optional.
VALIDATIONS	ETL & cETL wet location listed,, IP65 and IK10 rated, ADA compliant, FCC & RoHS compliant
LIFETIME	L70>100,000 hours, 5 year warranty
OPERATION TEMP.	-40°F ~ 122°F / 32°F ~ 122°F (with EM)
FINISH	Dark bronze, Matte Black, Matte White, Silver Gray

\*Delivered lumen may vary, refer to photometric for full performance data



### DIMENSIONS



(Note: Additional 1.7" will be added to the depth when mount with FLOW-JCC option)

# FLOW

## Architectural Surface Full Illumination Vandal Resistant Luminaire

MODEL NO.	TYPE	PROJECT/DATE
-----------	------	--------------

### ORDERING INFORMATION

\*Additional cost and/or lead time on customized fixtures may apply.

<input type="text"/>	-	<input type="text"/>	-	<input type="text"/>	-	<input type="text"/>	-	<input type="text"/>	-	<input type="text"/>	-	<input type="text"/>
Series	Style	Size	Lumen Package	Voltage	CCT	Control	Finish	EM Option				
<b>FLOW</b> (Surface mount)	<b>SFR -</b> (Surface full illuminate round)  <b>SFS -</b> (Surface full illuminate square)  (Wall mount or ceiling)	<b>9 - (9")</b>	<b>24LC -</b> (2400/2000/1500LM) <b>Custom*</b>	<b>U - (120-277V)</b>	<b>CC -</b> (30K/35K/40K/CCT Changeable) <b>50K - (5000K)*</b> <b>Custom*</b>	<b>C1 - (ON &amp; Off 0-10V dimmable driver)</b> <b>C2 - (ON &amp; Off button* integrated photocell)</b> <b>C3 - (Bi-level motion sensor)*</b>	<b>BK - (Matte Black)</b> <b>DB - (Dark Bronze)</b> <b>SG - (Silver Gray)</b> <b>WH - (Matte White)</b> <b>Custom RAL*</b>	<b>EM - (4W factory installed EM)*</b>				
			<i>*made to order</i>									

### \*AVAILABLE ACCESSORIES:



FLOW-SFR-CBC



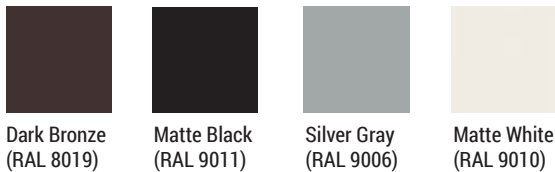
FLOW-SFS-CBC

\*Available accessories sold separately

#### \*Accessories

- FPFA-R** - Field installed Wall mount on/off remote photocell control up to 10 Defender/flow, 120Vac
- FPFA-U** - Field installed Wall mount on/off remote photocell control up to 10 Defender/flow, 208-277Vac
- FLOW-JCC-BK/DB/WH/SG** - Outdoor rated surface mount 4" Octagonal J-box with decorative conduit feed canopy cover for FLOW in matching finish to the luminaire, conduit is not included and not compliant to ADA
- FLOW-SFR-CBC-BL/DB/SG/WH** - Decorative cross blades cover for flow SFR (Round full illuminate)
- FLOW-SFS-CBC-BL/DB/SG/WH** - Decorative cross blades cover for flow SFS (Square full illuminate)

### FINISH REFERENCE



### SPECIFICATIONS

#### CONSTRUCTION

Die-cast aluminum housing with a full cut-off impact resistant prismatic PC Lens is fully gasketed with tubular silicone gasket.

#### FINISH

Exterior parts are protected by a rust and corrosion proof zinc-infused polyester powder coating applied through a 5-stage preparation process.

#### OPTICS/DIFFUSER

Full cut-off Impact resistant prismatic diffused PC Lens provides uniformed illumination and vandal protection.

#### ELECTRICAL

Long life 3-CCT changeable LED system with outdoor rated driver, 0-10V dimmable, with 120-277Vac multi-volt compatibility, factory installed button photocell option available.

#### MOUNTING

Surface mount to wall or ceiling.

#### VALIDATIONS

ETL & cETL wet location listed,, IP65 and IK10 rated, ADA compliant, FCC, RoHS compliant