

NANO

Architectural Post Top Luminaire

MODEL NO.	TYPE	PROJECT/DATE
-----------	------	--------------

KEY FEATURES

- Modern form design makes it ideal in architectural outdoor environment application
- Solite diffuser provide soft glow and visual comfort at night with zero up-light
- Single-piece die-cast aluminum housing rated for IP65 and IK08

TECHNICAL SUMMARY

WATTAGE:	40W, 30W, 25W
LUMEN/EFFICACY*	Available in factory pre-set 6000LM/40W, 5000LM/30W, 4000LM/25W or custom, 150LM/W
INPUT VOLTAGE	120-277Vac
AVAILABLE CCT/CRI	Available in factory pre-set 3000K, 4000K and 5000K or custom, 80CRI
CONTROL	On/off with 0-10V dimming driver, Bi-level motion sensor, 7-pin Nema twist lock base and ELL photocontrol
VALIDATIONS	ETL & cETL wet location Listed, IP65 and IK08 rated, DLC premium listed, DLC Luna listed, IDA dark sky compliant, FCC, RoHS
LIFETIME	L70>100,000 hours, 5 year warranty
DISTRIBUTION	Type V general distribution with solite glass diffuser
SURGE PROTECTION	10Kv/5Ka
OPERATION TEMP.	-40°F ~ 122°F
FINISH	Standard: Dark bronze (RAL 8019), Matte Black (RAL 9011) Matte White (RAL 9010), Silver Gray (RAL 9006)

*Delivered lumen may vary, refer to photometric for full performance data

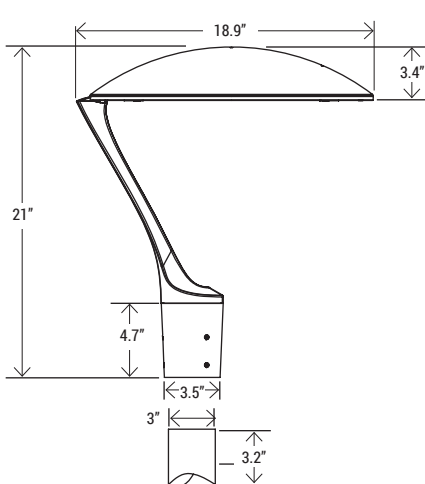


PTN SM
(Solo Post Top)

PTN PM
(Post Top)

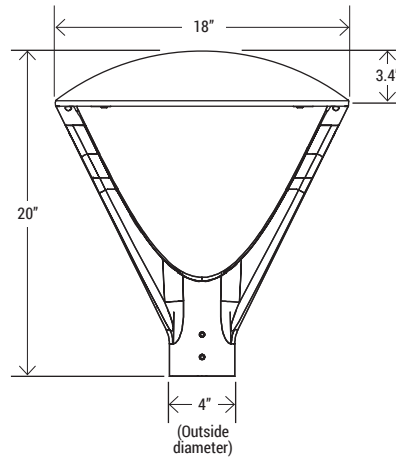


DIMENSIONS



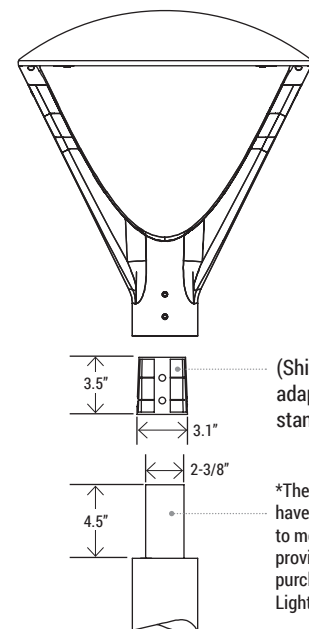
PTN SM (Solo Post Top)

EPA: 0.45 ft² / Weight: 18 lbs



PTN PM (Post Top)

EPA: 0.5 ft² / Weight: 20 lbs



(Ship with a removable adapter to slip fit onto standard 2-3/8 tenon)

*The light pole will need to have a 2-3/8 tenon in order to mount post top, it is either provided by other or can be purchased through Spitzer Lighting.

NANO

Architectural Post Top Luminaire

MODEL NO.	TYPE	PROJECT/DATE
-----------	------	--------------

ORDERING INFORMATION

*Additional cost and/or lead time on customized fixtures may apply.

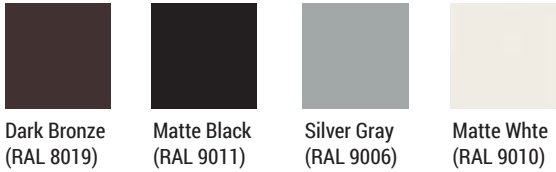
Series	Lumen Package	Voltage	CCT	Distribution	Lens Type	Control	Finish	Mounting
PTN	60L - (6000LM) 50L - (5000LM) 40L - (4000LM) Custom	U - (120-277V)	30K - (3000K) 40K - (4000K) 50K - (5000K) Custom	T5 - (Type V)	FR - (Solite lens)	C1 - (On/Off with 0-10V driver no dimming wires) C2 - (7-pin receptacle with short cap) C3 - (7-pin receptacle with photocell) C4 - (Bi-level microwave motion sensor)	BK - (Matte Black) DB - (Dark Bronze) SG - (Silver Gray)* WH - (Matte White)* CC - (Custom color)	PM - (Post top) SM - (Solo Post top)

*AVAILABLE ACCESSORIES:



PTN-HSS

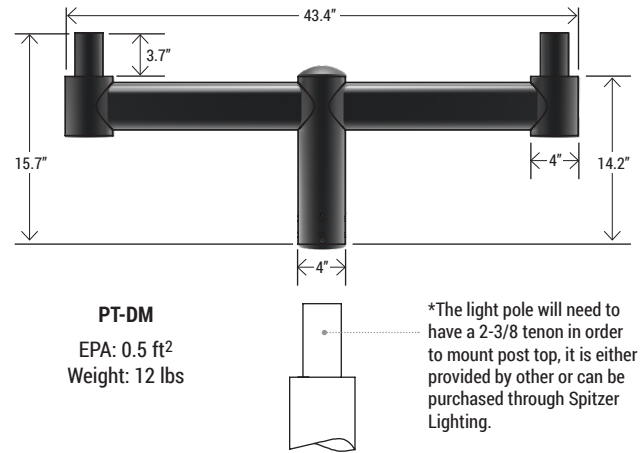
FINISH REFERENCE



*Accessories

- PT-DM-BK/DB/SG/WH - Pre-wired post top dual mount bracket
- PTN-HSS-BK/DB/SG/WH - House side shield
- PTN-CPP - Pre-install 0-10V dimming wires

*Available accessories sold separately



SPECIFICATIONS

CONSTRUCTION

Die-cast aluminum housing with a impact proof solite diffused glass Lens is fully gasketed with tubular silicone gasket.

FINISH

Exterior parts are protected by a rust and corrosion proof zinc-infused polyester powder coating.

OPTICS/DIFFUSER

Optical lenses are clear injection PC molded with solite diffused glass diffuser lens output a Type V distribution.

ELECTRICAL

Factory pre-set 30/40/50K changeable and three lumen output LED system, Outdoor rated Class 2 constant current 0-10V dimmable driver, Line voltage 120-277Vac, Motion sensor and photocell option available.

MOUNTING

Post-top (PM) & solo post-top (SM) configuration with optional dual post mount with (PT-DM) bracket fits into a 2-3/8" tenon.

VALIDATIONS

ETL & cETL wet location Listed, IP65 and IK08 rated, DLC premium listed, DLC Luna listed, IDA dark sky compliant, FCC, RoHS

NANO

Architectural Post Top Luminaire

MODEL NO.	TYPE	PROJECT/DATE
-----------	------	--------------



DLC Listed
Visit <https://www.designlights.org/qpl> to confirm qualification.)

SPITZER MODEL NUMBER	DLC PRODUCT ID
PTN-60L-U-30K-T5-FR-[C1,C2,C3,C4]-[BK,DB,SG,WH]-PM	S-3934LG
PTN-50L-U-40K-T5-FR-[C1,C2,C3,C4]-[BK,DB,SG,WH]-PM	S-LX674Q
PTN-50L-U-50K-T5-FR-[C1,C2,C3,C4]-[BK,DB,SG,WH]-PM	S-2K32H7
PTN-50L-U-30K-T5-FR-[C1,C2,C3,C4]-[BK,DB,SG,WH]-PM	S-GY6ZWW
PTN-60L-U-40K-T5-FR-[C1,C2,C3,C4]-[BK,DB,SG,WH]-PM	S-HT7WCW
PTN-60L-U-50K-T5-FR-[C1,C2,C3,C4]-[BK,DB,SG,WH]-PM	S-4210B5