

MODEL NO.	TYPE	PROJECT/DATE
-----------	------	--------------

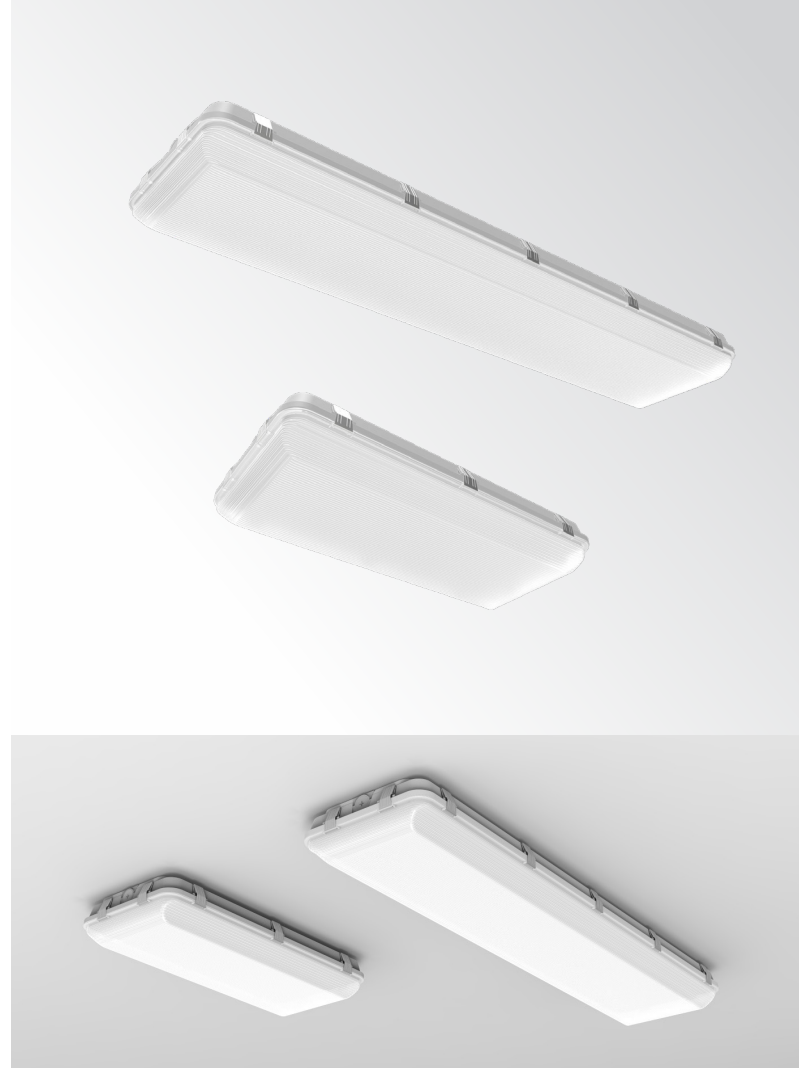
KEY FEATURES

- IP66/NEMA 4X enclosure rating housing
- Very high lumen output with field changeable lumen and CCT
- Listed for NSF/ANSI 2 corrosion, cleanability and sanitization requirement
- Wide deep frosted lens provide visual comforting large space coverage
- Cold-pack emergency driver option available for cold storage application

TECHNICAL SUMMARY

SIZE:	2', 4'
WATTAGE:	2FT: 90/80/70W, 4FT: 200/175/150W
LUMEN	2FT: 11,500/10,000/9500LM; 4FT: 27,000/24,000/21,000LM*
EFFICACY	135LM/W
INPUT VOLTAGE	120-277Vac
AVAILABLE CC	3500/4000/5000K CCT changeable
CRI	80CRI standard / 90CRI optional
CONTROL	0-10V, Bi-level microwave motion sensor with daylight harvesting
VALIDATIONS	UL wet location listed, IP66, NEMA 4X, NSF, FCC compliant
LIFETIME	L70>100,000 hours, 5 year warranty
OPTICS/DIFFUSER	High impact UV resist polycarbonate lens
OPERATION TEMP.	-40°F ~ 122°F / -4°F ~ 122°F (w/ EM1) / 32°F ~ 122°F (w/ EM2)

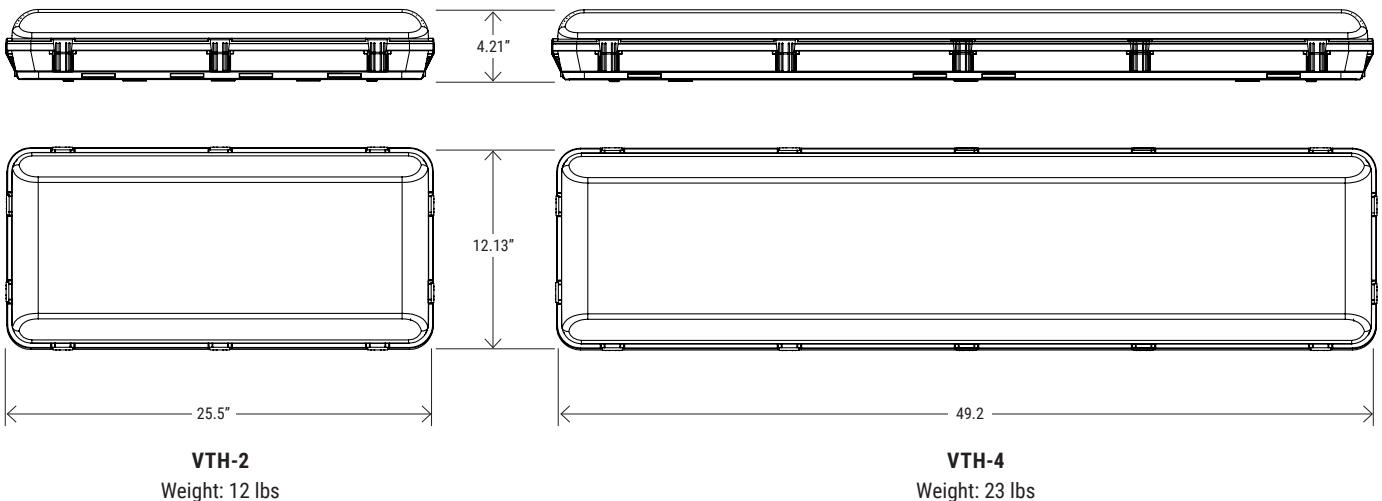
*Delivered lumen may vary, refer to photometric for full performance data



NEMA 4X



DIMENSIONS



MODEL NO.	TYPE	PROJECT/DATE
-----------	------	--------------

ORDERING INFORMATION

*Additional cost and/or lead time on customized fixtures may apply.

	-		-		-		-	
Series	Size	Lumen Package	Voltage	CCT	Control	Mounting	EM Option	
VTH - (High Output Vaportite)	2 - (2')**	115LC - (11500/10000/9500LM)	U - (120-277V)	CC - (35K/40K/50K/Color Changeable)	C1 - (ON & Off 0-10V dimming) C2 - (Bi-level microwave motion sensor with daylight harvesting)	SM - (Surface mount) PM - (V-hook pendant mount)	EM1 - (6W cold pack factory installed) EM2 - (16W factory installed)	
	4 - (4')**	270LC - (27000/24000/21000LM)						

**Default settings: VTH-2 115L (90W), 4000K / VTH-4 270L (200W), 4000K - PLEASE SELECT DESIRED SETTING BEFORE INSTALLATION -

AVAILABLE ACCESSORIES:



SP-EM6C
6W EM battery cold pack
Factory installed

*Accessories

- C2 Controls - ANT-9
- VTX-C3-8F - 8ft SJOW 3 conductors flexible rubber whip
- VTX-C4-8F - 8ft SJOW 4 conductors flexible rubber whip
- VTX-CHAIN - 8ft chain for V-hook pendant mount

SPECIFICATIONS

CONSTRUCTION

Rugged sealed with stainless steel latches, impact-resistant 5Va flame rating Polycarbonate housing with frosted PC lens.

FINISH

White

OPTICS/DIFFUSER

High impact UV resist polycarbonate lens

ELECTRICAL

Long life LED system, input voltages 120-277Vac with 2Kv surge protection, 35/40/50K CCT changeable, 0-10v dimming standard, motion sensor option available.

MOUNTING

Surface mount and suspend mount.

VALIDATIONS

UL wet location listed, IP66, NEMA 4X, NSF, FCC compliant driver, RoHS